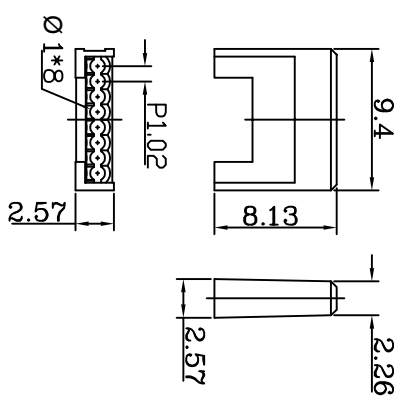
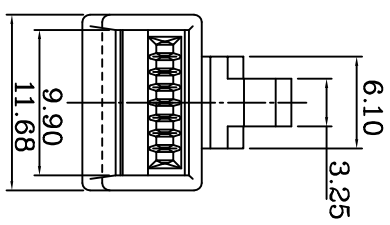
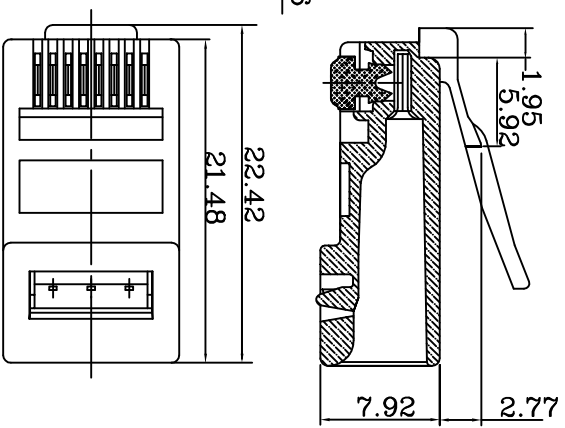
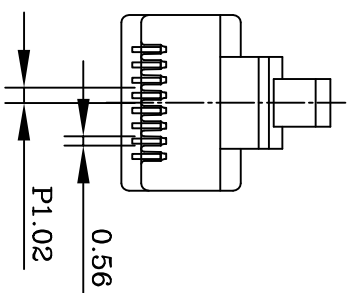
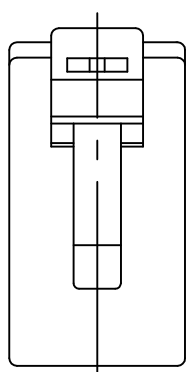


1 2 3 4 5 6 7



SPECIFICATIONS
1. ELECTRICAL:
 UL APPLICATIONS: 250 VOLTS AC MAX., AT 2 AMPS.
 DIELECTRIC WITHSTANDING VOLTAGE: 1000 VOLTS AC.
 INSULATION RESISTANCE: 100 M Ω.
 TERMININATION: RESISTANCE: 20m Ω MAX AFTER ENVIRONMENTAL TESTING.
2. MECHANICAL:
 CABLE-TO-PLUG TENSILE STRENGTH: 19.6N/PCS MIN.
 DURABILITY: 200 MATING CYCLES.
3. MATERIAL & FINISH:
 HOUSING: POLYCARBONATE, UL94V-0 OR UL94V-2.
 COLOR: TRANSPARENT OR OTHER COLOR ARE AVAILABLE.
 CONTACT BLADE: COPPER ALLOY.
 CONDUCTOR: SOLID WIRE, 24AWG, 26 AWG.
 GOLD PLATING: 50μ".

REV	DATE	MODIFICATION	DRAWN
	2013/09/06		

BLADE:	B
Drawing	
Mark	

		Quest Technology International, Inc. 11200 NW 138th St. Medley, FL 33178	
DIMENSION IN mm (Inch)	MATERIAL	图号 DWG NO.	NMP-8625
TOLERANCE UNLESS OTHERWISE SPECIFIED	PC	名称 TITLE	Cat.5E MODULAR PLUG SPEC FOR ROUND CABLE, STRANDED WIRE WITH INSERT
.X±0.20	.X°±5°	制图 DRAWN	CathyLi
.XX±0.10	.XX°±2°	审核 CHECKED	
审核 APPROVAL		比例 SCALE	2/1
		张数 SHEET	1/1
		更改 REV	A

1 2 3 4 5 6 7

ST-DR-009A