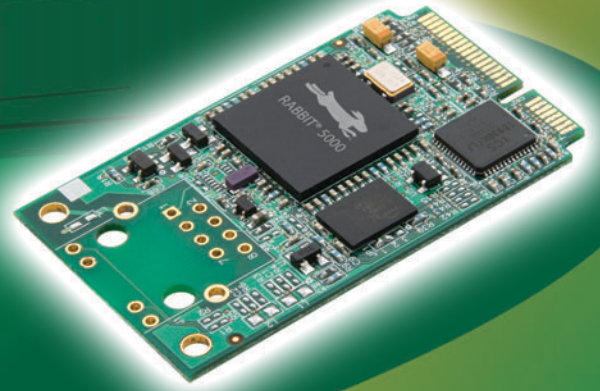


MiniCore™ RCM5700

Ultra-Compact Ethernet Module

The MiniCore RCM5700 offers a low-cost, ultra-compact, pin-compatible Ethernet control and communications solution for your embedded design.



Overview

The MiniCore line is Rabbit's smallest and most affordable embedded solution. Combined with reliable hardware and software, low-risk design features, and full web server capabilities, Rabbit offers an easy path to add reliable network connectivity and control to any system you design.

The MiniCore RCM5700 offers 10/100Base-T Ethernet connectivity for reliable wired network communications. With six serial ports, four configurable as SPI, the RCM5700 can easily embed into any existing or new design and is pin-compatible with current and future MiniCore products.

The Development Kit offers the essential tools and a complete Dynamic C® software development system to get you started quickly. It also contains an interface board with USB connections that will allow you to evaluate the RCM5700, and a prototyping board for application development.

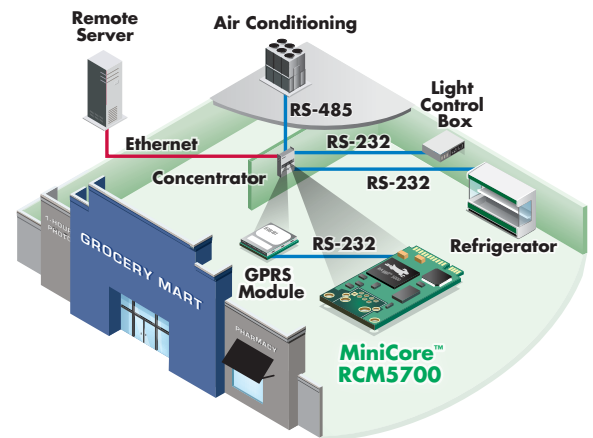
Standard Development Kit

This affordable development kit includes everything you need to get started.

\$99



Application Highlight



Potential Applications: Data archiving, tank monitoring, automatic meter reading, remote energy management, security and surveillance

Features and Benefits

- Rabbit® 5000 running at 50 MHz
- 10/100Base-T Ethernet
- 128 KB SRAM and 1 MB serial flash memory
- Up to 32 GP I/O lines and 6 serial ports
- Small size: 1.20" × 2.00" × 0.12"
- Web server functionality
- Low-profile form factor
- Easy-to-use integrated design environment

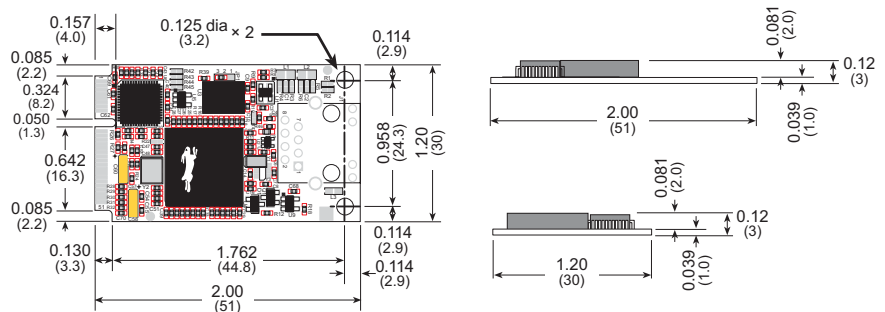
MiniCore™ RCM5700 Specifications

Features	RCM5700
Microprocessor	Rabbit® 5000 @ 50 MHz
EMI Reduction	Spectrum spreader for reduced EMI (radiated emissions)
Ethernet Port	10/100Base-T
Flash Memory	1 MB
SRAM	128 KB (Rabbit® 5000 on-chip)
Backup Battery	Connection for user-supplied backup battery (to support RTC)
General-Purpose I/O	Up to 35 parallel digital I/O lines configurable with 4 layers of alternate functions
Additional Inputs	Reset in
Additional Outputs	Status, reset out
External I/O Bus	Can be configured for 8 data lines and 6 address lines (shared with parallel I/O lines), plus I/O read/write
Serial Ports	6 high-speed, CMOS-compatible ports: <ul style="list-style-type: none"> All 6 configurable as asynchronous (with IrDA), 4 as clocked serial (SPI), and 2 as SDLC/HDLC 1 asynchronous clocked serial port shared with programming port
Serial Rate	Maximum asynchronous baud rate = CLK/8
Slave Interface	Slave port allows the RCM5700 to be used as an intelligent peripheral device slaved to a master processor
Real-Time Clock	Yes
Timers	Ten 8-bit timers (6 cascadable from the first), one 10-bit timer with 2 match registers, and one 16-bit timer with 4 outputs and 8 set/reset registers
Watchdog/Supervisor	Yes
Pulse-Width Modulators	4 channels synchronized PWM with 10-bit counter 4 channels variable-phase or synchronized PWM with 16-bit counter
Input Capture	2-channel input capture can be used to time input signals from various port pins
Quadrature Decoder	2-channel quadrature decoder accepts inputs from external incremental encoder modules
Power	3.15 - 3.45V DC 70mA @ 3.3V (without Ethernet) 200mA @ 3.3V (with Ethernet)
Operating Temperature	-40° C to +85° C
Humidity	5% to 95%, noncondensing
Connectors	Edge connectors for interface with 52-pin mini PCI Express socket
Board Size	1.20" × 2.00" × 0.12" (30 mm × 51 mm × 3 mm)
Pricing	
(Qty. 1/100) Part Number	\$35 / \$29.50 20-101-1235
Standard Development Kit Part Number	\$99 101-1274
Deluxe Development Kit Part Number	\$199 101-1275

Dynamic C Add-on Module



Rabbit Embedded Security Module
 AES encryption for transfer of sensitive data, and SSL/TLS for web security



Rabbit® 2900 Spafford Street Davis, CA 95618 USA Tel 1.888.411.7228 Tel 530.757.8400 Fax 530.757.8402

91001511
A2/409

Copyright© 2009, Rabbit. All rights reserved. Rabbit is a Digi International brand. Rabbit and RabbitCore are trademarks or registered trademarks of Digi International Inc. in the United States and other countries worldwide. All other trademarks are the property of their respective owners.