



DSM9H & DSM9X RANGES

SIL3 PLe INCREMENTAL ENCODERS



DSM9H



DSM9X



Features

- Usable up to SIL3 and Cat.4 / PLe according IEC 61508 / EN ISO 13849
- Suitable for safe motor feedback according to IEC 61800-5-2
- Especially designed for heavy-duty (steel, paper, wood, mills, cranes...). Compact and robust conception. Excellent resistance to shocks/vibrations
- Aluminium (DSM9H) or stainless steel (DSM9X) version available
- 90mm diameter encoder, 11 mm or 12 mm solid shaft
- High temperature performance - 20°C to +85°C
- Power supply 5Vdc or 11/30Vdc
- Digital TTL/RS422 or HTL Push-pull or sine/cosine 1Vpp output
- Available resolution up to 2048 ppr
- Connector or cable output – side or end orientation



SPECIFICATIONS

Mechanical

	DSM9H	DSM9X
Material	Cover: powder coated aluminum Body: aluminum Shaft: AISI 303 stainless steel	Cover: stainless steel Body: stainless steel Shaft: AISI 303 stainless steel
Bearings	6100 series - sealed	
Maximum Loads	Axial: 100 N Radial: 200 N	
Shaft Inertia	< 23,500 g.mm ²	
Shaft Seal	Double lips	
Static/Dynamic torque DSM9H	20 / 150 mN.m	
Static/Dynamic torque DSM9X	40 / 200 mN.m	
Permissible max. speed	9,000 RPM	
Continuous max. speed ^(A)	6,000 RPM	
Theoretical mechanical lifetime L_{10h} ^(A)	7.25 X 10 ⁹ turns / 20,147 hours	
Encoder weight (approx.)	1.0 kg	2.0 kg

^(A) **Continuous max. speed – ½ max. load – according to ISO 281: 1990, L₁₀**

Temperature Conditions

Operating temperature	- 20 ... + 85 °C (encoder T°)
Storage temperature	- 20 ... + 85 °C

Electrical Characteristics / Functional Safety Parameters ^(B)

Electronic Version	Output signals	Operating Voltage +V	Supply current	Current per channel pair	Short circuits proof	Reverse polarity protected	PFD	PFH	MTTFd	DC
2G2	Digital TTL RS422	5V +/-5%	100mA with no load	40mA	Yes	Yes	7.51E-05	8.58E-10	1331	HIGH
5G2		11-30V			Not to +V		9.52E-05	1.09E-09	1050	
5G5	Digital HTL				Yes		9.52E-05	1.09E-09	1050	
2WT	Sine Cosine 1Vpp	5V +/-5%	70mA with no load	10mA	Yes		4.29E-05	4.90E-10	2328	
5WT		11-30V			Not to +V		6.60E-05	7.53E-10	1515	

^(B) **Safety mission time:** 20 years

Standards Conformity

Protection(EN 60529)	IP65 - Option IP66
Humidity (EN 60068-2-38)	93% @ 65°C
Shock (EN60068-2-27)	≤ 500 g (during 6 ms)
Vibration (EN60068-2-6)	≤ 200 g (10 ... 2,000 Hz)
EMC Immunity Test	EN 61000-6-2, increased levels
EMC Emission Test	EN 61000-6-4, increased levels
Isolation	1000 Veff
Salt Spray (EN 60068-2-11 part 2)	96h (Aluminum), 168h (Stainless Steel)
Functional safety	IEC 61508
	IEC 62061
	ISO 13849-1
	IEC 61800-5-2
	IEC 62061
Encoders usable up to SIL3 / PLe with external specific requirements, see safety user manual for details.	
Z and Z/ are not safety signals.	

Electrical Connections

		0V	+V	A or S	B or C	Z	A/ or S/	B/ or C/	Z/	Ground
G6	M23 - 12 pins CW	1	2	3	4	5	6	7	8	Connector body
G8	M23 - 12 pins CCW	10 + 11	2 + 12	8	5	3	1	6	4	Connector body
G3	PVC cable 8 wires 8230/020	WH white	BN brown	GN green	YE yellow	GY grey	PK pink	BU blue	RD red	General shielding
GP	PUR cable 12 wires 8230/050	WH white + WH/GN white /green	BU blue + BN/GN brown / green	GY grey	BN brown	RD red	PK pink	GN green	BK black	General shielding

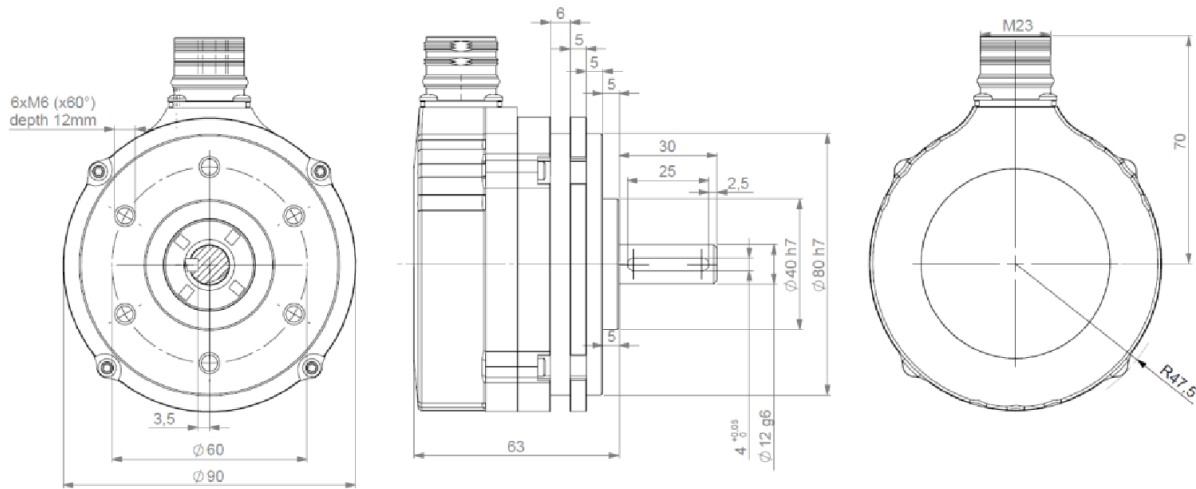
Available Resolutions

1024, 2048

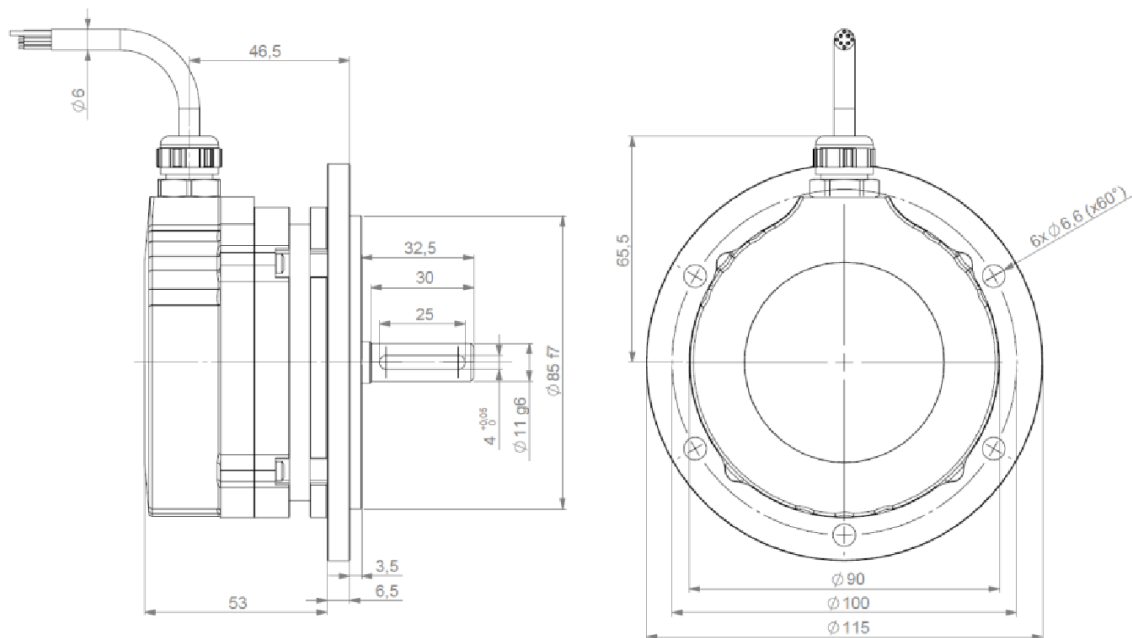


DIMENSIONS

DSM9H / DSM9X – radial M23 connector



DSM9H / DSM9X radial cable - with 115mm flange





ORDERING OPTIONS

Example : DSM9X11 / 01 / 5G29 // 01024 // GPR050 // CSA5

Contact the factory for special versions, ex: resolution, connection, flange...

Family	DSM9X	11	/	01	/	5G29	//	01024	//	GPR050	//	CSA5
DSM9H: Aluminum bearings housing DSM9X: Stainless steel version												
Shaft												
11: 11mm 12: 12mm												
IP												
01: IP66 option												
Supply + Output stage + Output signals												
Digital Signals: 2: 5Vdc G2: driver 5Vdc RS422 G5: push-pull 9: AA/ BB/ ZZ/ 5: 11- 30Vdc G2: driver 5Vdc RS422 G5: push-pull 9: AA/ BB/ ZZ/												
Sine-wave signals: 2: 5Vdc WT: sine 1Vpp N: SS/ CC/ ZZ/ 5: 11- 30Vdc WT: sine 1Vpp N: SS/ CC/ ZZ/												
Resolution												
1024, 2048: 2048 max												
Connection + Orientation												
G6: M23 12 pins CW A: axial R: radial G8: M23 12 pins CCW A: axial R: radial GP: PUR cable 12 wires A: axial cable (example: 020 = 2m, 050 = 5m) R: radial cable (example: 020 = 2m, 050 = 5m) G3: PVC cable 8 wires A: axial cable (example: 020 = 2m, 050 = 5m) R: radial cable (example: 020 = 2m, 050 = 5m)												
Flange												
CS A4: positive lock by key with aluminum 115 mm flange CS A5: positive lock by key with stainless steel 115 mm flange CS ****: positive lock by key without flange												



AGENCY APPROVALS & CERTIFICATIONS



BEI Sensors SAS

Espace Européen de l'Entreprise
9, rue de Copenhague
B.P. 70044 Schiltigheim
F 67013 Strasbourg Cedex

Tél : +33 (0)3 88 20 80 80
Fax : +33 (0)3 88 20 87 87
Mail : info@beisensors.com
Web: www.beisensors.com

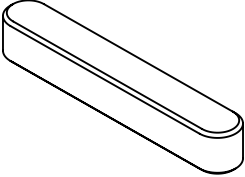
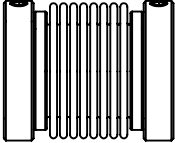
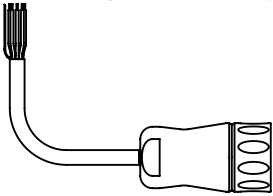


GENERAL NOTES

For a safe installation according to the required safety level needed in the application, refer to the user safety manual - during the installation on the equipment, a quick installation guide is provided with each encoder.



ACCESSORIES

<p>Metal shaft key 4mm square by 25mm long</p> 	<p>9435/001</p>	<p>DSM9H DSM9X</p>
<p>Safety Bellows Couplings For 11mm, 12mm shaft</p> 	<p>9404/S/11-11 9404/S/12-12</p>	<p>DSM9H DSM9X</p>
<p>Standard Mating Connector 2m, 5m, 7m, 10m Mating Cable Assembly</p> 	<p>9416/076-8230/020-G6-020 = 2m 9416/076-8230/020-G6-050 = 5m 9416/076-8230/020-G6-070 = 7m 9416/076-8230/020-G6-100 = 10m</p> <p>For use with M23 connector type G6</p>	<p>DSM9H DSM9X</p>

Made in France

Page 5

Sensata Technologies, Inc. ("Sensata") data sheets are solely intended to assist designers ("Buyers") who are developing systems that incorporate Sensata products (also referred to herein as "components"). Buyer understands and agrees that Buyer remains responsible for using its independent analysis, evaluation and judgment in designing Buyer's systems and products. Sensata data sheets have been created using standard laboratory conditions and engineering practices. Sensata has not conducted any testing other than that specifically described in the published documentation for a particular data sheet. Sensata may make corrections, enhancements, improvements and other changes to its data sheets or components without notice.

Buyers are authorized to use Sensata data sheets with the Sensata component(s) identified in each particular data sheet. HOWEVER, NO OTHER LICENSE, EXPRESS OR IMPLIED, BY ESTOPPEL OR OTHERWISE TO ANY OTHER SENSATA INTELLECTUAL PROPERTY RIGHT, AND NO LICENSE TO ANY THIRD PARTY TECHNOLOGY OR INTELLECTUAL PROPERTY RIGHT, IS GRANTED HEREIN. SENSATA DATA SHEETS ARE PROVIDED "AS IS". SENSATA MAKES NO WARRANTIES OR REPRESENTATIONS WITH REGARD TO THE DATA SHEETS OR USE OF THE DATA SHEETS, EXPRESS, IMPLIED OR STATUTORY, INCLUDING ACCURACY OR COMPLETENESS. SENSATA DISCLAIMS ANY WARRANTY OF TITLE AND ANY IMPLIED WARRANTIES OF MERCHANTABILITY, FITNESS FOR A PARTICULAR PURPOSE, QUIET ENJOYMENT, QUIET POSSESSION, AND NON-INFRINGEMENT OF ANY THIRD PARTY INTELLECTUAL PROPERTY RIGHTS WITH REGARD TO SENSATA DATA SHEETS OR USE THEREOF.

All products are sold subject to Sensata's terms and conditions of sale supplied at www.sensata.com SENSATA ASSUMES NO LIABILITY FOR APPLICATIONS ASSISTANCE OR THE DESIGN OF BUYERS' PRODUCTS. BUYER ACKNOWLEDGES AND AGREES THAT IT IS SOLELY RESPONSIBLE FOR COMPLIANCE WITH ALL LEGAL, REGULATORY AND SAFETY-RELATED REQUIREMENTS CONCERNING ITS PRODUCTS, AND ANY USE OF SENSATA COMPONENTS IN ITS APPLICATIONS, NOTWITHSTANDING ANY APPLICATIONS-RELATED INFORMATION OR SUPPORT THAT MAY BE PROVIDED BY SENSATA.

Mailing Address: Sensata Technologies, Inc., 529 Pleasant Street, Attleboro, MA 02703, USA.

CONTACT US

Americas

+1 (800) 350 2727
sensors@sensata.com

Europe, Middle East & Africa

+33 (3) 88 20 8080
position-info.eu@sensata.com

Asia Pacific

sales.isasia@list.sensata.com
China +86 (21) 2306 1500
Japan +81 (45) 277 7117
Korea +82 (31) 601 2004
India +91 (80) 67920890
Rest of Asia +886 (2) 27602006
ext 2808