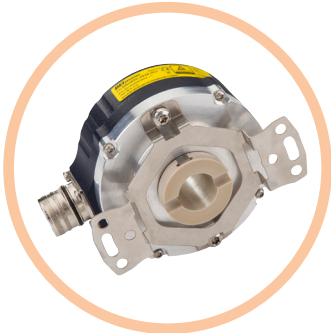




DSU9H & DSU9X MODELS

SIL3 PLe INCREMENTAL ENCODERS



DSU9H



DSU9X



Features

- Usable up to SIL3 and Cat.4 / PLe according to IEC 61508 / EN ISO 13849
- Suitable for safe motor feedback according to IEC 61800-5-2
- Especially designed for heavy-duty applications (steel, paper, wood, mills, cranes...) Compact and robust design. Excellent resistance to shock and vibration
- Stainless steel version available (DSU9X)
- 90mm encoder, 30mm standard through shaft, PEEK reduction hub available
- High protection level: IP66 (DSU9X), IP65 (DSU9H)
- High temperature performance -20°C to $+85^{\circ}\text{C}$
- Power supply 5Vdc or 11/30Vdc
- Digital TTL/RS422 or HTL Push-pull or sine/cosine 1Vpp output
- Available resolution up to 2048 ppr
- Connector or cable output – side orientation
- Adapted anti-rotation system



SPECIFICATIONS

Mechanical

	DSU9H	DSU9X
Material	Cover: powder coated aluminum Body: aluminum	Cover: AISI 303 stainless steel Body: AISI 303 stainless steel
	Shaft: AISI 303 stainless steel	
Ball Bearings	6807 - Sealed	
Maximum Loads	Axial: 25 N	
	Radial: 50 N	
Shaft Inertia	< 120,000 g.mm ²	< 125,000 g.mm ²
Static/Dynamic torque	30 / 300 mN.m	250 / 600 mN.m
Permissible max. speed	6000 RPM	3000 RPM
Continuous max. speed	3000 RPM	1500 RPM
Theoretical mechanical lifetime L_{10h} ^(A)	> 18 X 10 ⁹ turns / 100,000 hours	> 9 X 10 ⁹ turns / 100,000 hours
Encoder weight (approx.)	0.65 kg	1.3 kg

^(A) **Continuous max. speed** – ½ max. load – according to ISO 281: 1990, L_{10}

Temperature Conditions

Operating temperature	- 20 ... + 85 °C (encoder T°)
Storage temperature	- 20 ... + 85 °C

Electrical Characteristics / Functional Safety Parameters ^(B)

Electronic Version	Output signals	Operating Voltage +V	Supply current	Current per channel pair	Short circuit proof	Reverse polarity protected	PFD	PFH	MTTFd	DC
2G2	Digital TTL	5V +/-5%	100mA with no load	40mA	Yes	Yes	5.63E-05	6.42E-10	1547	HIGH
5G2	RS422	11-30V			Not to +V		7.63E-05	8.72E-10	1180	
5G5	Digital HTL				Yes		7.63E-05	8.72E-10	1180	
2WT	Sine Cosine 1Vpp	5V +/-5%	70mA with no load	10mA	Yes		4.29E-05	4.90E-10	2328	
5WT		11-30V			Not to +V		6.60E-05	7.53E-10	1515	

^(B) **Safety mission time:** 20 years

Standards Conformity

	DSU9H	DSU9X
Protection (EN 60529)	IP65	IP66
Humidity (EN 60068-2-38)	93% @ 65°C	
Shock (EN 60068-2-27)	≤ 500 g (during 6 ms)	
Vibration (EN 60068-2-6)	≤ 200 g (10 ... 2 000 Hz)	
EMC Immunity Test	EN 61000-6-2, increased levels	
EMC Emission Test	EN 61000-6-4, increased levels	
Isolation	1000 Veff	
Salt Spray (EN 60068-2-11 part 2)	96h	168h
Functional safety	IEC 61508	
	IEC 62061	
	ISO 13849-1	
	IEC 61800-5-2	
	IEC 62061	
Encoders usable up to SIL3 / PLe with external specific requirements, see safety user manual for details.		
Z and Z/ are not safety signals.		

Electrical Connections

		0V	+V	A or S	B or C	Z	A/ or S/	B/ or C/	Z/	Ground
G6	M23 - 12 pins CW	1	2	3	4	5	6	7	8	Connector body
G8	M23 - 12 pins CCW	10 + 11	2 + 12	8	5	3	1	6	4	Connector body
G3	PVC cable 8 wires 8230/020	WH white	BN brown	GN green	YE yellow	GY grey	PK pink	BU blue	RD red	General shielding
GP	PUR cable 12 wires 8230/050	WH white + WH/GN white /green	BU blue + BN/GN brown / green	GY grey	BN brown	RD red	PK pink	GN green	BK black	General shielding

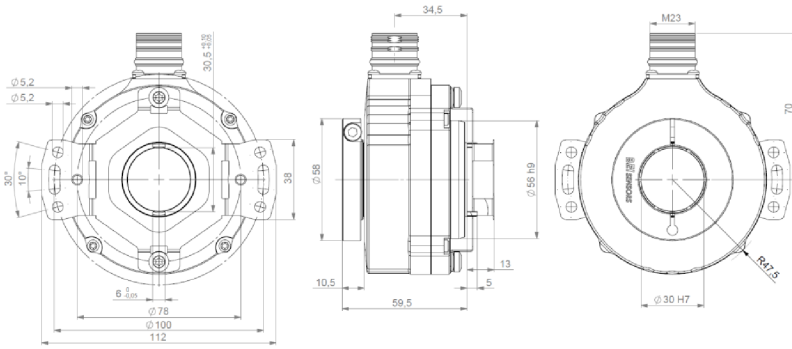
Available Resolutions

1024 2048



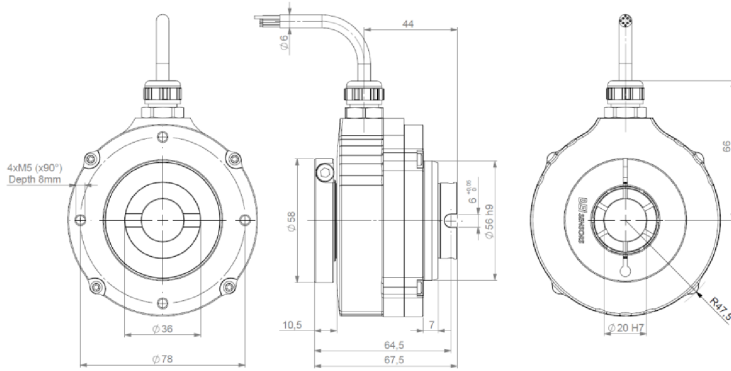
DIMENSIONS

DSU9H – radial M23 connector with 9445/045 anti-rotation

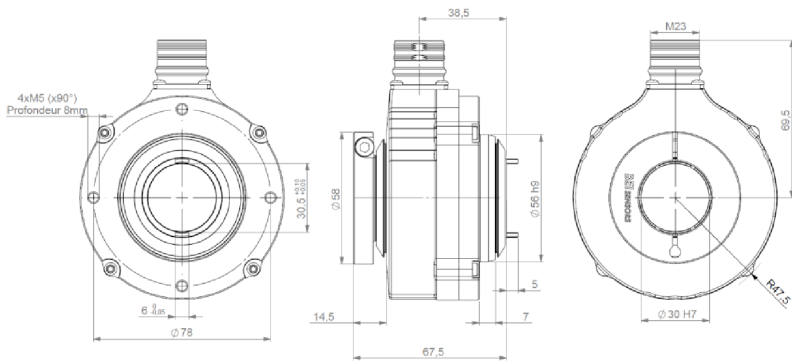


		9445/045	9445/046
Permissible misalignments	Axial	+/- .5mm	+/- 1mm
	Radial	+/- 0.3mm	+/- 0.2mm
	Perpend.	+/- 3°	+/- 5°
	Runout	0.1mm	0.1mm
Angular rigidity		540 N.m/rad	530 N.m/rad

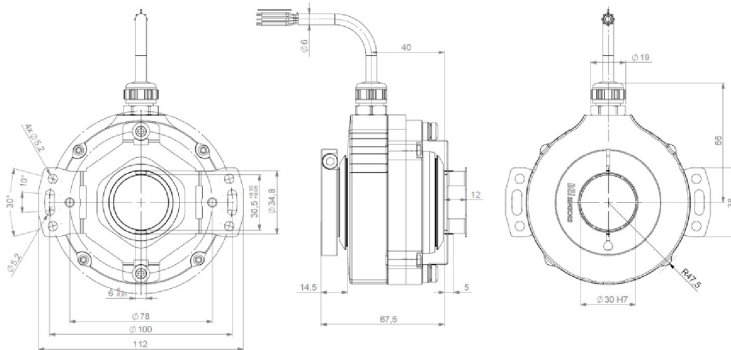
DSU9H radial cable and 20mm reduction bulb



DSU9X – radial M23 connector



DSU9X radial cable and stator coupling 9445/045





DSU9H/DSU9X ORDERING OPTIONS

Example: DSU9H30 // 5G29 // 01024 // GPR050 // ** DW**

Contact the factory for special versions, ex: resolution, connection, flange...

Family	DSU9H	30	//	5G29	//	01024	//	GPR050	//	**	DW**
DSU9H: Aluminum DSU9X: Stainless											
Shaft											
30: 30mm (reduction hubs, 20 mm and 25mm available)											
Supply + Output stage + Output signals											
Digital Signals: 2: 5Vdc G2: driver 5Vdc RS422 9: AA/ BB/ ZZ/ 5: 11- 30Vdc G2: driver 5Vdc RS422 G5: push-pull 9: AA/ BB/ ZZ/											
Analog Sine Cosine signals: 2: 5Vdc WT: sine 1Vpp N: SS/ CC/ ZZ/ 5: 11- 30Vdc WT: sine 1Vpp N: SS/ CC/ ZZ/											
Resolution											
1024, 2048											
Connection + Orientation											
G6: M23 12 pins CW R: radial G8: M23 12 pins CCW R: radial GP: PUR cable 12 wires R: radial cable (example: 020 = 2m) G3: PVC cable 8 wires R: radial cable (example: 020 = 2m)											
Reduction Hub											
** : No reduction hub U2 : Reduction hub											
Anti-rotation											
DW** : 9445/045 **** : No antirotation											



AGENCY APPROVALS & CERTIFICATIONS



BEI Sensors SAS

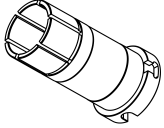
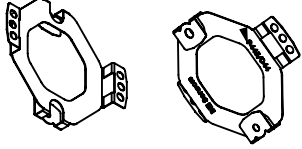
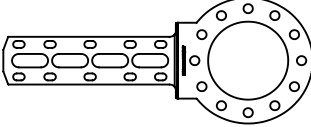
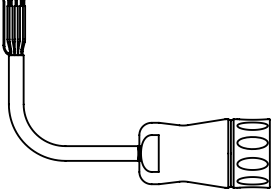
Espace Européen de l'Entreprise
9, rue de Copenhague
B.P. 70044 Schiltigheim
F 67013 Strasbourg Cedex

Tél : +33 (0)3 88 20 80 80
Fax : +33 (0)3 88 20 87 87
Mail : info@beisensors.com
Web : www.beisensors.com

GENERAL NOTES

For a safe installation according to the required safety level needed in the application, refer to the user safety manual - during the installation on the equipment, a quick installation guide is provided with each encoder either in printed form in the shipping box or in digital form on the website.

ACCESSORIES

<p>Reduction Hub To create 20mm, 25mm and 25,4mm (1.00 in) ID bore on DSU9</p> 	<p>9418/S20 9418/S25 9418/S25,4</p>	<p>DSU9H DSU9X</p>
<p>Safety Rated Flexmount (hardware included)</p> 	<p>M9445/045</p>	<p>DSU9H DSU9X</p>
<p>Safety Encoder Tether Arm (hardware included)</p> 	<p>M9445/046</p>	<p>DSU9H DSU9X</p>
<p>Standard Mating Connector 2m, 5m, 7m, 10m Mating Cable Assembly</p> 	<p>9416/076-8230/020-G6-020 = 2m 9416/076-8230/020-G6-050 = 5m 9416/076-8230/020-G6-070 = 7m 9416/076-8230/020-G6-100 = 10m</p> <p>For use with M23 connector type G6</p>	<p>DSU9H DSU9X</p>

Made in France

Page 5

Sensata Technologies, Inc. ("Sensata") data sheets are solely intended to assist designers ("Buyers") who are developing systems that incorporate Sensata products (also referred to herein as "components"). Buyer understands and agrees that Buyer remains responsible for using its independent analysis, evaluation and judgment in designing Buyer's systems and products. Sensata data sheets have been created using standard laboratory conditions and engineering practices. Sensata has not conducted any testing other than that specifically described in the published documentation for a particular data sheet. Sensata may make corrections, enhancements, improvements and other changes to its data sheets or components without notice.

Buyers are authorized to use Sensata data sheets with the Sensata component(s) identified in each particular data sheet. HOWEVER, NO OTHER LICENSE, EXPRESS OR IMPLIED, BY ESTOPPEL OR OTHERWISE TO ANY OTHER SENSATA INTELLECTUAL PROPERTY RIGHT, AND NO LICENSE TO ANY THIRD PARTY TECHNOLOGY OR INTELLECTUAL PROPERTY RIGHT, IS GRANTED HEREIN. SENSATA DATA SHEETS ARE PROVIDED "AS IS". SENSATA MAKES NO WARRANTIES OR REPRESENTATIONS WITH REGARD TO THE DATA SHEETS OR USE OF THE DATA SHEETS, EXPRESS, IMPLIED OR STATUTORY, INCLUDING ACCURACY OR COMPLETENESS. SENSATA DISCLAIMS ANY WARRANTY OF TITLE AND ANY IMPLIED WARRANTIES OF MERCHANTABILITY, FITNESS FOR A PARTICULAR PURPOSE, QUIET ENJOYMENT, QUIET POSSESSION, AND NON-INFRINGEMENT OF ANY THIRD PARTY INTELLECTUAL PROPERTY RIGHTS WITH REGARD TO SENSATA DATA SHEETS OR USE THEREOF.

All products are sold subject to Sensata's terms and conditions of sale supplied at www.sensata.com SENSATA ASSUMES NO LIABILITY FOR APPLICATIONS ASSISTANCE OR THE DESIGN OF BUYERS' PRODUCTS. BUYER ACKNOWLEDGES AND AGREES THAT IT IS SOLELY RESPONSIBLE FOR COMPLIANCE WITH ALL LEGAL, REGULATORY AND SAFETY-RELATED REQUIREMENTS CONCERNING ITS PRODUCTS, AND ANY USE OF SENSATA COMPONENTS IN ITS APPLICATIONS, NOTWITHSTANDING ANY APPLICATIONS-RELATED INFORMATION OR SUPPORT THAT MAY BE PROVIDED BY SENSATA.

Mailing Address: Sensata Technologies, Inc., 529 Pleasant Street, Attleboro, MA 02703, USA.

CONTACT US

Americas

+1 (800) 350 2727
sensors@sensata.com

Europe, Middle East & Africa

+33 (3) 88 20 8080
position-info.eu@sensata.com

Asia Pacific

sales.isasia@list.sensata.com
China +86 (21) 2306 1500
Japan +81 (45) 277 7117
Korea +82 (31) 601 2004
India +91 (80) 67920890
Rest of Asia +886 (2) 27602006
ext 2808