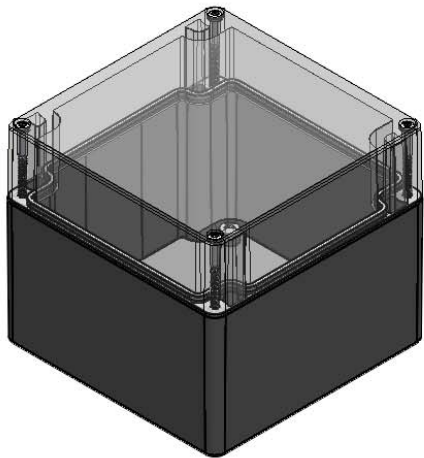
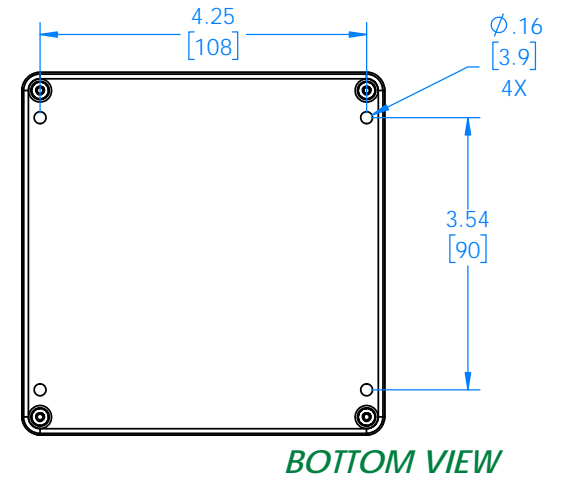
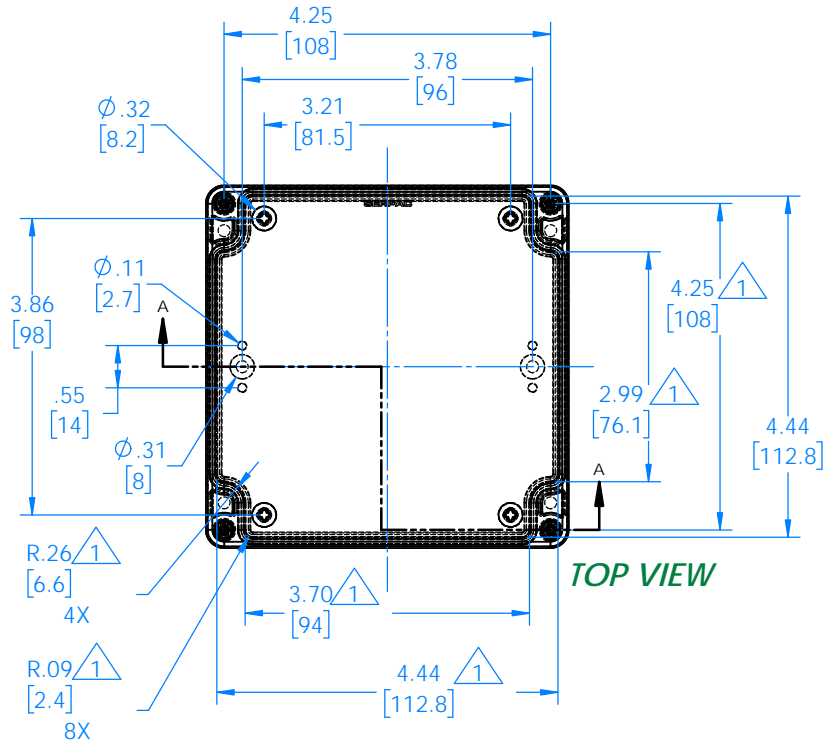
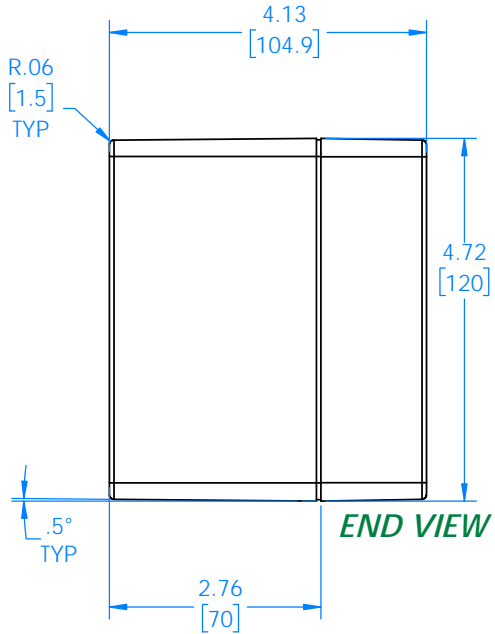


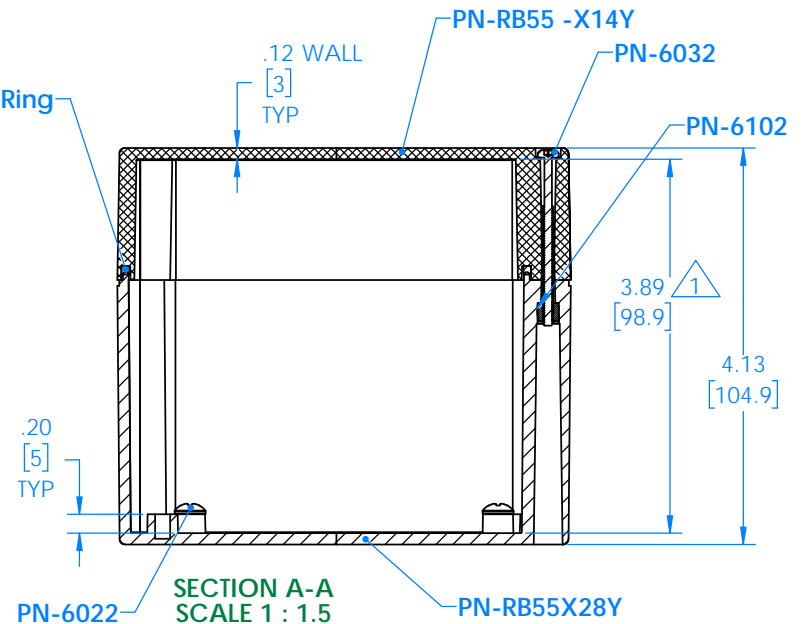
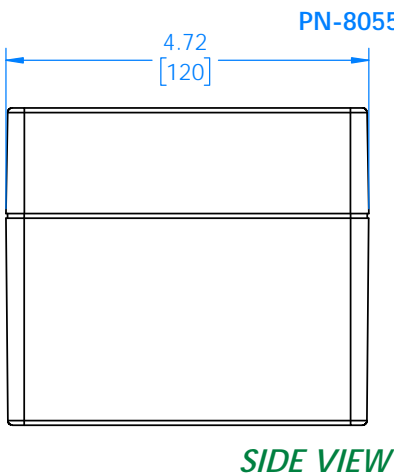
SERPAC RB55X14Y28Y

Electronic Enclosures

2



RB55X14C28G 2
(Part shown, no material (X) specified)



PN	Description
RB55-X14Y	(1) RB55X14Y, Top
RB55X28Y	(1) RB55X28Y, Bottom
8055	(1) RB55 O-Ring
6032	(4) #4-40 Captive Torx Hd Screw
6022	(4) #10 High/Low Pan Hd x 1/4"
6102	(4) #4-40 Threaded Insert

- 1 = INTERIOR DIMENSIONS (@ BOTTOM)
- 2 = STANDARD COLORS (Y) ARE: BLACK (B), CLEAR (C) AND GRAY (G)
TOPS (T) AND BOTTOMS (B). ALL POSSIBLE COMBINATIONS
STANDARD MATERIALS (X) ARE: POLYCARBONATE (P) AND ABS (A)

-Watertight enclosure meets or exceed Nema 4 and or IP67.

Dimensions represent Polycarbonate material.
Dim's in Inch
[mm]