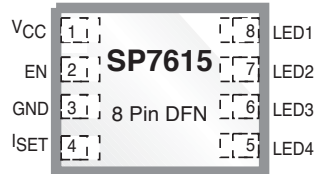


Four Channel Constant Current LED Driver

FEATURES

- Cost Effective LED driver
- Constant current output ideal for Driving LED strings
- Four Channel LED Driver provides matched LED current
- Current adjusted via an external resistor
- PWM dimming possible
- Small 2mm x 3mm DFN package
- Outputs can be connected in parallel to increase drive
- Constant current for wide cathode voltage range (1.0V to 16V)
- Highly integrated design, minimal components
- Thermal shutdown protects the driver
- Available in Lead Free, RoHS Packaging: DFN and HSOICN



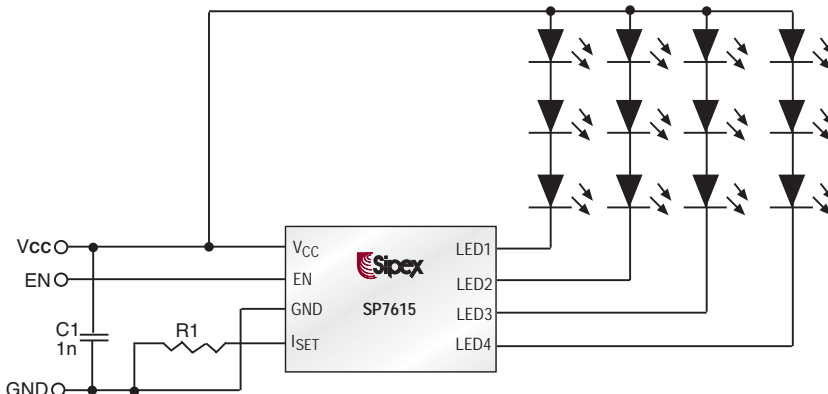
APPLICATIONS

- Next Generation Mobile Phones
- PDA, DSC, MP3 Players
- Handheld Computers
- LCD Display Modules
- Keyboard Backlight
- LED Displays

DESCRIPTION

The SP7615 is a linear constant current driver designed to drive multiple LEDs in series from a high input voltage rail. The driver acts as a high current matched, four-channel current source ensuring constant LED current for a range of input voltages. The SP7615 allows implementing the lowest cost LED driver for a variety of applications. Internal circuitry maintains the pre-set constant current output for a wide voltage range at the LED outputs (LED1,2,3,4). LED current can be adjusted up to 125mA per string with an external resistor. The dimming can be achieved by controlling the I_{SET} input or by feeding a PWM signal to the EN pin. Fast EN turn-on and turn-off time allows for very fast PWM dimming frequencies, completely eliminating flicker. The built-in thermal protection automatically adjusts LED current to prevent overheating.

TYPICAL APPLICATION SCHEMATIC



ABSOLUTE MAXIMUM RATINGS

V_{CC}, V_{LED1}, V_{LED2}, V_{LED3},
 V_{LED4}, Voltage to GND0.3V to 16V
 EN Voltage to GND..... 0 to (V_{CC} + 0.3V)
 I_{SET} Voltage to GND.....0 to (V_{CC} + 0.3V)
 or 6V, whichever is lower
 Output Current per LED (I_{OUT}) 150mA
 Power Dissipation per Package
 8-pin DFN at T_A = 85°C 1.1W
 Junction Temperature+150°C
 Storage Temperature -55°C to +150°C

ESD Level 2kV HBM
 DFN Thermal Resistance.....59°C/W
 These are stress ratings only and functional operation of the device at these ratings or any other above those indicated in the operation sections of the specifications below is not implied. Exposure to absolute maximum rating conditions for extended periods of time may affect reliability.

ELECTRICAL CHARACTERISTICS

4.5V < V_{CC} < 16V , V_{EN} = 5V, V_{LED1} = V_{LED2} = V_{LED3} = V_{LED4} = 1.0V, R_{SET} = 10kΩ or I_{SET} = 126μA, -40 < T_A < 85°C, Unless otherwise noted. Typical numbers are for T_A = 25°C.

PARAMETER	MIN.	TYP.	MAX.	UNITS	CONDITIONS
Supply Voltage	4.5	5	16	V	
Quiescent Supply Current		20	39	mA	I _{LED1} = I _{LED2} = I _{LED3} = I _{LED4} = 126mA
Output/I _{SET} Current Multiplication Ratio	900	1000	1200		
LED Current (per diode)		126		mA	
LED to LED Current Matching	-2		+2	%	
LED Current Line Voltage Regulation		0.15	0.6	%/V	I _{OUT} change per volt V _{CC} change
LED Current Load Voltage Regulation		2	4	%/V	0.4V < V _{LED} < 5V, I _{LED} = 25mA
		9		%/V	1.0V < V _{LED} < 5V, I _{LED} = 126mA
LED Current Thermal Regulation		0.1		%/°C	I _{LED} = 126mA
I _{SET} Pin Voltage	1.20	1.26	1.32	V	I _{SET} = 1μA
Thermal Shutdown Threshold		150		°C	
Thermal Shutdown Hysteresis		20		°C	
Current in OFF Mode			1	μA	V _{EN} = 0.0V
Min. ENABLE "ON Voltage" (Note 1)			1.6	V	
Max. ENABLE "OFF Voltage" (Note 2)	0.4			V	

Note 1. ENABLE "ON" is V_{EN} for which I_{LED} > 80mA

Note 2. ENABLE "OFF" is V_{EN} for which I_{LED} < 1uA @ V_{LED1} > 1.0V

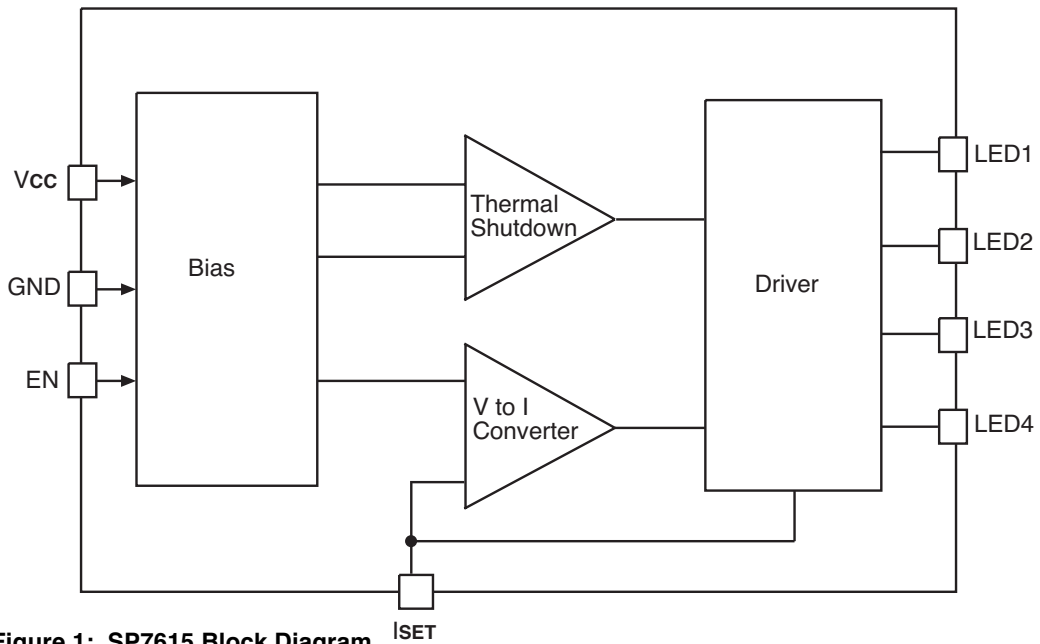


Figure 1: SP7615 Block Diagram

THEORY OF OPERATION

Introduction

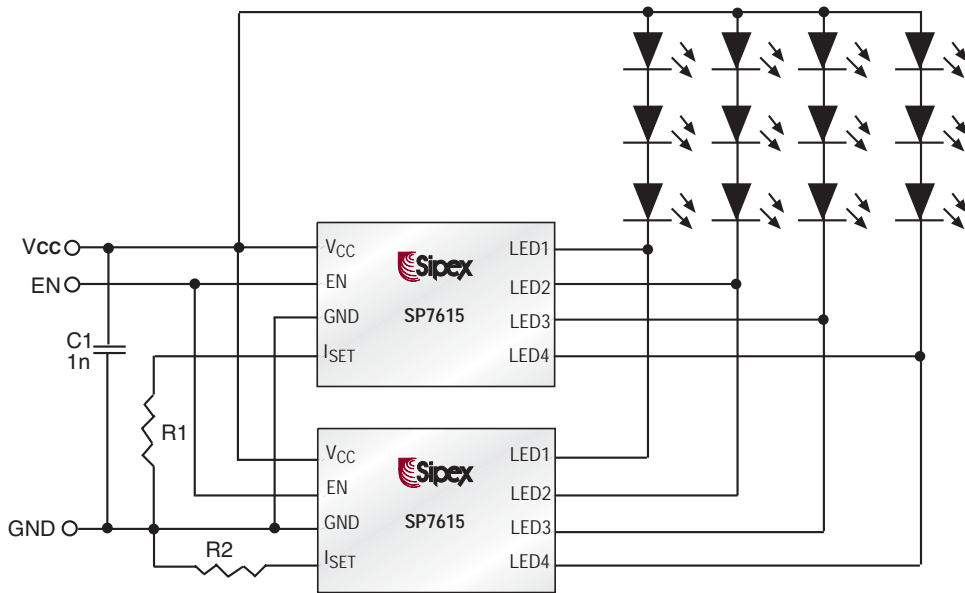
The SP7615 is a four channel constant current source LED driver with programmable output current level. The design consists of a regulator bandgap, voltage-to-current converter, and output mirror drivers. The bandgap ensures good performance over voltage and temperature. The four outputs are tightly coupled allowing for excellent channel matching.

Thermal Shutdown

The SP7615 uses a thermal comparator to monitor the system temperature shutting the device down if the internal temperature reaches 150°C. The device will remain off until the internal temperature drops below 130°C.

Enable

The device has an enable function that is designed for TTL level inputs. This input will also track the V_{CC} pin so levels up to V_{CC} are acceptable. The enable pin can also be used to control the LED brightness with a pulse width modulated control signal. Duty Cycle or PWM control of the LED current maintains constant LED color while brightness is changing. The SP7615 responds in less than 10 μ s to PWM signals applied to this pin. The EN pin is internally pulled down with an approximately 80kOhm resistor. The SP7615 will remain in shutdown mode if this pin is left open.

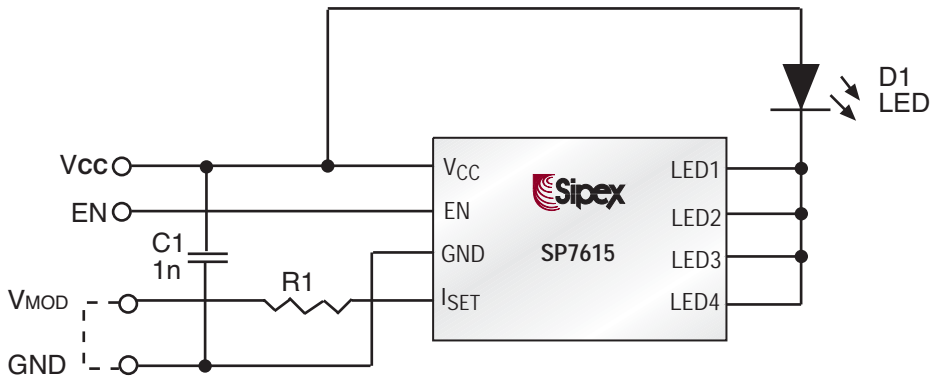


Current sharing capabilities allow two SP7615s to run in parallel for twice as much current through the LEDs.

CATHODE VOLTAGE, SUPPLY VOLTAGE AND POWER DISSIPATION

The voltage applied to the cathode of each LED determines the overall efficiency of the SP7615 circuit. The SP7615 is designed to be able to sink 125mA at each of its four outputs; LED1 - 4. The SP7615 is also designed to be able to handle up to 16V on these pins. This voltage handling capability assumes the total power can be dissipated by the SP7615. The power dissipation inside the SP7615 will be directly related to the voltage and current applied to these pins. For example, the typical operating cathode voltage is 500mV. At maximum current the

power dissipated by one LED driver output is $125\text{mA} * 500\text{mV} = 62.5\text{mW}$. The charts in the following pages show the power dissipation of the SP7615 under various conditions. The power dissipation should be kept below 1.3W for safe operation and long term reliability at room temperature and derated to 530mW at 85°C. While the above operating conditions are recommended, the part cannot be damaged due to internal temperature control as described above in the thermal shutdown section.



I_{SET} Pin

The I_{SET} pin is the servo point of an amplifier configured as a voltage-to-current converter. The voltage at this pin serves to the internal bandgap potential. A set resistor can be connected from the Iset pin to the ground to generate a reference current for the following current gain stages. A current could alternately be applied to this pin in the form of a current source or current output DAC.

This pin can be used also for LED current adjustment with external voltage from ambient light, optical feedback sensors or other voltage source. This voltage should not exceed 1.25V.

The R_{SET} value may be determined as

$$R_{SET} = (1.26 - V_{MOD}) * 1000/I_{OUT} \text{ k}\Omega,$$

where 1.26 is a typical I_{SET} pin voltage, V_{MOD} is an adjustment voltage (V), 1000 is a typical current multiplication ratio, I_{OUT} is a required LED current in mA/channel.

If adjustment voltage V_{MOD} isn't used, R_{SET} resistor should be connected to the ground.

TYPICAL PERFORMANCE CHARACTERISTICS

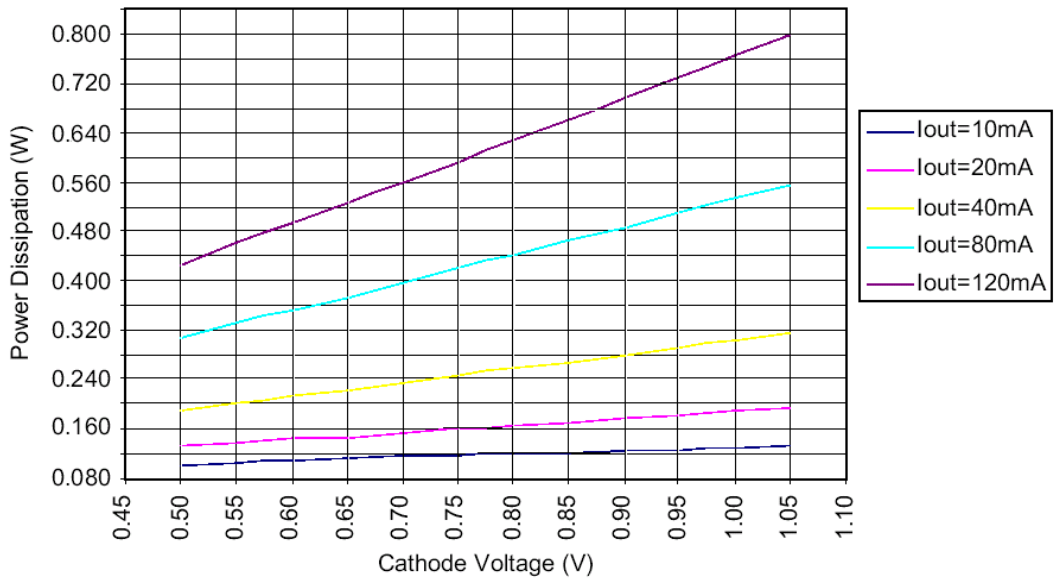


Figure 2 – Four Channel Total Power Dissipation versus Cathode Voltage at V_{cc} = 5V

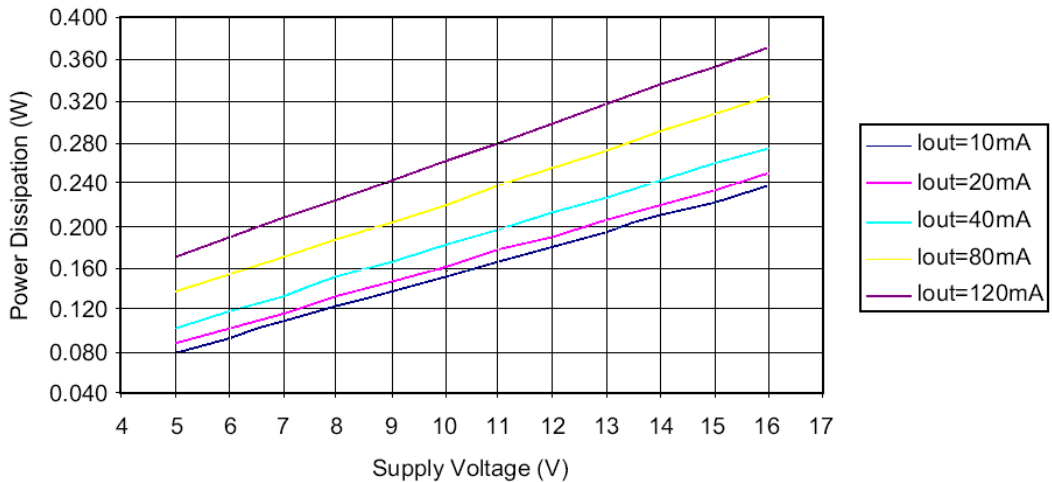


Figure 3 – Four Channel Total Power Dissipation versus Supply Voltage at V_{cathode} = 500mV

TYPICAL PERFORMANCE CHARACTERISTICS

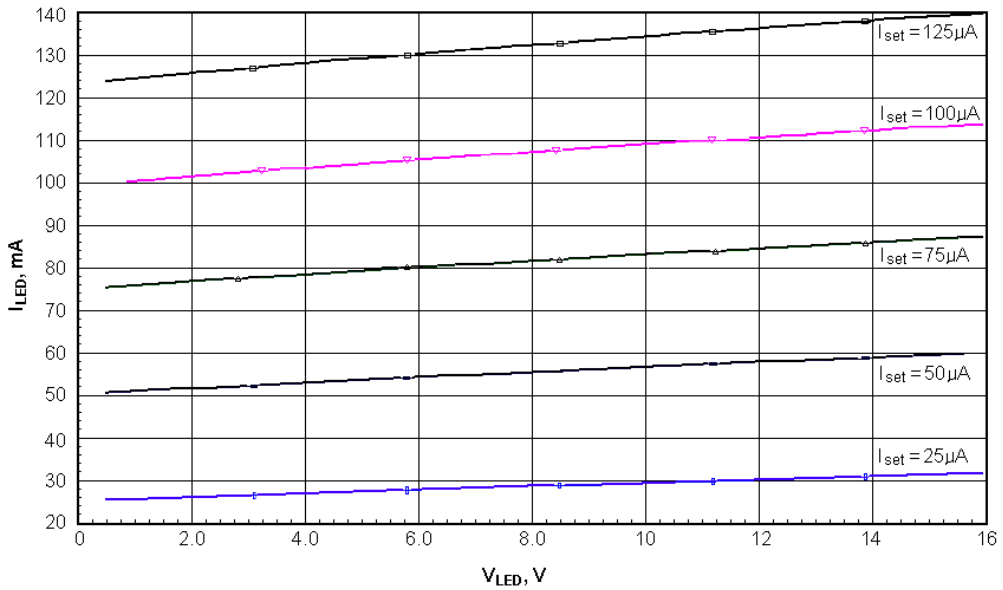


Figure 4 – LED Current versus I_{SET} Current and Cathode Voltage, $V_{CC}=5V$, $T=27^{\circ}C$

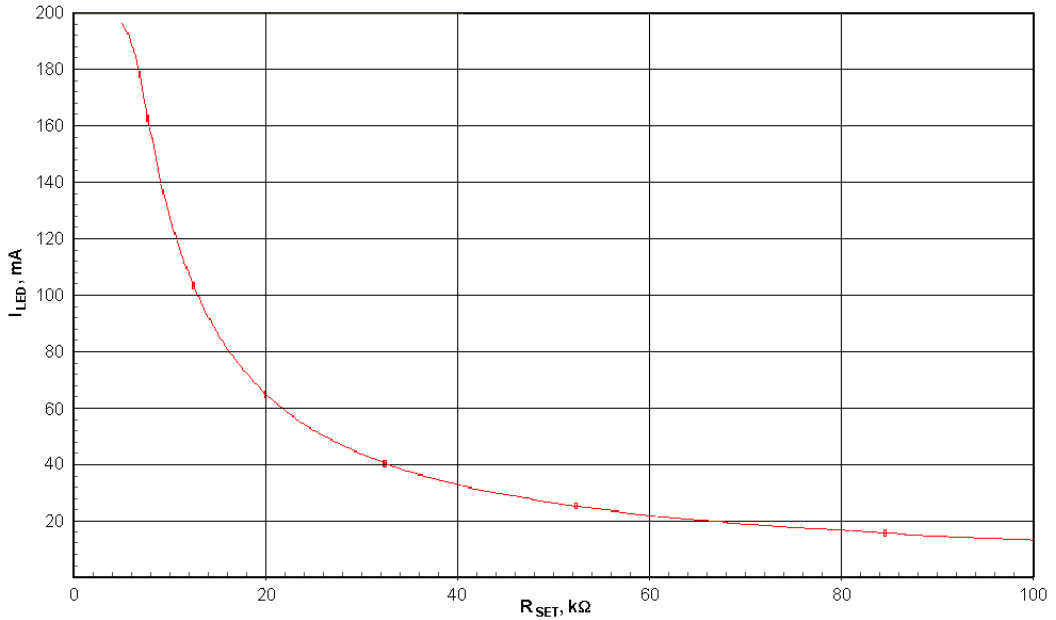


Figure 5 – LED Current versus R_{SET} Value

TYPICAL PERFORMANCE CHARACTERISTICS

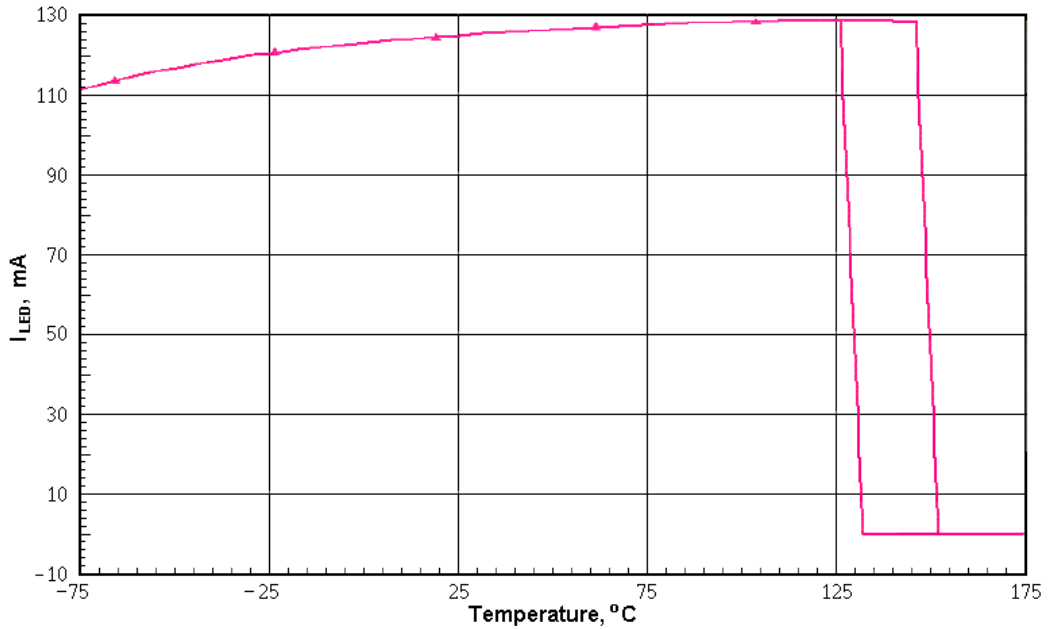


Figure 6 – LED Current versus Temperature with Thermal Shutdown

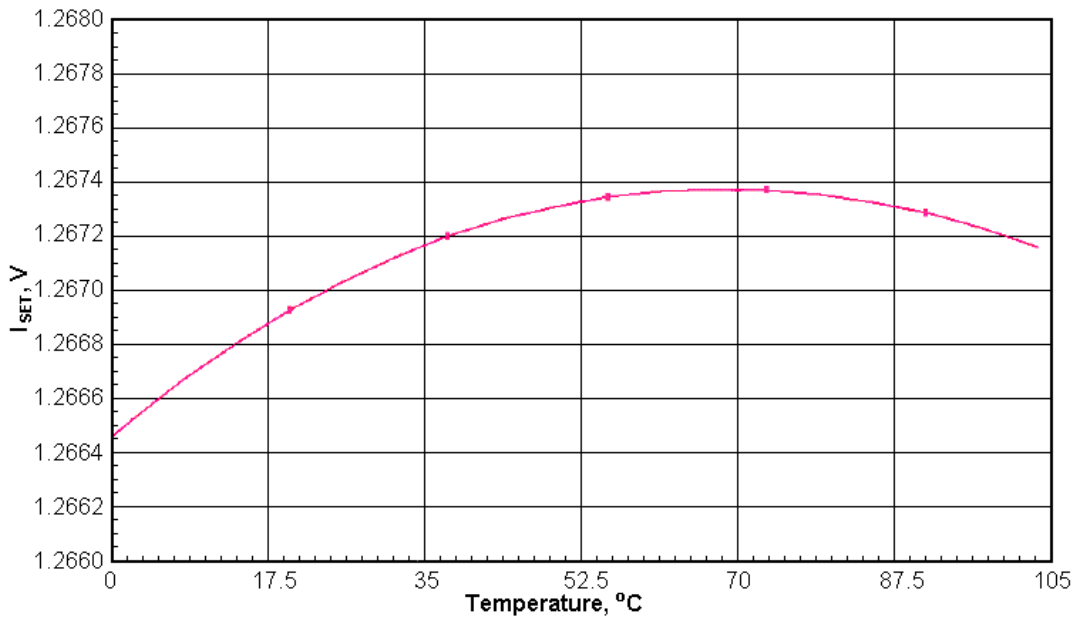


Figure 7 – I_{SET} Voltage versus Temperature

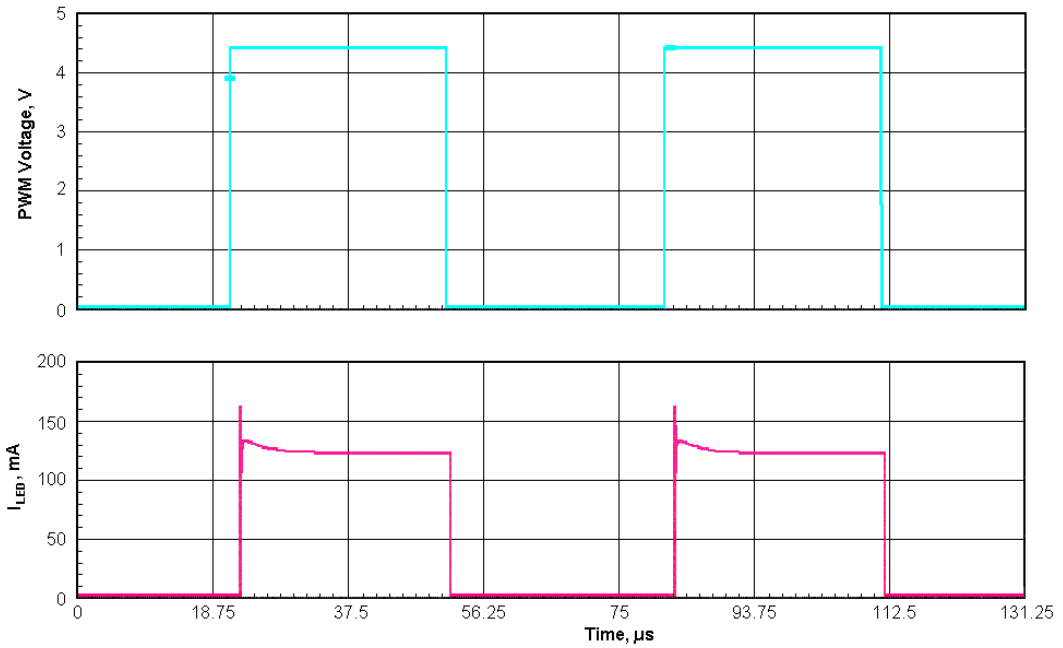


Figure 8 –PWM Signal Applied To The Enable Pin, Amplitude=5V, Duty Cycle=50%

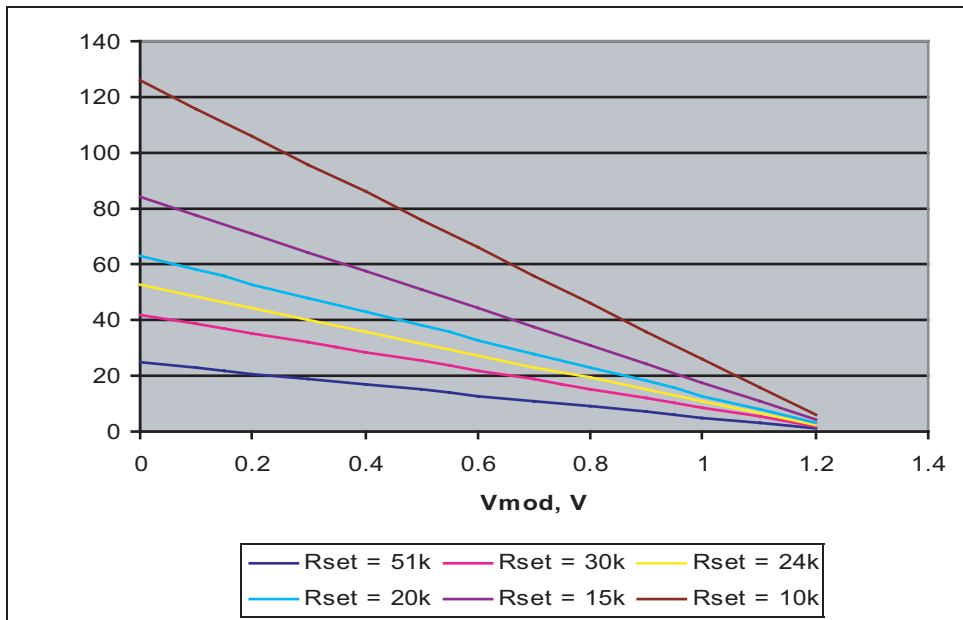
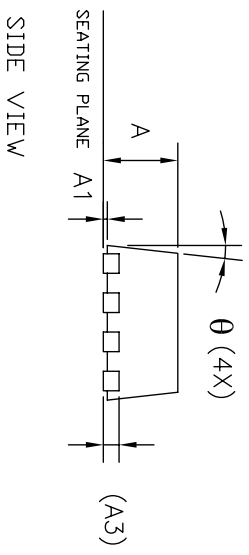
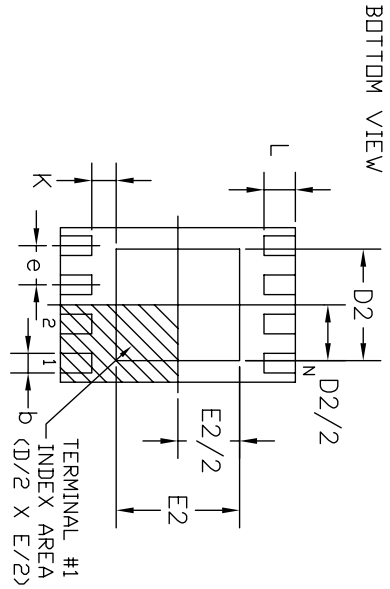
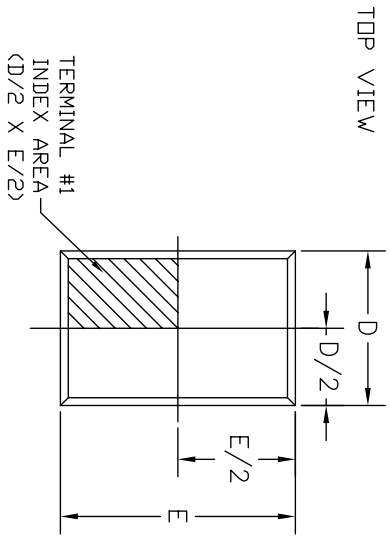



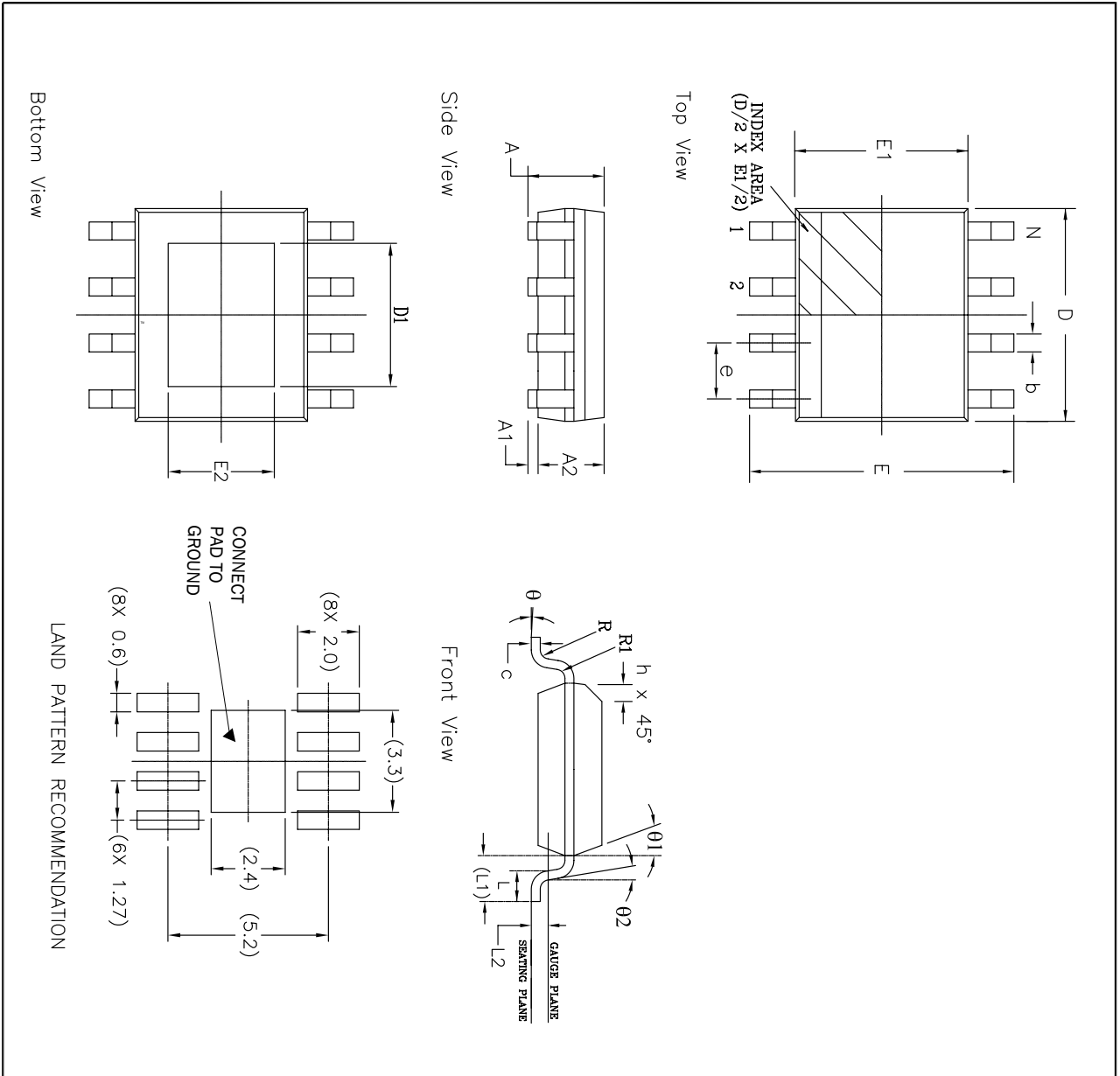
Figure 9 -- Iout current (mA per channel) vs. V_{MOD} voltage

REVISION HISTORY			
REV.	DESCRIPTION	DATE	APP'D
A	DRAWING ORIGINATOR	08/18/05	JL
B	MODIFY DRAWING FORMAT	07/17/06	JL




SYMBOLS	DIMENSIONS IN MM (Control Unit)			DIMENSIONS IN INCH (Reference Unit)		
	MIN	NOM	MAX	MIN	NOM	MAX
A	0.80	0.90	1.00	0.032	0.036	0.039
A1	0.00	0.02	0.05	0.000	0.001	0.002
A3	0.20 REF			0.008 REF		
b	0.18	0.25	0.30	0.007	0.010	0.012
D	2.00 BSC			0.079 BSC		
D2	1.50	—	1.75	0.059	—	0.069
E	3.00 BSC			0.118 BSC		
E2	1.60	—	1.90	0.063	—	0.075
e	0.50 BSC			0.020 BSC		
L	0.30	0.40	0.50	0.012	0.016	0.020
K	0.20	—	—	0.008	—	—
0	0°	—	14°	0°	—	14°
N	8			8		
ND	4			4		

		SIPEX CORPORATION	
		8 PIN 2x3 DFN PACKAGE OUTLINE	
Packaging Approval:	By: JL	Date: 07/17/06	Drawing No: 8-PIN 2x3 DFN
Revision: B	Sheet: 1 OF 1		



REVISION HISTORY			
REV.	DESCRIPTION	DATE	APP'D
A	DRAWING ORIGINATION	06/08/07	JL

SYMBOLS	8 Pin HSOICN JEDEC MS-012			Variation BA		
	DIMENSIONS IN MM (Control Unit)			DIMENSIONS IN INCH (Reference Unit)		
	MIN	NOM	MAX	MIN	NOM	MAX
A	1.35	—	1.70	0.053	—	0.067
A1	0.00	—	0.15	0.000	—	0.006
A2	1.25	—	1.65	0.049	—	0.065
b	0.31	—	0.51	0.012	—	0.020
c	0.17	—	0.25	0.007	—	0.010
D	4.90	BSC	—	0.193	BSC	—
D1	3.30	REF	—	0.130	REF	—
E	6.00	BSC	—	0.236	BSC	—
E1	3.90	BSC	—	0.154	BSC	—
E2	2.41	REF	—	0.095	REF	—
e	1.27	BSC	—	0.050	BSC	—
h	0.25	—	0.50	0.010	—	0.020
L	0.40	—	1.27	0.016	—	0.050
L1	1.04	REF	—	0.041	REF	—
L2	0.25	BSC	—	0.010	BSC	—
R	0.07	—	—	0.003	—	—
R1	0.07	—	—	0.003	—	—
θ	0°	—	8°	0°	—	8°
θ1	5°	—	15°	5°	—	15°
θ2	0°	—	—	0°	—	—
N	—	8	—	—	8	—


SIPEX CORPORATION
 8 PIN HSOICN PACKAGE OUTLINE
 Packaging Approval: _____ Drawing No: 8-PIN HSOICN
 By: JL Date: 06/08/07 Revision: A Sheet: 1 OF 1

ORDERING INFORMATION

Part Number	RoHS	Package	Pack Type	Quantity	Temperature Range	MSL Pb-Free	Theta JA
SP7615ER-L	Yes	DFN8	Canister	Any	-40°C to +85°C	L1 @ 260°C	59°C/W
SP7615ER-L/TR	Yes	DFN8	Tape & Reel	3000	-40°C to +85°C	L1 @ 260°C	59°C/W
SP7615EN2-L	Yes	HSOICN8	Canister	98	-40°C to +85°C	L1 @ 250°C	59°C/W
SP7615EN2-L/TR	Yes	HSOICN8	Tape & Reel	3000	-40°C to +85°C	L1 @ 250°C	59°C/W

For further assistance:

Email: Sipexsupport@sipex.com
WWW Support page: <http://www.sipex.com/content.aspx?p=support>
Sipex Application Notes: <http://www.sipex.com/applicationNotes.aspx>



Sipex Corporation
**Headquarters and
Sales Office**
233 South Hillview Drive
Milpitas, CA 95035
TEL: (408) 934-7500
FAX: (408) 935-7600

Sipex Corporation reserves the right to make changes to any products described herein. Sipex does not assume any liability arising out of the application or use of any product or circuit described herein; neither does it convey any license under its patent rights nor the rights of others.