



Oscar 1A

Quad Band GSM / GPRS & 3G Outdoor Antenna



Key Features

- Quad band GSM / GPRS (2G) and UMTS (3G)
- High gain
- Improved signal quality with low loss cable

General Description

The Oscar 1A is a high performance Omnidirectional wall / bracket mount antenna, operating on global GSM/GPRS and 3G frequencies.

Ruggedly constructed with black ABS plastic over the radiating element and with a lightweight yet durable aluminium mounting bracket.

The high quality monopole design provides a peak gain of 5dBi improving communication reliability for applications like remote sensor monitoring, alarm & security systems and other IoT applications demanding an all-weather antenna.

Cables are terminated with either an SMA male or FME female connector type. Alternative cable lengths or connector types may be specified for volume orders.

Additional Considerations

- Housed in a robust ABS casing
- Bracket provides secure permanent fixing
- Does not require additional placement on metallic surface
- Meets all EU compliance criteria for electronic goods





Oscar 1A

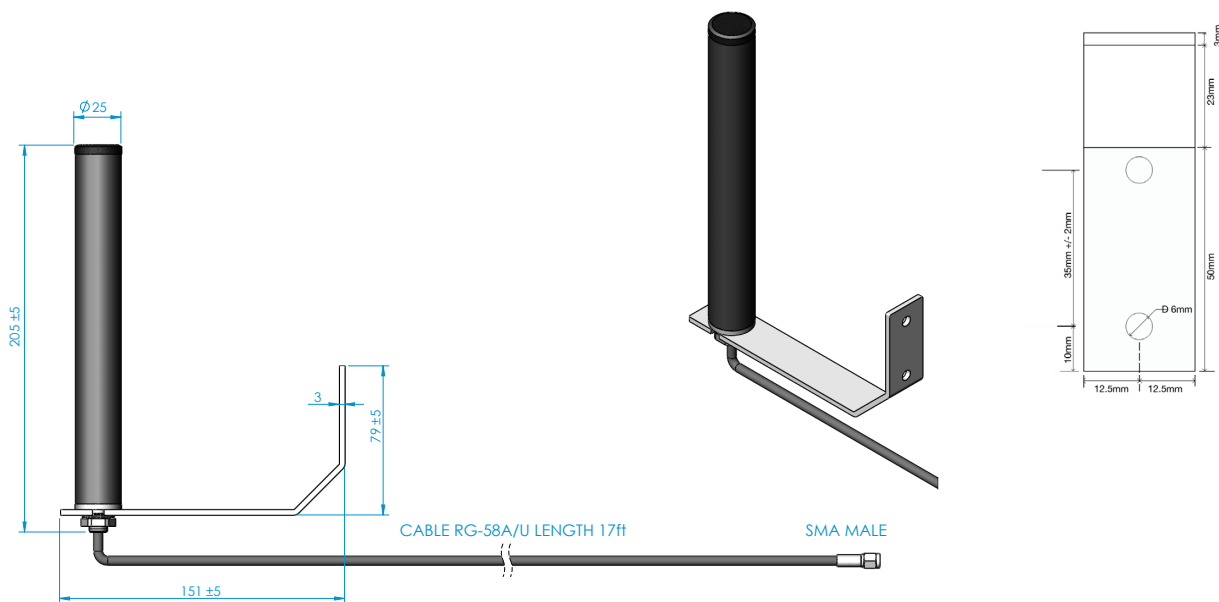
Quad Band GSM / GPRS & 3G Outdoor Antenna

Electrical Specification

Temperature range:	-30 to +70°C
Impedance:	50 ohm
Peak gain:	5dBi
VSWR:	<1.8:1
Operating frequency:	Quad Band GSM / GPRS: 850, 900, 1800, 1900MHz 3G: 2100MHz
Polarization:	Vertical

Mechanical Specification

Antenna diameter:	25mm (cylinder)
Antenna height:	205 ± 5mm
Bracket length:	151 ± 5mm
Bracket height:	79 ± 5mm
Bracket thickness:	3mm
Cable:	Low loss CFD195
Housing colour:	Black



Ordering Details

Part Number	Description
OSCAR1A/5M/FMEF/S/S/32	GSM/GPRS/3G 5dBi WALL MOUNT ANTENNA 5M Cable FME Female connector
OSCAR1A/10M/FMEF/S/S/32	GSM/GPRS/3G 5dBi WALL MOUNT ANTENNA 10M Cable FME Female connector
OSCAR1A/5M/SMAM/S/S/32	GSM/GPRS/3G 5dBi WALL MOUNT ANTENNA 5M Cable SMA Male connector
OSCAR1A/10M/SMAM/S/S/32	GSM/GPRS/3G 5dBi WALL MOUNT ANTENNA 10M Cable SMA Male connector