



## Position switch with safety function

### ES 95 WH 1Ö/1S

Material number: 1049944 (Material number old: 95014001)

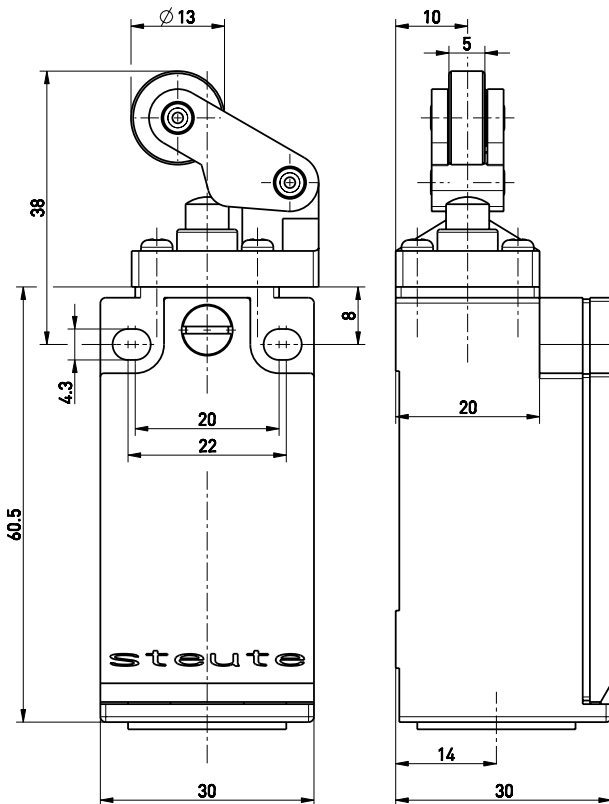
#### Features/Options:

- Thermoplastic enclosure
- Design to EN 50047
- Horizontally slotted mounting holes
- Double insulated
- Slow action  $\ominus$ , change-over contact with double break
- Good resistance to oil and petroleum spirit
- Actuator: Roller lever with collar WH
- Actuating speed max. 0.5 m/s with a vertical actuating angle of  $\alpha = 40^\circ$  and  $\beta = 25^\circ$
- Actuator type E to EN 50047
- Watertight collar for protection against penetration of dirt
- Wear-resistant plastic roller
- Actuator can be repositioned by 4 x 90°

#### Notes

- With metal roller available on request

#### Dimensions



#### Technical data

Applied standards	EN ISO 13849-1; EN 60947-5-1; EN ISO 14119
Enclosure	glass-fibre reinforced, shock-proof thermoplastic, self-extinguishing UL 94 V-0
Tightening torque	enclosure mounting screws: 1.2 ... 1.3 Nm cover screws: max. 0.7 Nm
Switch type	type 1
Coding level	no coding
Degree of protection	IP 67 to IEC/EN 60529
Contact material	silver
Switching system	slow action, positive break NC contacts $\ominus$
Switching elements	1 NC/1 NO contact, type Zb
Connection	screw connection terminals
Cable cross-section	max. 2.5 mm <sup>2</sup> (incl. conductor ferrules)
Cable entry	1 x M20 x 1.5
B <sub>10d</sub> (10 % load)	2 million
T <sub>M</sub>	max. 20 years
Rated impulse withstand voltage U <sub>imp</sub>	4 kV
Rated operating isolation voltage U <sub>i</sub>	400 V
Conventional thermal current I <sub>the</sub>	6 A
Utilisation category	AC-15; DC-13

Errors and omissions excepted.



## Position switch with safety function

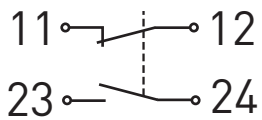
### ES 95 WH 1Ö/1S

Material number: 1049944 (Material number old: 95014001)

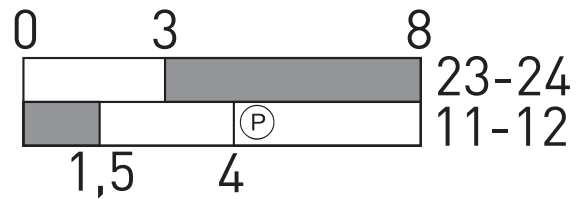
#### Technical data

Rated operating current/ voltage $I_e/U_e$	6 A/400 VAC; 0.25 A/230 VDC; 4 A/24 VDC
Short-circuit protection	6 A gG/gN fuse
Mechanical life	> 1 million operations
Operation cycles	max. 1800/h
Ambient temperature	-20 °C ... +80 °C
Contact opening	max. 2 x 3.5 mm
Approvals	
Weight	60 g

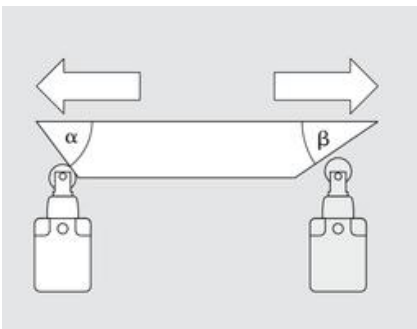
#### Contact diagram



#### Switching diagram



#### Actuating angles



$\alpha$  - Actuating angle from right of switch axis  
 $\beta$  - Actuating angle from left of switch axis as shown in picture

Errors and omissions excepted.