



## Wireless position switch

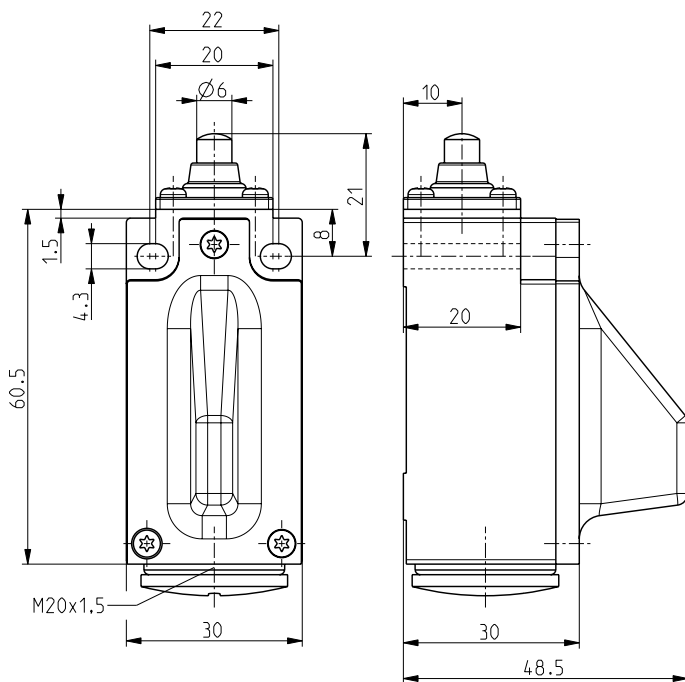
RF 95 W LR SW915

Material number: 1190527 (Material number old: 95902005)

### Features/Options:

- Thermoplastic enclosure
- Design to EN 50047
- sWave® wireless technology
- No power supply, no wiring and pipe laying required
- Easy programming of receiver
- Output signal can be individually configured at the receiver
- Actuator: Plunger with collar W
- Actuator type B to EN 50047
- Watertight collar for protection against penetration of dirt

### Dimensions



### Technical data

Applied standards	EN 60947-5-1; EN 61000-6-2, -6-3; EN 61000-4-2, -4-20; EN 301 489-1; EN 301 489-3; EN 300 220-1; EN 300 220-2
Enclosure	glass-fibre reinforced, shock-proof thermoplastic, self-extinguishing UL 94 V-0
Cover	glass-fibre reinforced, shock-proof thermoplastic, self-extinguishing UL 94 V-0
Tightening torque	enclosure mounting screws: 1.2 ... 1.3 Nm cover screws: 0.5 ... 0.6 Nm
Degree of protection	IP 67 to IEC/EN 60529
Protocol	sWave®
Ambient temperature	-20 °C ... +65 °C
Operation cycles	approx. 12000 telegrams with repetitions/h
Voltage supply	Electrodynamic energy generator
Frequency	915 MHz (USA, Canada and Mexico)
Transmission power	< 25 mW
Data rate	66 kbps
Channel bandwidth	550 kHz
Wireless range	max. 450 m outside, max. 40 m inside
Mechanical life	> 1 million operations
Actuating time	min. 80 ms
Note	no status signal available

Errors and omissions excepted.



## Wireless position switch

RF 95 W LR SW915

Material number: 1190527 (Material number old: 95902005)

### Technical data

#### Wireless approvals

USA: FCC Part 15.247: XK5-  
RF95 SW915 SR;  
Canada: IC RSS-210: 5158A-  
RF95 SW915 SR  
Mexico: IFT - RCPSTRF17-1885

### Switching diagram

