



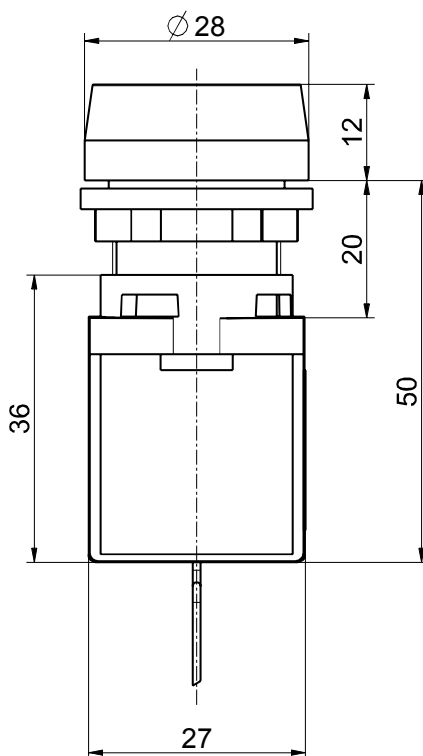
Wireless command device RF BF 74 RT SW915 Material number: 1328466

Features/Options:

- sWave® wireless technology
- No power supply, no wiring and pipe laying required
- Easy programming of receiver

- Output signal can be individually configured at the receiver
- Actuator: Push-button RT
- Actuator made of plastic

Dimensions



Technical data

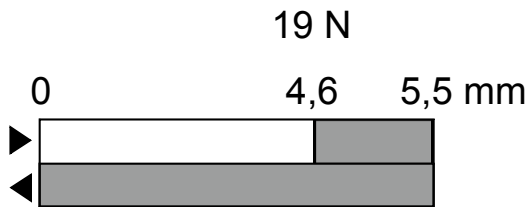
Applied standards	EN 60947-5-1; EN 61000-6-2, -6-3, EN 61000-4-2, -4-20; EN 301 489-1; EN 301 489-3; EN 300 220-1; EN 300 220-2
Enclosure	glass-fibre reinforced, shock-proof thermoplastic, self-extinguishing UL 94 V-0
Degree of protection	IP 65 to IEC/EN 60529, use only with enclosure for command devices
Protocol	sWave®
Ambient temperature	-20 °C ... +65 °C
Operation cycles	approx. 12000 telegrams with repetitions/h
Voltage supply	Electrodynamic energy generator
Frequency	915 MHz (USA, Canada and Mexico)
Transmission power	< 25 mW
Data rate	66 kbps
Channel bandwidth	550 kHz
Wireless range	max. 450 m outside, max. 40 m inside
Mechanical life	800 000 operations
Actuating time	min. 80 ms
Actuating speed V	min. 0.03 m/s; max. 0.25 m/s
Note	no status signal available
Wireless approvals	USA: FCC Part 15.247: XK5-RF95 SW915 LR; Canada: IC RSS-210: 5158A-RF95 SW915 LR Mexico: IFT - RCPSTRF17-1884

Errors and omissions excepted.



Wireless command device
RF BF 74 RT SW915
Material number: 1328466

Switching diagram



- ▶ Switch-on travel
- ◀ Switch-off travel, zero position must be achieved again

Colour plate selection for RT (included in delivery of RT)

