



## Wireless magnetic sensor RF RC M30 SW915 KST Material number: 1362227

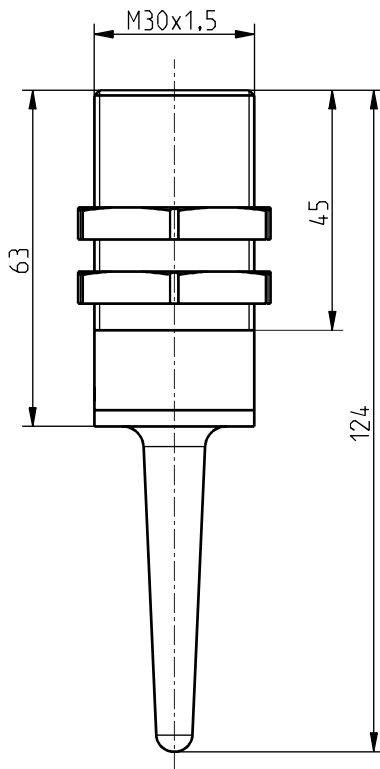
### Features/Options:

- Thermoplastic enclosure
- sWave® wireless technology
- Power supply by Lithium battery
- No wiring and pipe laying required
- Easy programming of receiver
- Output signal can be individually configured at the receiver

### Notes

- 2 mounting nuts are included in delivery
- The actuator is not included in the delivery of the switches

### Dimensions



### Technical data

Applied standards	EN 60947-5-1; EN 61000-6-2, -6-3, EN 61000-4-2, -4-20; EN 301 489-1; EN 301 489-3; EN 300 220-1; EN 300 220-2
Enclosure	PVC-C
Type of installation	flush, in not ferromagnetic material
Tightening torque	mounting nut: max. 4 Nm
Degree of protection	IP 67 to IEC/EN 60529
Protocol	sWave®
Ambient temperature	-25 °C ... +65 °C
Switching system	Reed contact
Switching distances	M 100: $s_n = 15$ mm; M 30 Niro: $s_n = 30$ mm
Hysteresis	approx. 1 mm
Operation cycles	approx. 12000 telegrams with repetitions/h
Voltage supply	Lithium battery CR 2032 (replaceable)
Current absorption	without transmissions: approx. 1 $\mu$ A
Nominal capacity	230 mAh
Frequency	915 MHz (USA, Canada and Mexico)
Transmission power	< 25 mW
Data rate	66 kbps
Channel bandwidth	550 kHz
Wireless range	max. 450 m outside, max. 40 m inside

Errors and omissions excepted.



Wireless magnetic sensor  
RF RC M30 SW915 KST  
Material number: 1362227

## Technical data

Mechanical life	> 1 million operations
Battery life	approx. 10 years unused, approx. 6 years with 1 actuation per min.
Actuating time	min. 80 ms
Note	status signal configurable ex works; transmission of battery voltage
Wireless approvals	USA: FCC Part 15.247: XK5-RF Rx SW915; Canada: IC RSS-210: 5158A-RF Rx SW 915; Mexico: IFT - RCPSTRF17-1886