

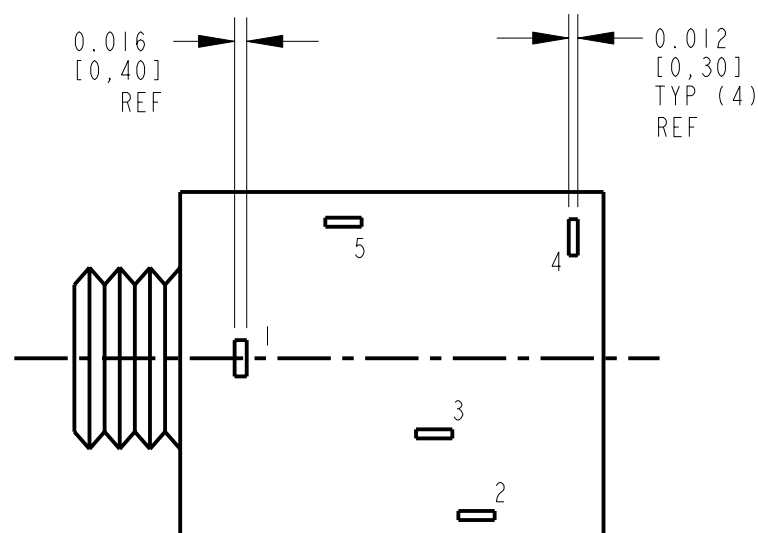
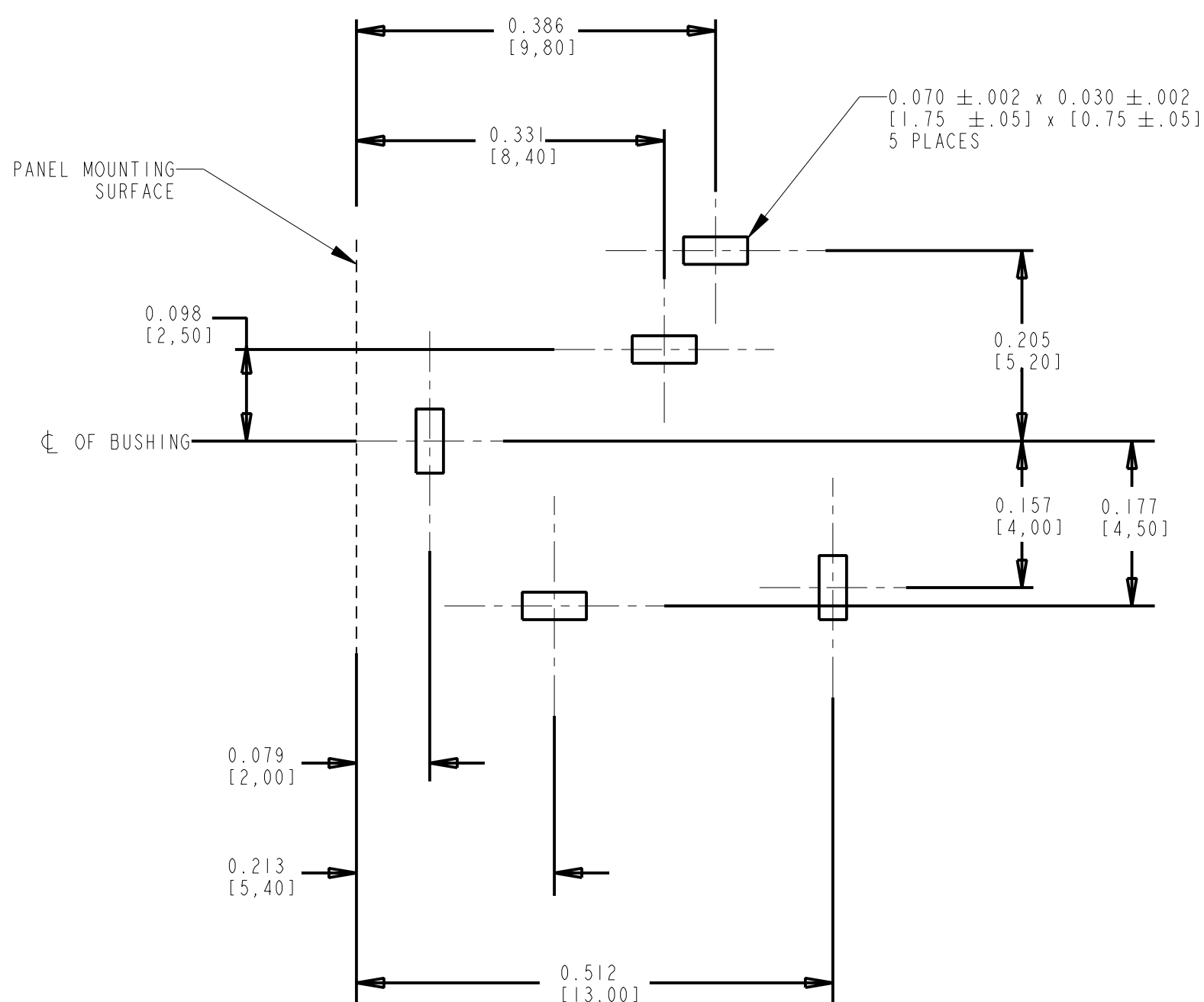
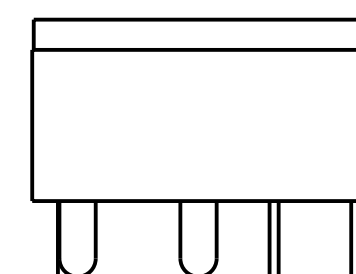
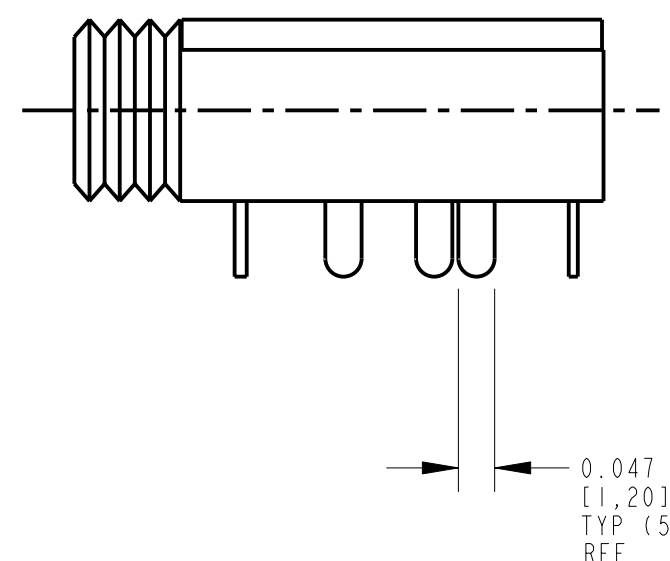
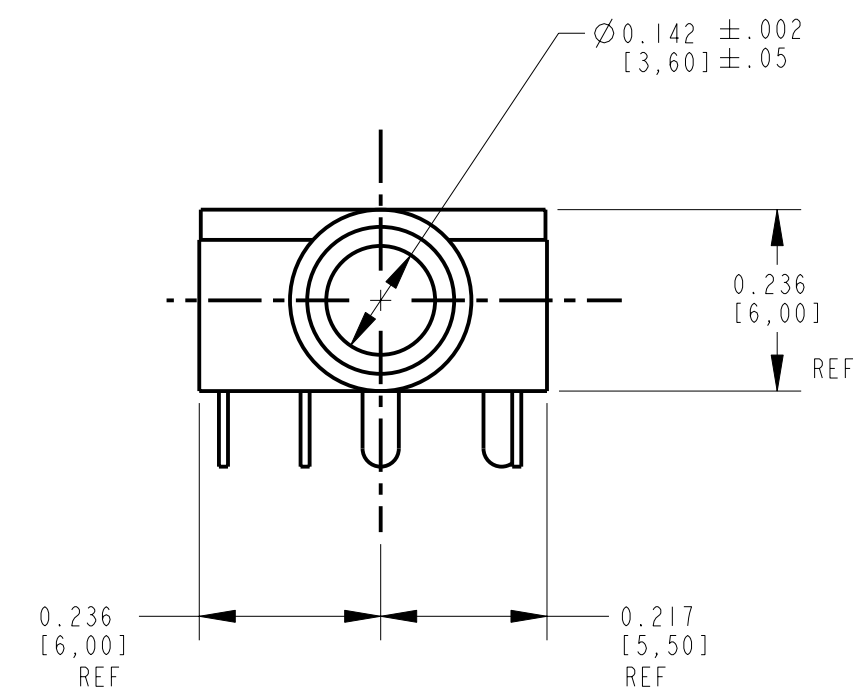
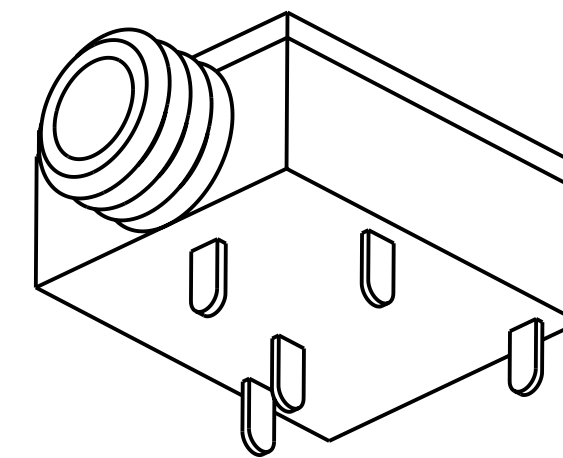
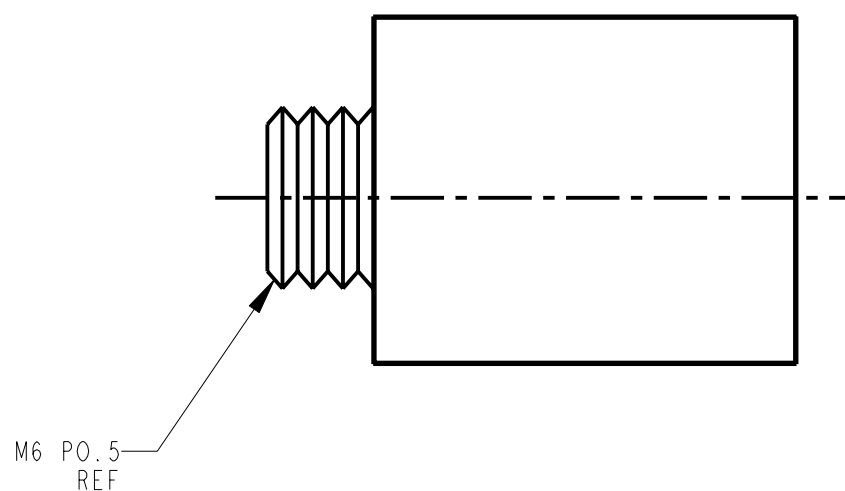
**SPECIFICATIONS:**

**ELECTRICAL:**  
 CONTACT RESISTANCE: 20 MILLIOHMS MAX. INITIAL  
 100 MILLIOHMS MAX. AFTER LIFE  
 INSULATION RESISTANCE: 100 MEGAOHMS MIN.  
 DIELECTRIC WITH STANDING VOLTAGE: 250 VAC.

**MECHANICAL:**  
 LIFE: 5000 CYCLES  
 INSERTION FORCE: 0, 4 KG TO 1, 6 KG  
 WITHDRAWAL FORCE: 0, 4 KG TO 1, 4 KG

**MATERIALS:**  
 HOUSING: NORYL BLACK, UL94V1  
 BUSHING: BRASS, NICKEL PLATED  
 SPRINGS: BRASS EXCEPT RING SPRING PHOSPHOR BRONZE, SILVER PLATED  
 COVER: POLYCARBONATE, CLEAR, UL94V2

**NOTE:**  
 (E) MOUNTING NUT, HARDWARE INCLUDED.



(B) (C)

PART NO.	SCHEMATIC	PART REV
35RAPC3BH3		D (E)
35RAPC4BH3		D (E)
35RAPC2BH3		D (E)
35RAPC2AH3		C (E)

CUSTOMER DRAWING

SUPPLIED WITH KNURL NUT

REV	ECO NUMBER	DATE	BY	APVD
E	21847	7-29-97	RC	JJ
D	ECO #20278	11-5-96	MM	GHJ
C	ECO #19567	5-5-95	SG	GHJ
B	ECO #19058	6-29-94	LR	EBR
A	FIRST DRAWN	12-9-93	ES	EBR

REVISIONS

☆ STAR SYMBOL DENOTES CRITICAL DIMENSION  
 UNLESS OTHERWISE SPECIFIED  
 1. ALL DIMENSIONS IN INCHES  
 - TWO PLACE DECIMALS  $\pm 0.01$   
 - THREE PALCE DECIMALS  $\pm 0.005$   
 - FRACTIONAL DIMENSIONS  $\pm 1/64$   
 - ANGLES  $\pm 1'$   
 - ALL DIA. CONCENTRIC WITHIN 0.005 T.I.R.  
 2. FEATURES ON THE SAME CENTERLINE MUST BE ALIGNED WITHIN  $\pm 0.002$   
 3. REMOVE ALL BURRS  
 DO NOT SCALE DRAWING

DATE DRAWN	BY	CHKD	APVD	SCALE
9-Dec-93	ES	ES	EBR	4:1

THIS DRAWING DESCRIBES A DESIGN CONSIDERED PROPRIETARY IN NATURE, DEVELOPED AND MANUFACTURED BY SWITCHCRAFT INC. AND IS RELEASED ON A CONFIDENTIAL BASIS FOR IDENTIFICATION PURPOSES ONLY.  
 FINISH: . . . . . MATERIAL SPEC No. . . . .  
 FIRST USED ON: . . . . .  
 DATE DRAWN: 9-Dec-93 BY: ES CHKD: ES APVD: EBR SCALE: 4:1  
 NAME: 3.5 MM HORIZONTAL STEREO JACK PART No. 35RAPC\_\_H3 REV E  
 SHEET 1 OF 1

Switchcraft®