

NETCONNECT* CHAMP SYSTEM 5* System Testing**1. INTRODUCTION****1.1. Purpose**

Testing was performed on the AMP* NETCONNECT*CHAMP SYSTEM 5 to determine its conformance to the requirements of AMP Product Specification 108-1698 Rev. O.

1.2. Scope

This report covers the electrical performance of the CHAMP SYSTEM 5 manufactured by Communications Business. The testing was performed between September 4, 1996 and January 24, 1997.

1.3. Conclusion

The CHAMP SYSTEM 5 as listed in paragraph 1.5, meet the electrical performance requirements of AMP Product Specification 108-1698 Rev O.

1.4. Product Description

CHAMP SYSTEM 5 can be set up in many different configurations. See Para 2. which shows the specific configurations tested.

1.5. Test Samples

The test samples were randomly selected from normal current production lots, and the following part numbers were used for test:

Test Group	Quantity	Part Number	Description
1,2,3	1 each	558694-1	CHAMP Sys 5 Patch Panel
1,2,3	1 each	569537-1	CHAMP Sys 5 Patch Panel
1,2,3	1 each	569230-1	CHAMP Sys 5 Patch Panel
1,2,3	1 each	569596-1	Pre-Stubbed 110 Block
1,2,3	1 each	406213-1	1U Patch Panel T568A wiring
1,2,3	1 each	406214-1	1U Patch Panel T568B wiring
1,2,3	3 each	57667-1	10 meter, 25 pair feeder cable
1,2,3	6 each	1-558693-1	CHAMP Sys 5 Plug
1,2,3	6 each	569335-1	CHAMP Sys 5 Strain relief
1,2,3	3 each	558038-1	CHAMP Sys 5 Distribution Box
1,2,3	3 each	57248	10 meter, 4 pair cable
1,2,3	3 each	569012	110 jack, 568A wiring
1,2,3	6 each	554720-1	Solid wire modular plug
1,2,3	3 each	558908	ACO jack, 568A wiring
1,2,3	3 each	569521-1	CHAMP Sys 5 Distribution Box
1,2,3	3 each	569014	110 jack, 568B wiring
1,2,3	3 each	558909	ACO jack, 568B wiring
1,2,3	3 each	558036-1	CHAMP Sys 5 Distribution Box
1,2,3	3 each	97-1376-02	10 meter bundled 4 pair feeder cable (24 pairs)

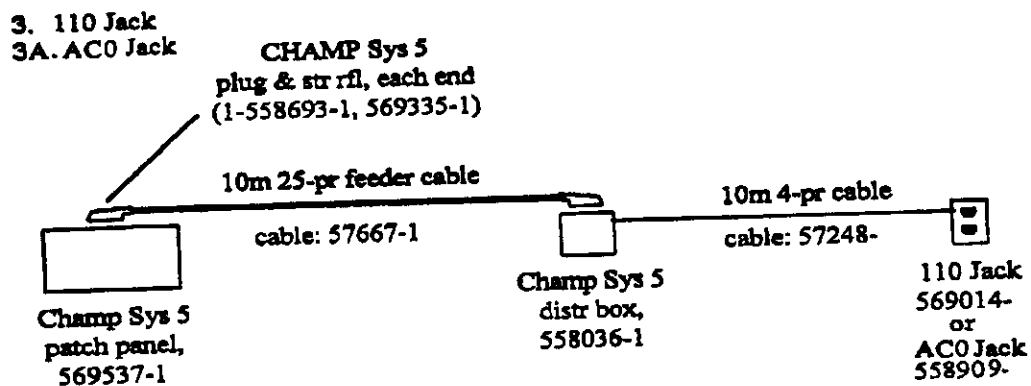
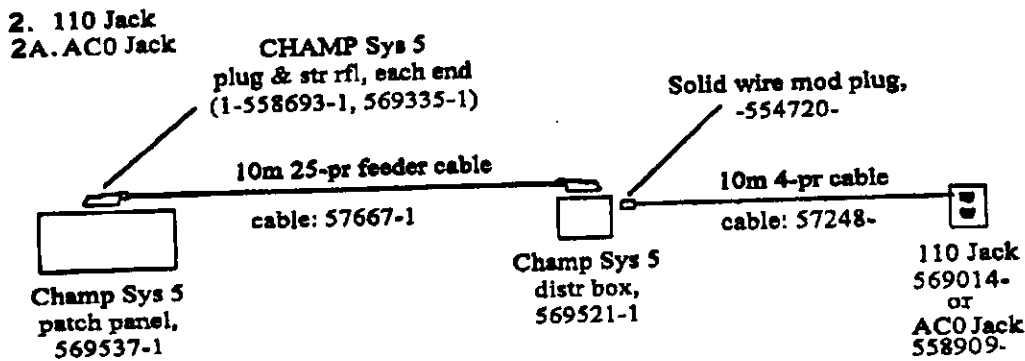
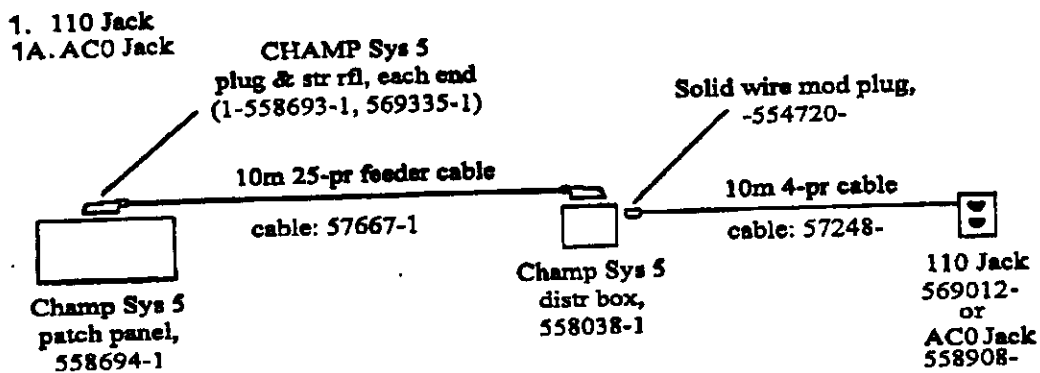
1.6. Qualification Test Sequence

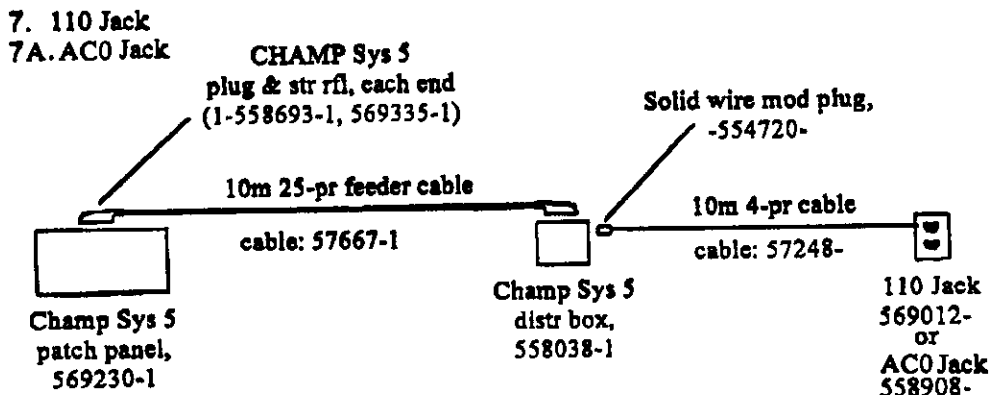
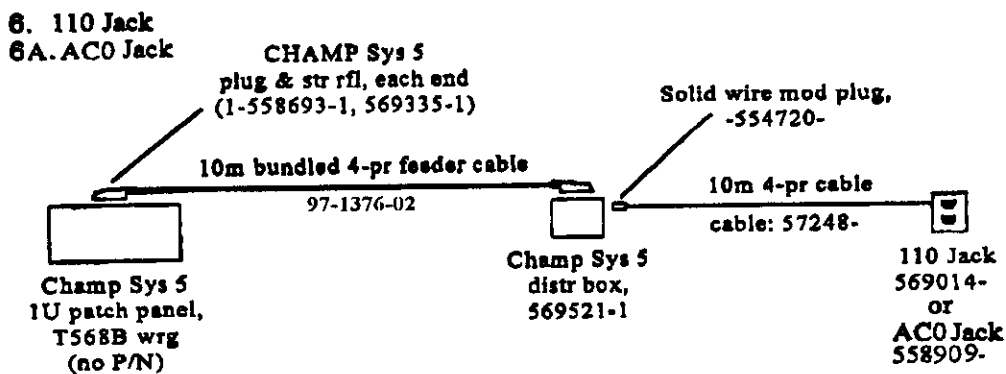
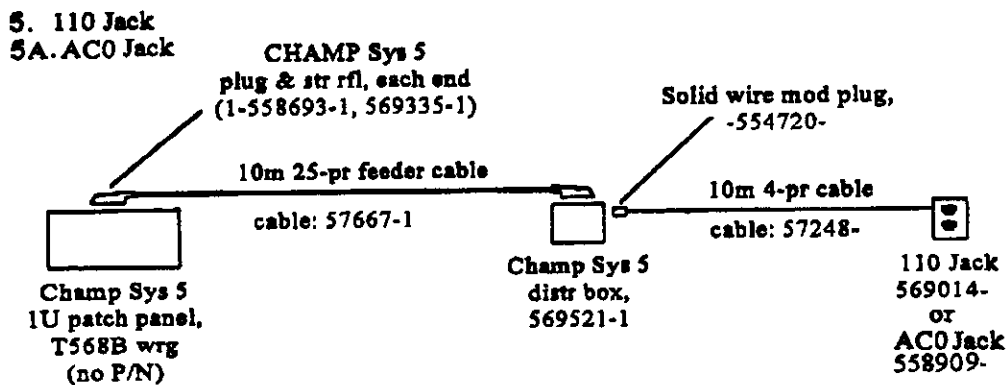
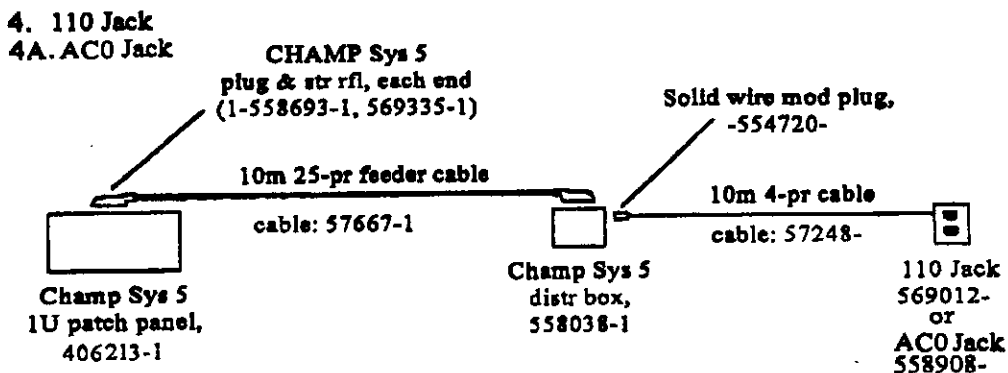
Test or Examination	Test Group		
	1	2	3
Examination of Product	1,5	1,5	1,5
Attenuation	2	2	2
Near End Crosstalk	3	3	3
Attenuation Crosstalk Ratio (ACR)	4	4	4

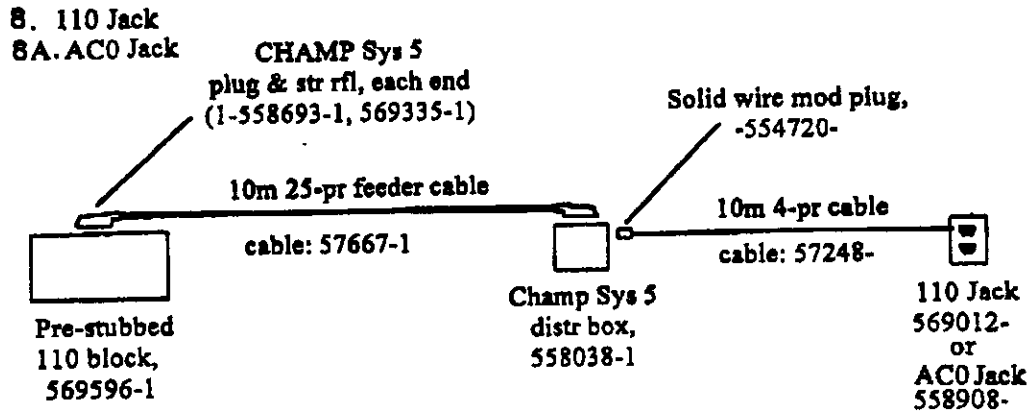
NOTE

The numbers indicate sequence in which tests were performed.

2. SPECIFIC TEST CONFIGURATIONS







3. SUMMARY OF TESTING

3.1. Examination of Product - All Groups

All samples submitted for testing were randomly selected from current production lots. Where specified, samples were visually examined and no evidence of physical damage detrimental to product performance was observed.

3.2. Attenuation - Group

All attenuation results were within the limits specified in Table 1.

3.3. Near End Crosstalk - Group

All near-end crosstalk results were within the limits specified in Table 1.

3.4. ACR - Group

All ACR results were within the limits specified in Table 1.

Frequency (MHz) See Note (a)	Near End Crosstalk Loss (dB) See Note (b)	Attenuation (dB) See Note (b)	ACR (dB) See Note (c)
1.0	60.0	2.5	40
4.0	50.6	4.5	40
8.0	45.6	6.3	---
10.0	44.0	7.0	35
16.0	40.6	9.2	30
20.0	39.0	10.3	28
25.0	37.4	11.4	---
31.25	35.7	12.8	23
62.5	30.6	18.5	13
100.0	27.1	24.0	4

NOTE

- (a) Per TIA/EIA-568-A. ISO/IEC 11801 for ACR.
- (b) Values are derived from a curve defined by frequency boundaries per TIA/EIA-568-A.
- (c) Values are derived from a curve defined by frequency boundaries per ISO/IEC 11801.

Table 1
Performance Requirements

4. TEST METHODS**4.1. Examination of Product**

Where specified, samples were visually examined for evidence of physical damage detrimental to product performance.

4.2. Attenuation

A network analyzer was used to measure the scattering parameters S_{11} and S_{21} of the sample. The attenuation was then calculated from these measurements.

4.3. Near End Crosstalk

Sinusoidal frequencies of 1 to 100 MHz were applied to one end of the "driven line". The "quiet line" was monitored with a network analyzer to measure any crosstalk signals.

4.4. ACR

This is the difference between the near end crosstalk and the attenuation of the system under test in dB.

$$\text{ACR (dB)} = \text{crosstalk (dB)} - \text{attenuation (dB)}$$

5. VALIDATION

Prepared by:

Raymond C. Roth, Jr. 6/21/97

Raymond C. Roth, Jr.
Test Engineer
Electromagnetic Engineering Team
Americas Regional Laboratory

Reviewed by:

Dana J. Bergey 2/27/97

Dana J. Bergey
Supervisor
Test Engineering
Americas Regional Laboratory

Approved by:

Harvey Brown 4/19/97

Harvey Brown
Manager
Advanced Quality Planning
Communications Business