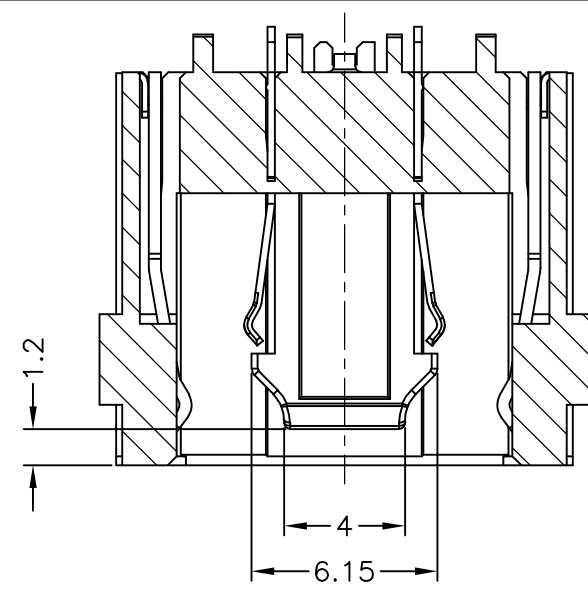
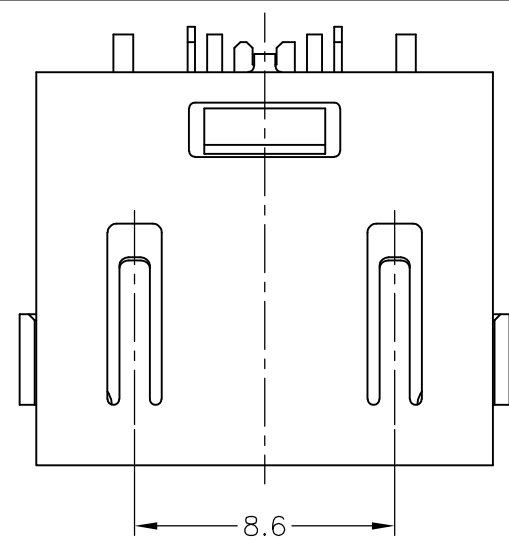
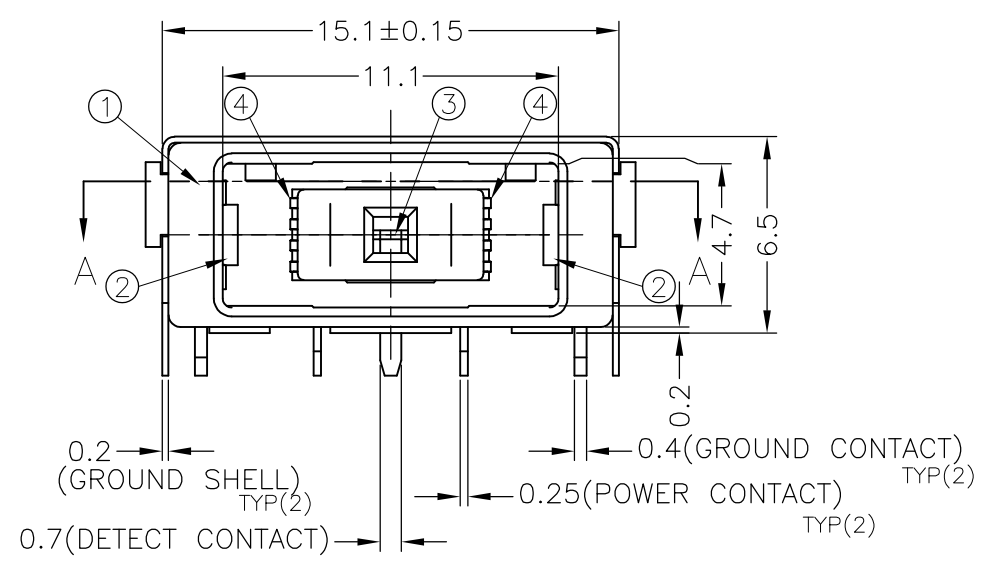


THIS DRAWING IS UNPUBLISHED. RELEASED FOR PUBLICATION
 © COPYRIGHT - By - ALL RIGHTS RESERVED.

LOC		DIST		REVISIONS			
DW		P	LTR	DESCRIPTION	DATE	DWN	APVD
			B6	REVISED (ECR-19-016856)	16DEC14	S.H	V.P

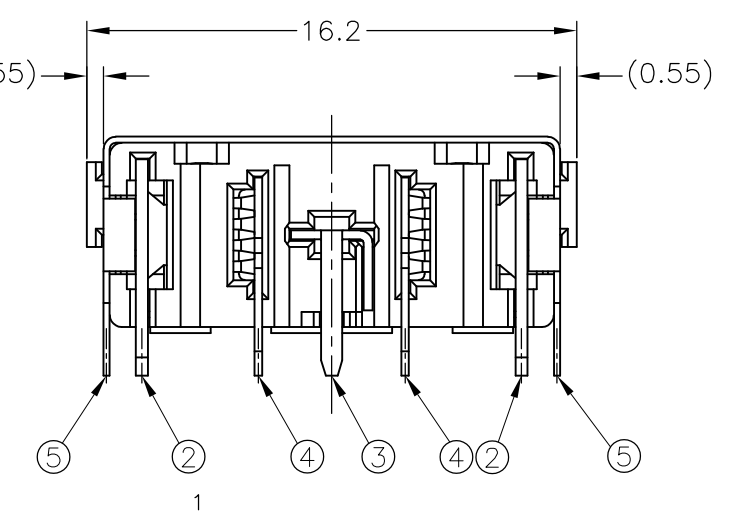
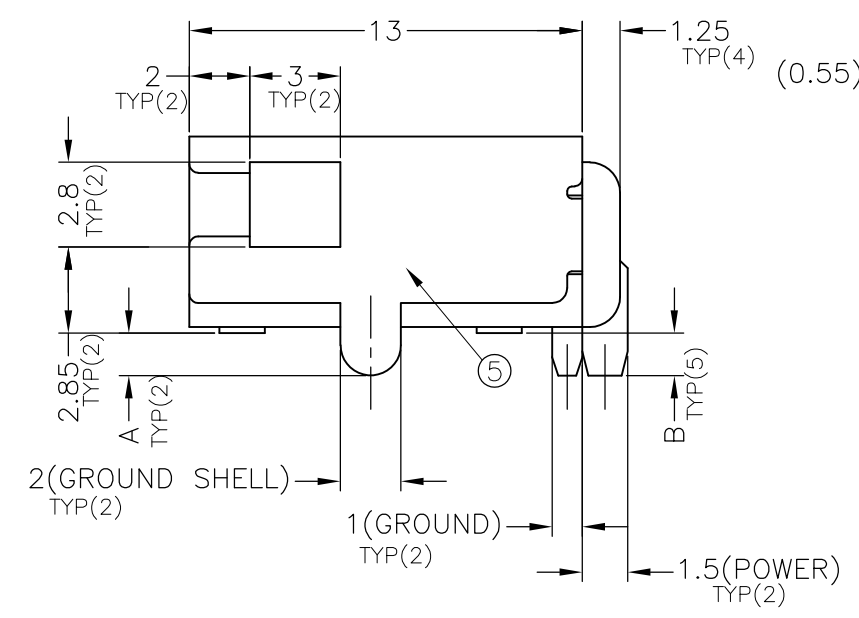


- EU ROHS-RELATED RESTRICTED SUBSTANCE SPEC IN HOMOGENEOUS MATERIAL REFER TO TEC-138-702 REV.G:
 LEAD < 1000PPM, CADMIUM < 100PPM, MERCURY < 1000PPM
 CHROMIUM VI < 1000PPM, PBB <1000PPM, PBDE < 1000PPM
- HALOGEN FREE SPEC:
 CHLORINE (Cl): 900 ppm MAX.
 BROMINE (Br): 900 ppm MAX.
 CHLORINE (Cl) + BROMINE (Br): 1500 ppm MAX.

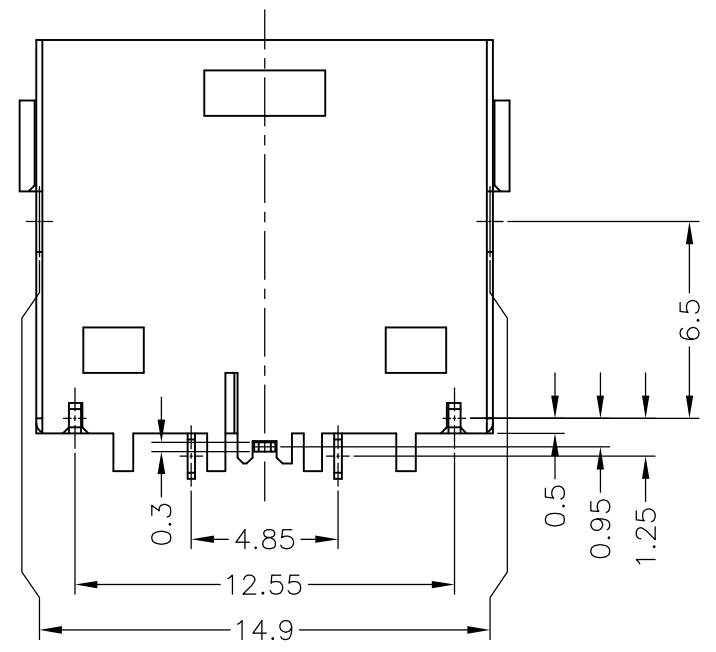


OBSOLETE

		A'SSY P/N				
		2-2129345-1	1-2129345-2	1-2129345-1	2129345-2	2129345-1
DIM B		1.2	1.2	1.4	1.2	1.4
DIM A		1.2	1.2	1.4	1.2	1.4



Q'TY	FINISH/COLOR	MATERIAL	PART NAME	NO.
1	0.002mm MATTE TIN PLATING ON SOLDER AREA, 0.00127mm MIN. NICKEL UNDERPLATED ALL OVER	COPPER ALLOY	GROUND SHELL	⑤
2	0.0002mm GOLD PLATING ON CONTACT AREA, 0.002mm MATTE TIN PLATING ON SOLDER AREA, 0.002mm MIN. NICKEL UNDERPLATED ALL OVER	COPPER ALLOY	POWER CONTACT	④
1	0.0002mm GOLD PLATING ON CONTACT AREA, 0.002mm MATTE TIN PLATING ON SOLDER AREA, 0.002mm MIN. NICKEL UNDERPLATED ALL OVER	COPPER ALLOY	DETECT CONTACT	③
2	0.0002mm GOLD PLATING ON CONTACT AREA, 0.002mm MATTE TIN PLATING ON SOLDER AREA, 0.002mm MIN. NICKEL UNDERPLATED ALL OVER	COPPER ALLOY	GROUND CONTACT	②
1	BLACK	HIGH TEMPERATURE THERMO-PLASTIC (UL94V-0)	HOUSING	①
1	YELLOW			



THIS DRAWING IS A CONTROLLED DOCUMENT.

DIMENSIONS:	TOLERANCES UNLESS OTHERWISE SPECIFIED:
mm	
	0 PLC ± -
	1 PLC ± -
	2 PLC ± - ±0.25
	3 PLC ± - ±3°
	4 PLC ± -
	ANGLES ± -
MATERIAL	FINISH
SEE TABLE	

DWN	S.HUANG	24FEB12
CHK	V.PENG	24FEB12
APVD	W.KODAMA	24FEB12
PRODUCT SPEC		
APPLICATION SPEC	108-99035	
WEIGHT	501-99040	
CUSTOMER DRAWING		

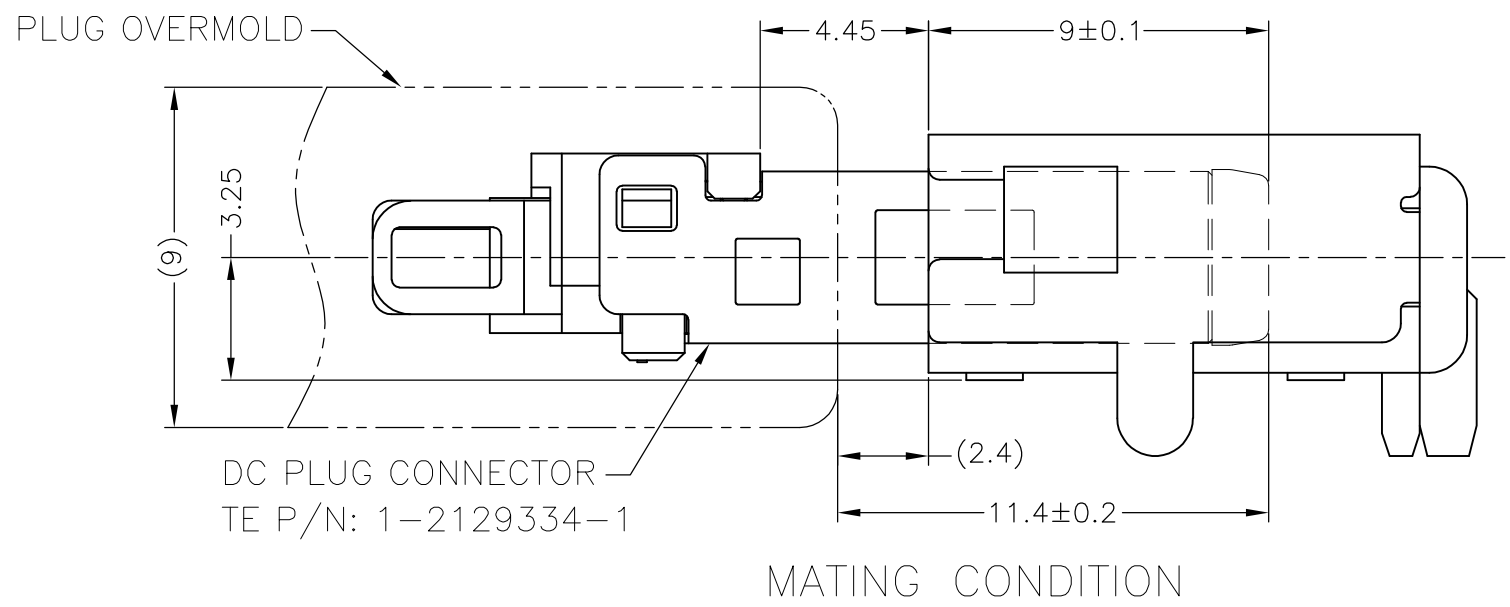
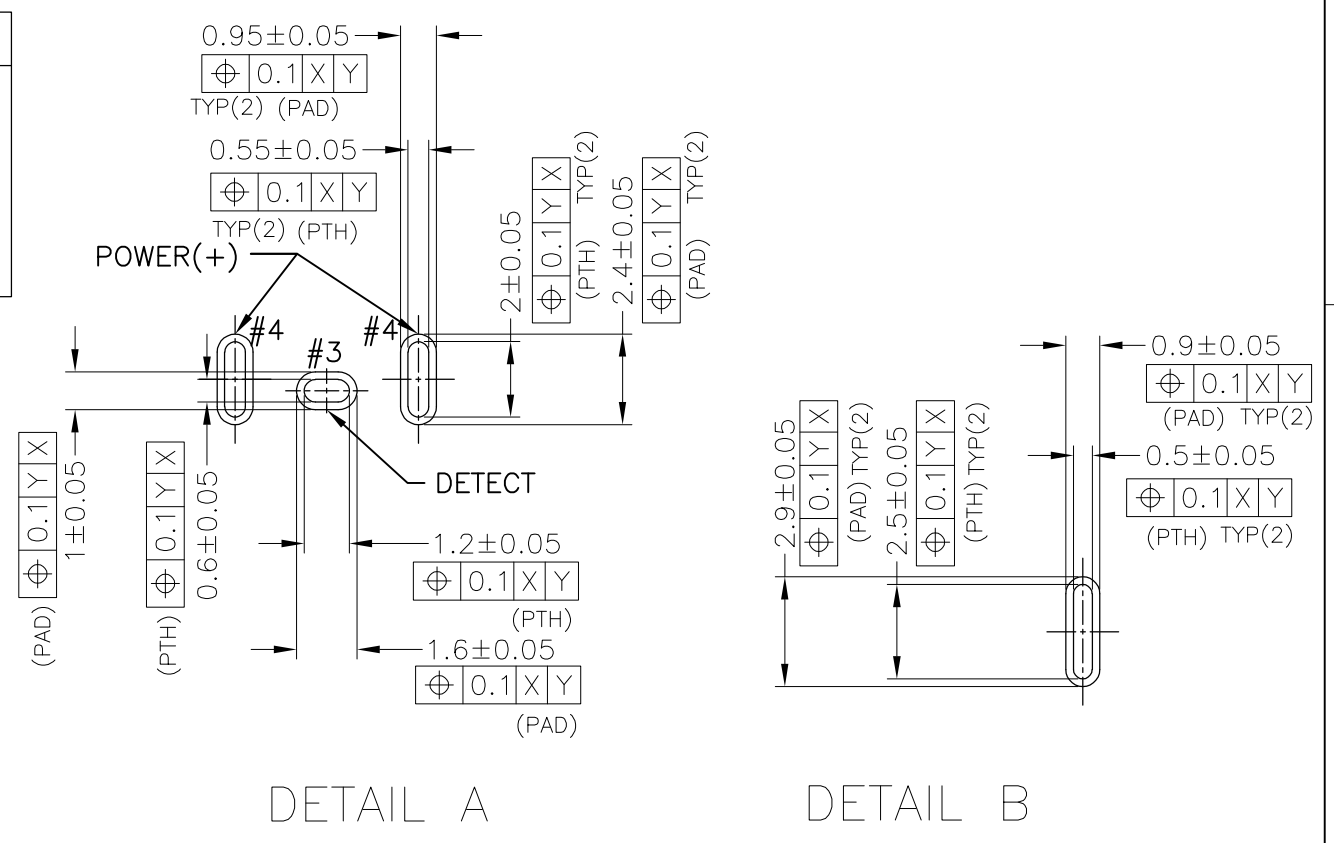
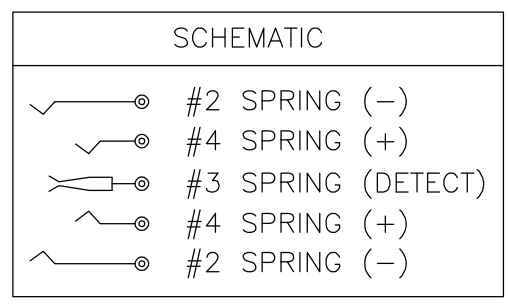
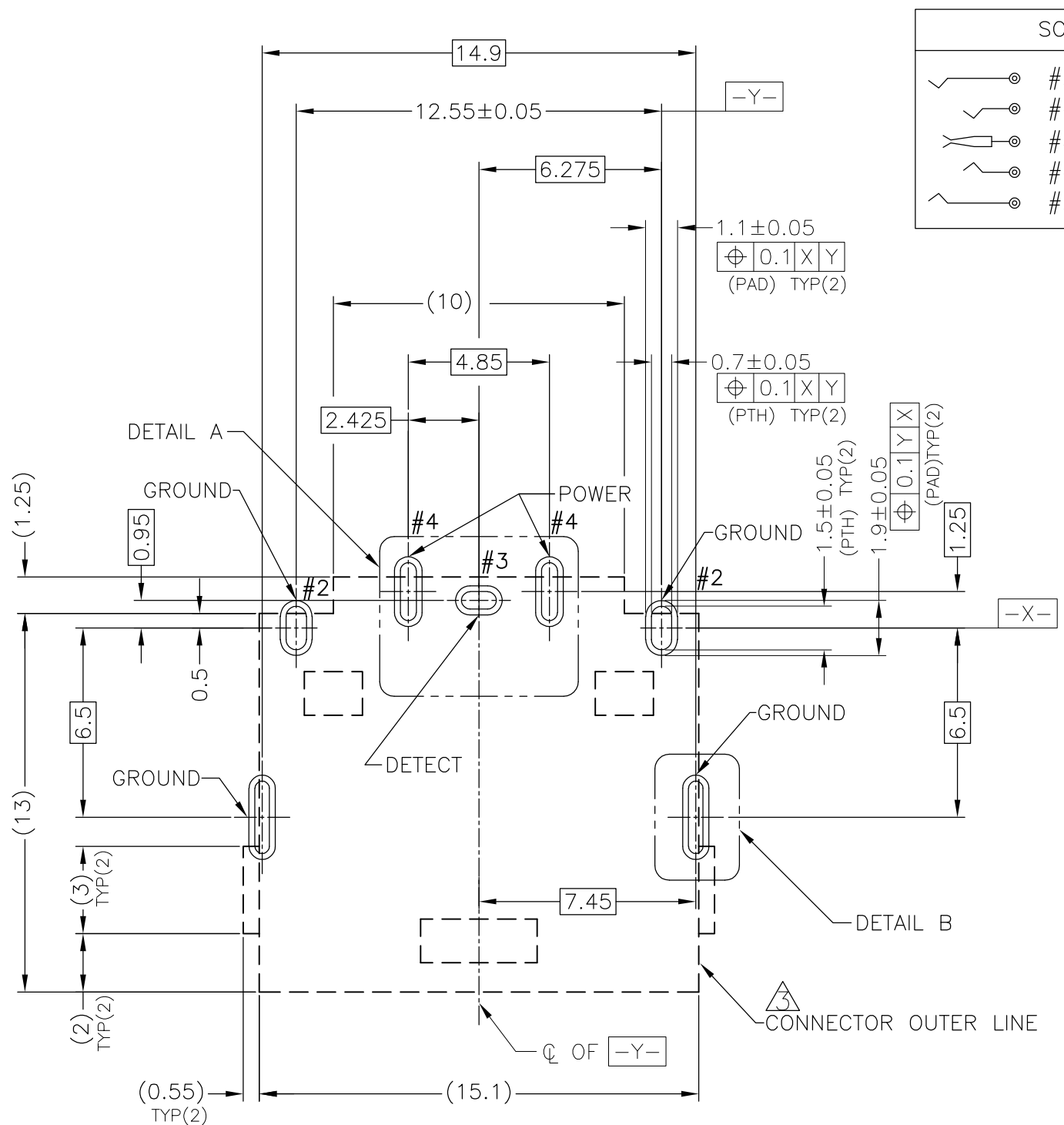


DC POWER JACK CONNECTOR
DIP TYPE

NAME			
SIZE	CAGE CODE	DRAWING NO	RESTRICTED TO
A3	00779	C-2129345	
SCALE	SHEET	REV	
4:1	1 OF 3	B6	

THIS DRAWING IS UNPUBLISHED. RELEASED FOR PUBLICATION
 © COPYRIGHT - By - ALL RIGHTS RESERVED.

LOC	DIST	REVISIONS			
P	LTR	DESCRIPTION	DATE	DWN	APVD
		SEE SHEET 1	-	-	-



RECOMMENDED P.C.BOARD PATTERN LAYOUT (TOP VIEW)
 TOLERANCE:±0.05 (THICKNESS=0.8mm)

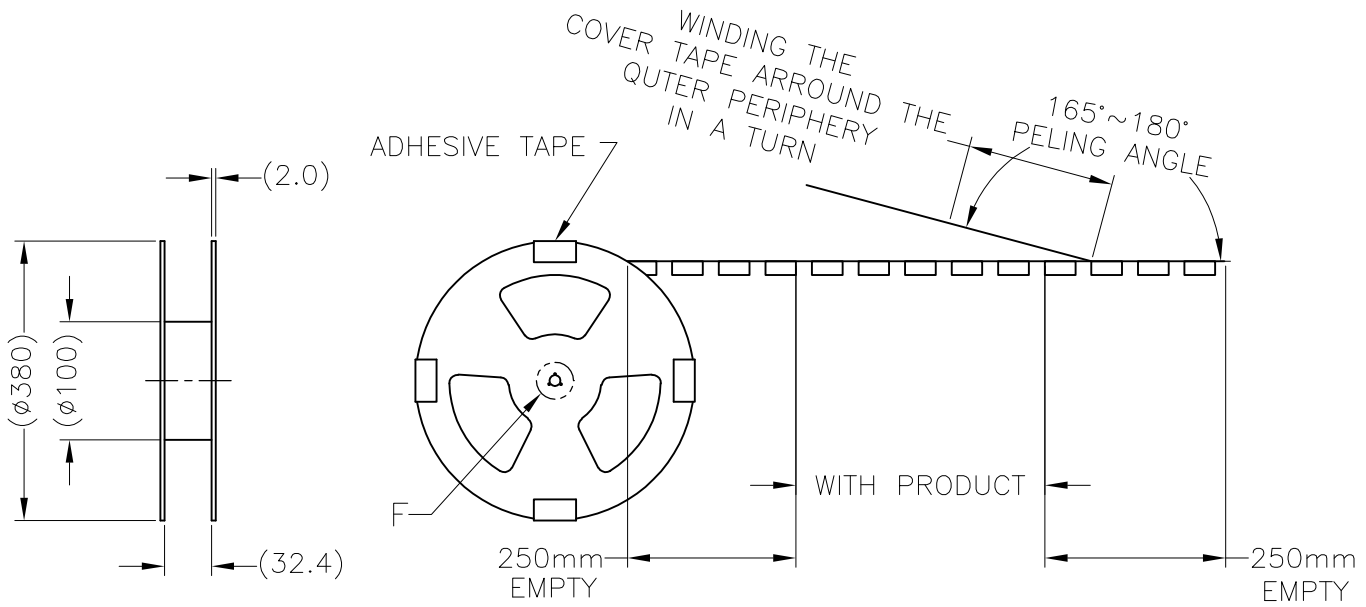
⚠ [] : CONNECTOR OUTER LINE (NO COMPONENT AREA)

THIS DRAWING IS A CONTROLLED DOCUMENT.		DWN		TE Connectivity	
DIMENSIONS: mm		CHK			
TOLERANCES UNLESS OTHERWISE SPECIFIED:		APVD		NAME	
0 PLC ± -		PRODUCT SPEC		DC POWER JACK CONNECTOR	
1 PLC ± -		APPLICATION SPEC		DIP TYPE	
2 PLC ± - ±0.25		WEIGHT		SIZE	
3 PLC ± - ±3°		CUSTOMER DRAWING		CAGE CODE	
4 PLC ± -		SCALE 5:1		DRAWING NO	
ANGLES ± -		SHEET 2 OF 3		RESTRICTED TO	
FINISH		REV B6		A3 00779 C-2129345	

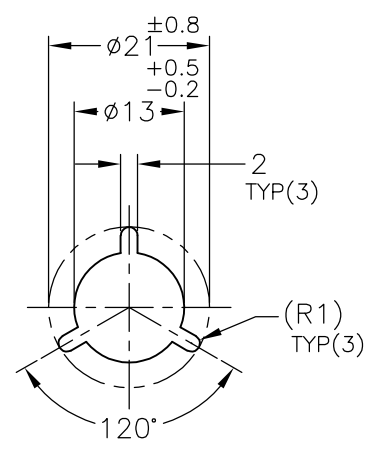
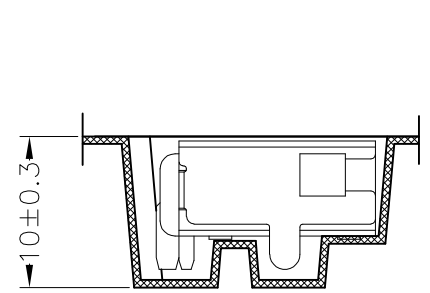
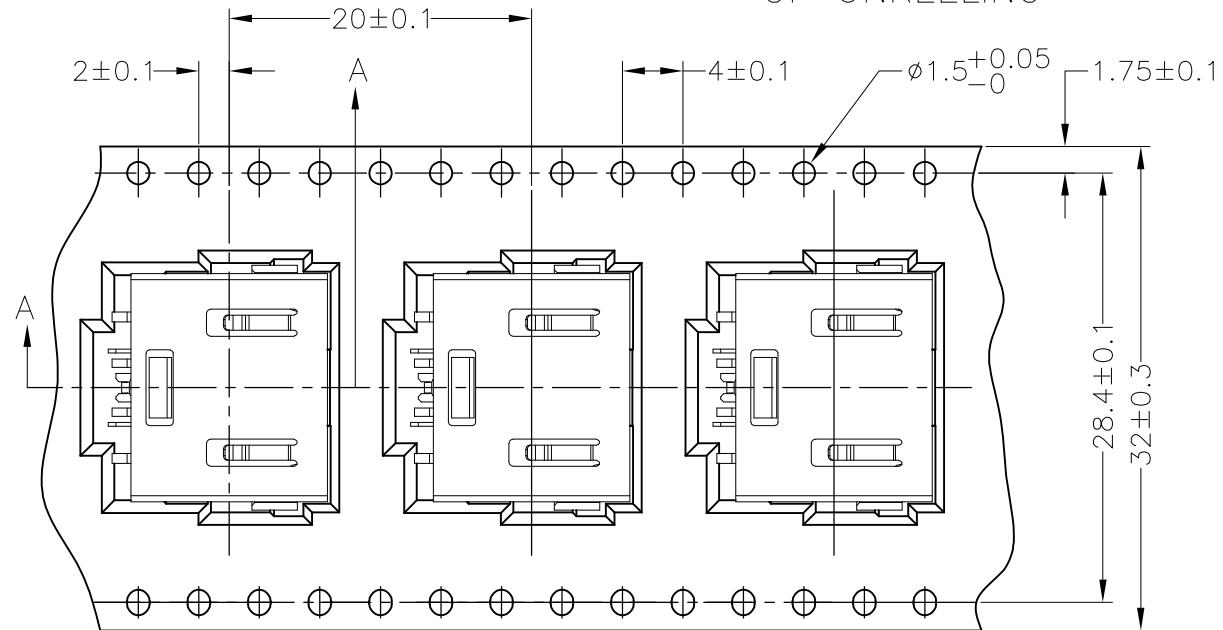
THIS DRAWING IS UNPUBLISHED. RELEASED FOR PUBLICATION
 © COPYRIGHT - By - ALL RIGHTS RESERVED.

LOC	DIST	REVISIONS			
P	LTR	DESCRIPTION	DATE	DWN	APVD
DW	/	SEE SHEET 1	-	-	-

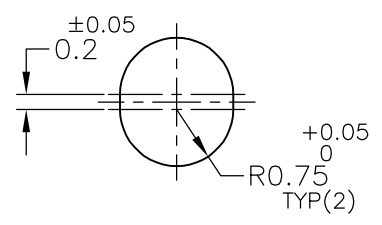
4. SHIPPING BOX DIMENSION: 445mmX445mmX270mm



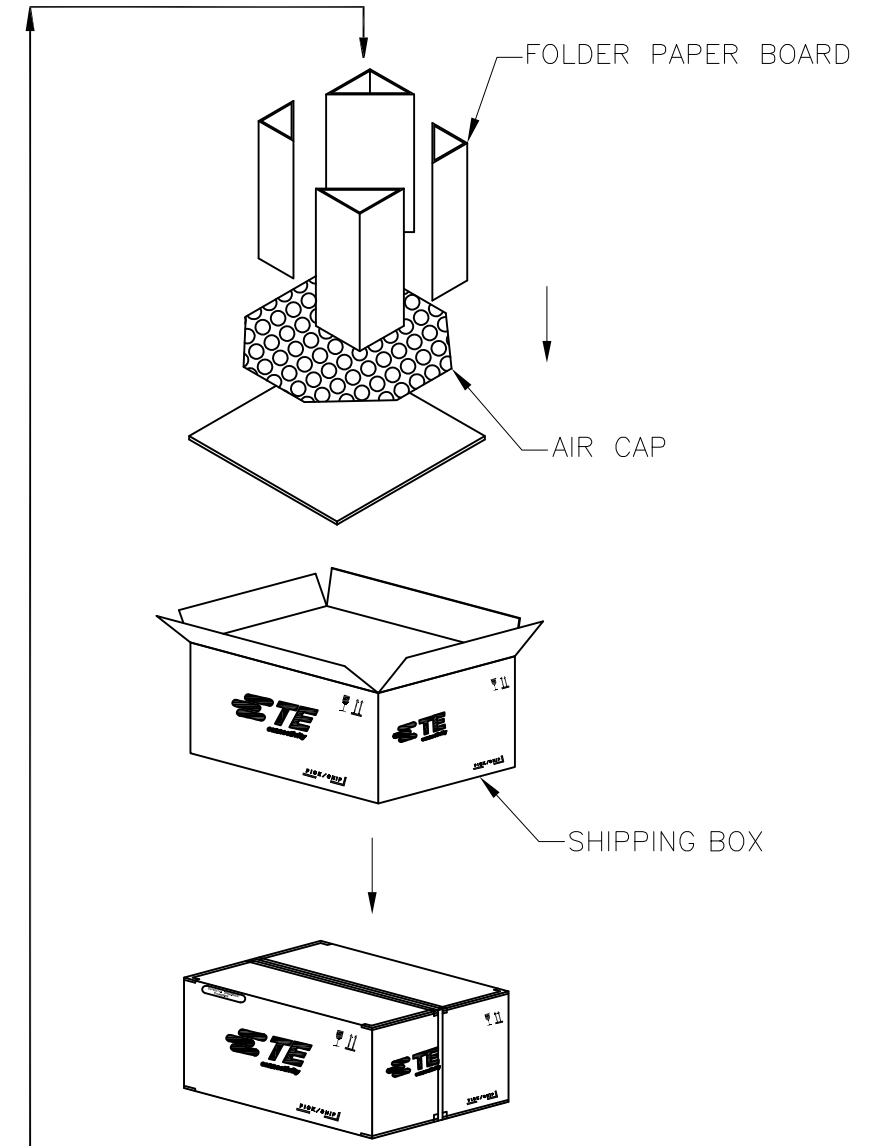
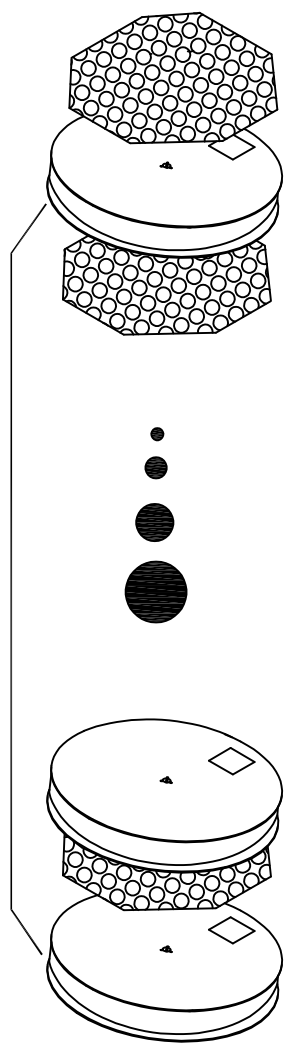
USER DIRECTION OF UNREELING



DETAIL F SCALE: FREE



DETAIL G SCALE 10:1



450	5	2250
PCS/REEL	REEL/SHIPPING BOX	TOTAL Q'TY

THIS DRAWING IS A CONTROLLED DOCUMENT.		DWN			
DIMENSIONS: mm		CHK			
TOLERANCES UNLESS OTHERWISE SPECIFIED:		APVD	NAME		
0 PLC ± -		PRODUCT SPEC	DC POWER JACK CONNECTOR		
1 PLC ± -		APPLICATION SPEC	DIP TYPE		
2 PLC ± - ±0.25		WEIGHT	SIZE	CAGE CODE	DRAWING NO
3 PLC ± - ±3°		CUSTOMER DRAWING	A3	00779	C-2129345
4 PLC ± -		SCALE	NA	SHEET	3 OF 3
ANGLES ± -		REV	B6		
FINISH		RESTRICTED TO			