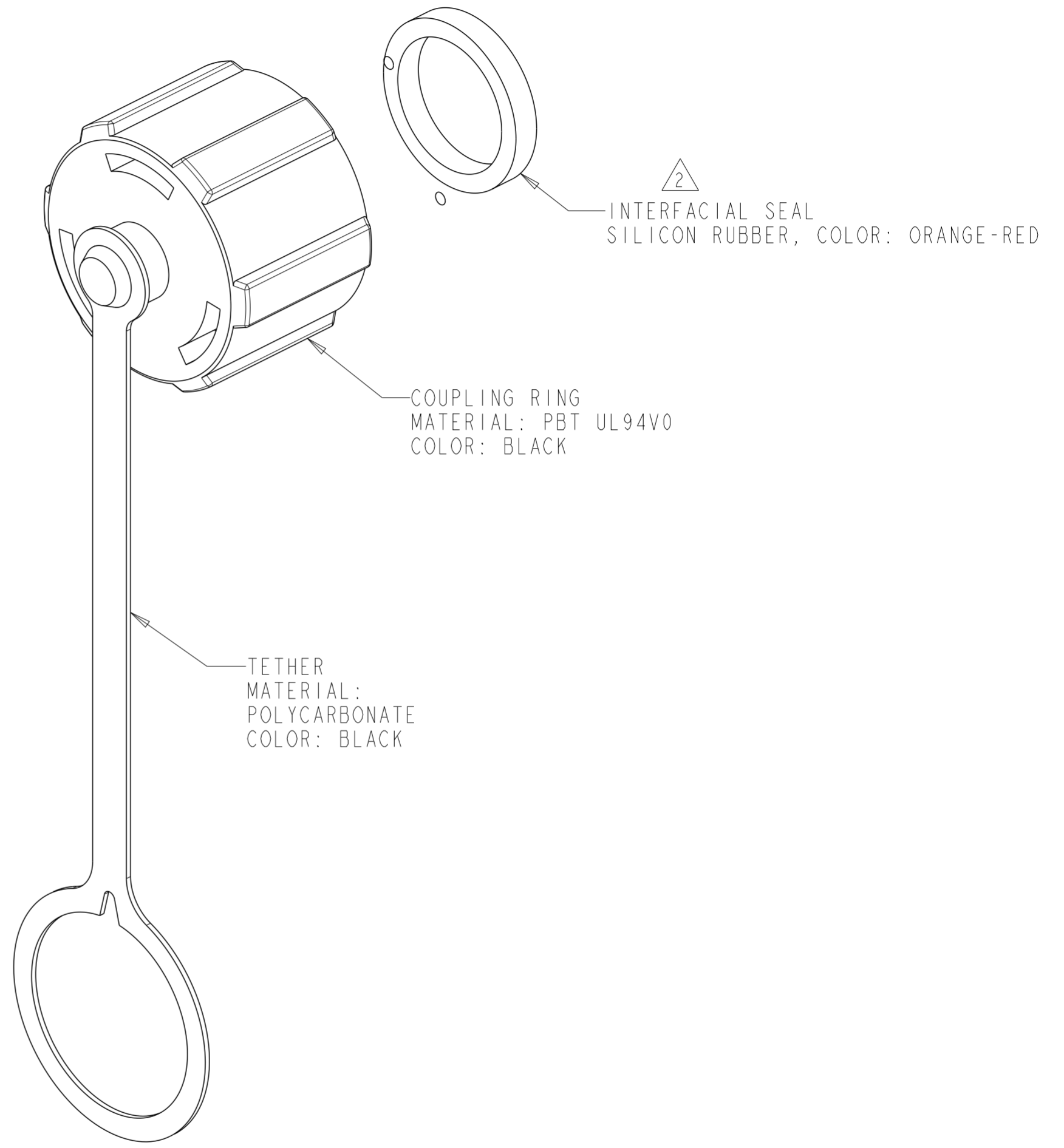
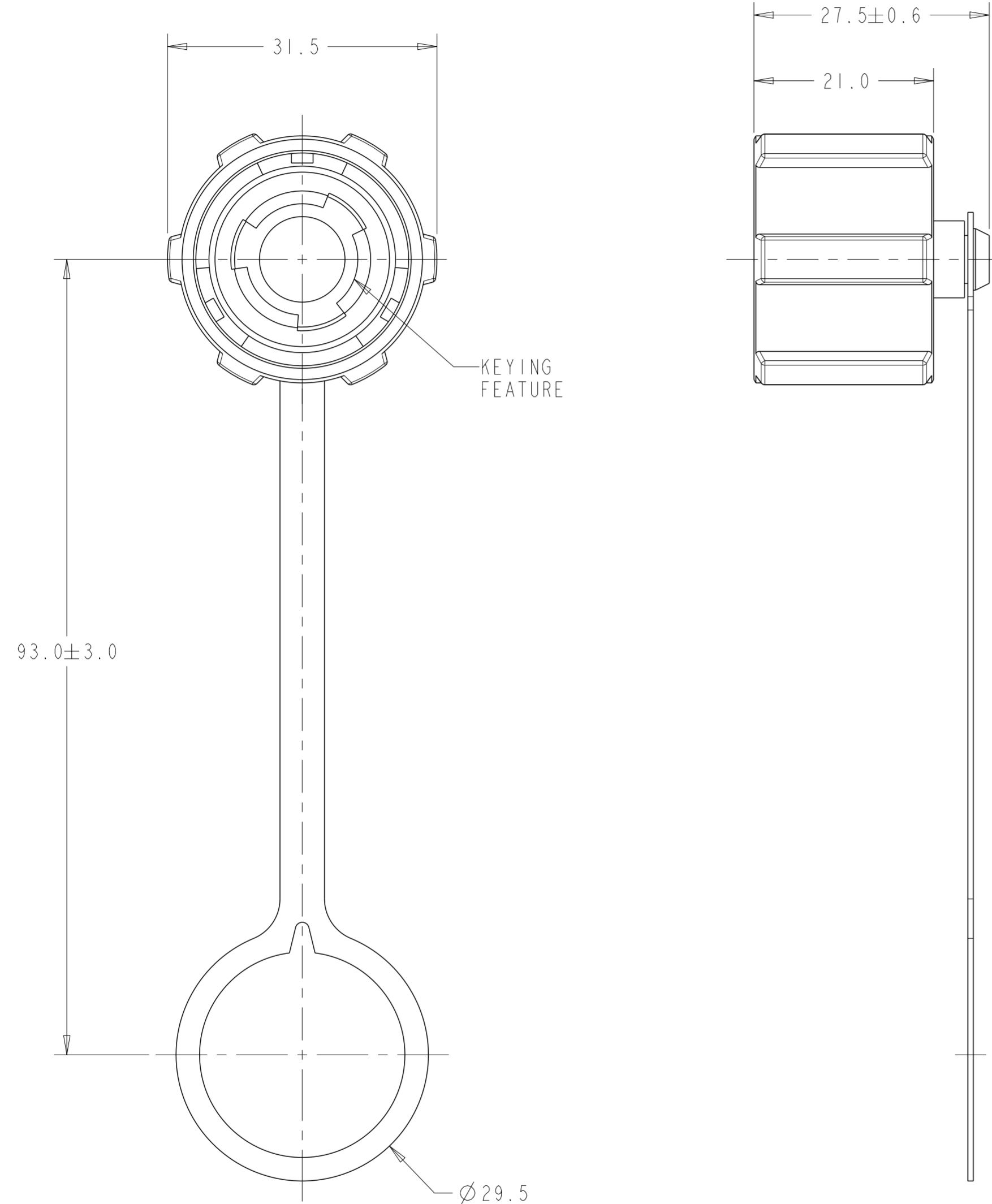


THIS DRAWING IS UNPUBLISHED. RELEASED FOR PUBLICATION 20
 © COPYRIGHT 20 ALL RIGHTS RESERVED.

LOC	DIST	REVISIONS					
FT	0	P	LTR	DESCRIPTION	DATE	DWN	APVD
		B2		REVISED PER ECO-11-005027	18MAY2011	RK	HMR
		B3		MATERIAL CALLOUT UPDATED	30JAN2020	SS	JK



1. PACKAGED IN POLYBAG.
 2 SEAL IS SECURED TO COUPLING RING WITH ADHESIVE.

1738611-1
 PART NUMBER

THIS DRAWING IS A CONTROLLED DOCUMENT.		DWN R. L. KOLLER 25MAR04	TE Connectivity	
		CHK J. LANDIS 26MAR04		
DIMENSIONS: mm		APVD S. HEADER 17JUN05	NAME PROTECTIVE COVER ASSEMBLY, RECEPTACLE, INDUSTRIAL CIRCULAR ETHERNET CONNECTOR	
TOLERANCES UNLESS OTHERWISE SPECIFIED: 0 PLC ±0.3 1 PLC ±0.2 2 PLC ±0.10 3 PLC ± 4 PLC ± ANGLES ±1° FINISH		PRODUCT SPEC 108-2198	RESTRICTED TO	
MATERIAL		APPLICATION SPEC 114-13136	SIZE A2	CAGE CODE 00779
		WEIGHT -	DRAWING NO C-1738611	SCALE 2:1
		CUSTOMER DRAWING	SHEET 1	OF 1
			REV B3	