

THIS DRAWING IS UNPUBLISHED.

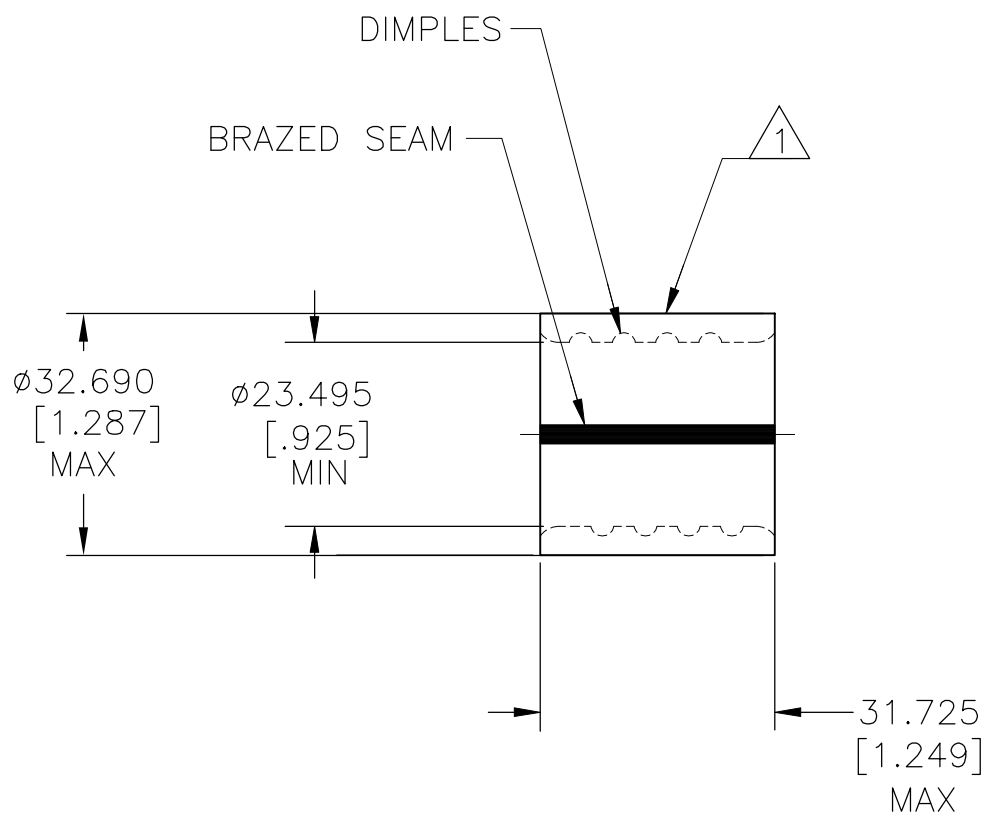
RELEASED FOR PUBLICATION

REVISIONS

© COPYRIGHT - TE Connectivity Ltd.

ALL RIGHTS RESERVED.

| P | LTR | DESCRIPTION | DATE | DWN | APVD |
|---|-----|---------------------------|-----------|-----|------|
| | D | REV PER 0G3A-0435-02 | 30SEP02 | - | JR |
| | D1 | REVISED PER ECO-19-001989 | 08FEB2019 | RS | DR |



| | |
|--------------------------|---------------------------|
| AMP WIRE RANGE | E13288 Listed |
| 400 MCM STRANDED | 400 MCM STRANDED |
| LR7189 Certified | MILITARY P/N AND CLASS |
| 400 MCM STRANDED | NOT APPLICABLE |

- 1 STAMP AMP W* 400 MCM APPROX AS SHOWN
- 2 MATERIAL THK: 3.911±0.102[.154±.004]
- 3 STAMP FOR MANUFACTURING LOCATION OR CODE PERMISSIBLE.

AMP INCORPORATED
CUSTOMER SERVICE SYSTEMS

THIS DRAWING IS A CONTROLLED DOCUMENT.

| | | |
|------|------------|---------|
| DWN | DK SCHRUM | 5/6/93 |
| CHK | AJ KAUFMAN | 5/14/93 |
| APVD | RE ROSER | 5/14/93 |



| | | |
|---|--|--|
| FOR ADDITIONAL PRODUCT INFORMATION OR COPIES OF DRAWINGS AND TECHNICAL DOCUMENTS | PRODUCT INFORMATION CENTER 1-800-522-6752 | MAX RECOMMENDED OPERATING TEMPERATURE: 170°C [338°F] MAX |
| FOR APPLICATION | TOOLING ASSISTANCE CENTER | |
| TOOLING INFORMATION | 1-800-722-1111 | VOLTAGE RATING: NOT APPLICABLE |
| FOR ORDER ENTRY | 1-800-526-5142 | CIRCULAR MIL AREA: 192.5-242.2mm ² [380-478] MCM STRANDED |

| | |
|----------------------------|---|
| DIMENSIONS: mm [INCHES] | TOLERANCES UNLESS OTHERWISE SPECIFIED: |
| | 0 PLC ± - |
| | 1 PLC ± - |
| | 2 PLC ± - |
| | 3 PLC ± 0.203[.008] |
| | 4 PLC ± - ± - |
| | ANGLES ± - |

| | |
|---|--|
| MATERIAL COPPER PER ASTM B-152 ANNEALED | FINISH TIN PLATE 0.00254[.000100] MIN THK PER ASTM B545 |
|---|--|

| | |
|------------------|---------|
| PRODUCT SPEC | UL 486C |
| APPLICATION SPEC | - |
| WEIGHT | - |
| CUSTOMER DRAWING | |

| | | |
|-----|--------------|---------|
| 25 | LOOSE PIECE | 322277 |
| QTY | PACKAGE TYPE | PART NO |

| | | | |
|---|-----------|--------------|---------------|
| NAME SPLICE, PARALLEL, SOLISTRAND, WIRE SIZE: 400 MCM | | | |
| SIZE | CAGE CODE | DRAWING NO | RESTRICTED TO |
| A3 | 00779 | C-322277 | - |
| SCALE 1:1 | | SHEET 1 OF 1 | REV D1 |