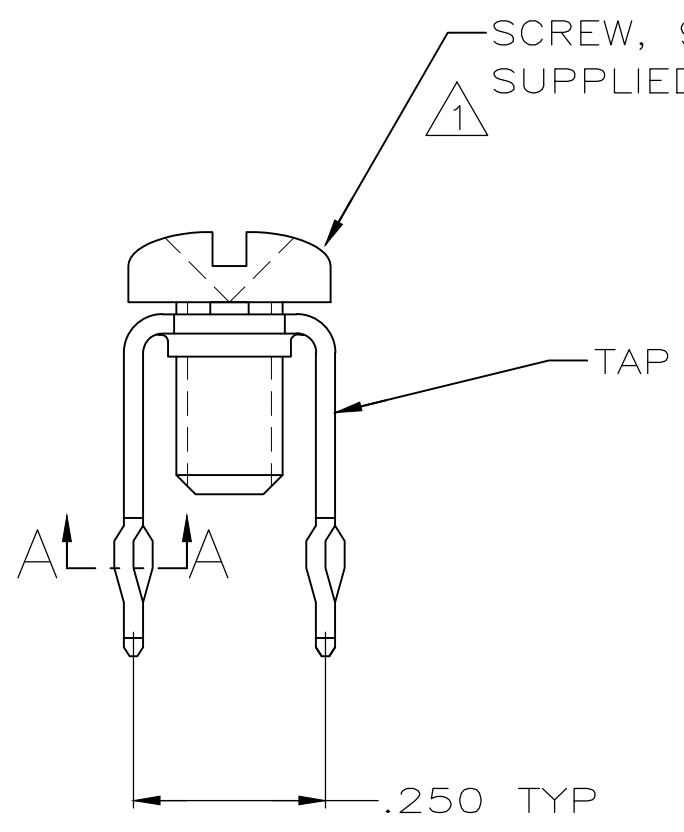
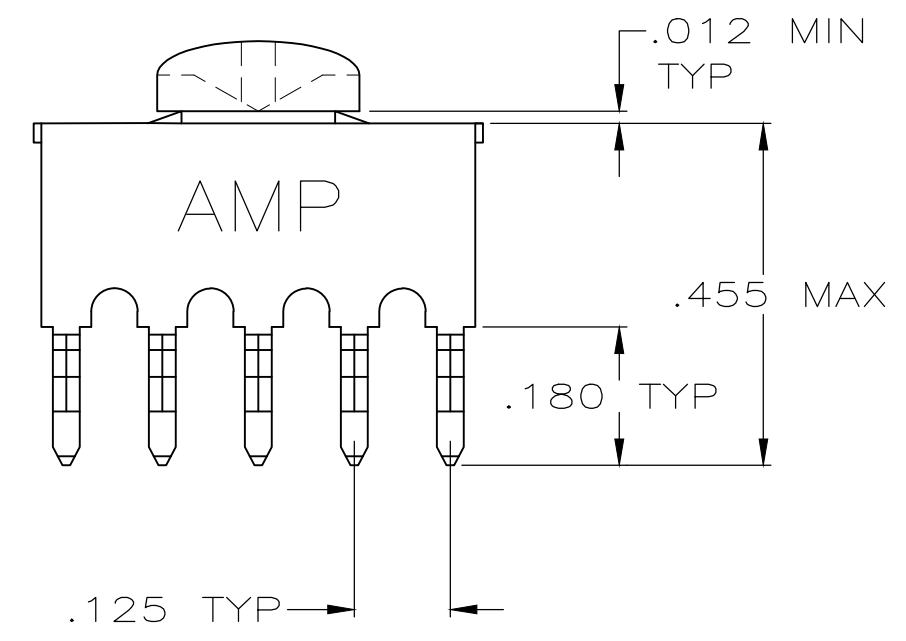
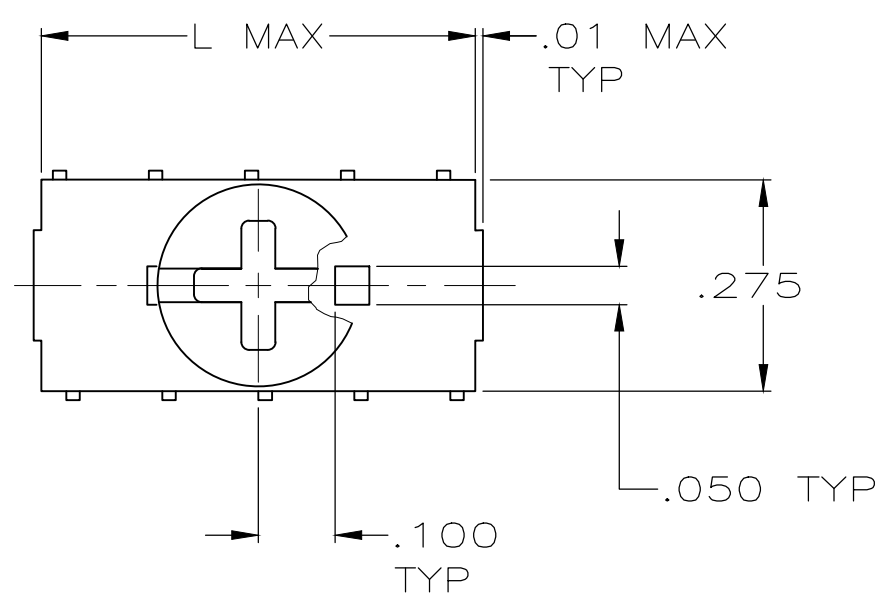


THIS DRAWING IS UNPUBLISHED. RELEASED FOR PUBLICATION
 © COPYRIGHT BY TYCO ELECTRONICS CORPORATION. ALL RIGHTS RESERVED.

LOC	DIST	REVISIONS			
P	LTR	DESCRIPTION	DATE	DWN	APVD
AA	00				
	C2	REV PER ECR-19-012678	13AUG2019	ML	SZ



SECTION A-A
 SCALE 10:1
 10 PLACES

SCREW, 993879-1
 SUPPLIED UNASSEMBLED, SEE TABLE

- ① TO PREVENT THREAD STRIPPING, SCREW TORQUE SHOULD NOT EXCEED 9 IN LBS.
- ② TAP HOLE IS 6-32UNC-2B, TWO MIN THREADS
- ③ FINISH .000150 MATTE TIN OVER .000050 NICKEL .
- ④ COPPER ALLOY HIGH CONDUCTIVITY, .025 THICK
- ⑤ REFERENCE APPLICATION SPECIFICATION 114-11000 FOR DRILL HOLE SIZE AND FINISHES
- ⑥ PACKAGE: REEL TYPE, CONNECTOR WITH KAPTON.
- ⑦ PACKAGE: PLASTIC BOX PACKAGE.

⑦	.32	NO	6	3-5055323-5
⑥	.32	NO	6	2-5055323-5
	.57	YES	10	1-5055323-0
	.32	YES	6	5055323-9
	.57	NO	10	5055323-6
	.32	NO	6	5055323-5
	L	993879-1	NUMBER OF POSN	PART NO

THIS DRAWING IS A CONTROLLED DOCUMENT.		DWN J. ALCORTA - DOCK5 05-04-05	Tyco Electronics Corporation Harrisburg, PA 17105-3608	
DIMENSIONS: INCHES		CHK A. FRANTUM 05-04-05		
TOLERANCES UNLESS OTHERWISE SPECIFIED:		APVD S. FLICKINGER 05-04-05	NAME TAP, POWER DISTRIBUTION	
0 PLC ± - 1 PLC ± - 2 PLC ± - 3 PLC ± .008 4 PLC ± - ANGLES ± -		PRODUCT SPEC 108-11030	RESTRICTED TO	
MATERIAL		APPLICATION SPEC 114-11000	SIZE A3	CAGE CODE 00779
FINISH		WEIGHT -	DRAWING NO C-5055323	REV C2
④		CUSTOMER DRAWING		SCALE 4:1 SHEET 1 OF 1