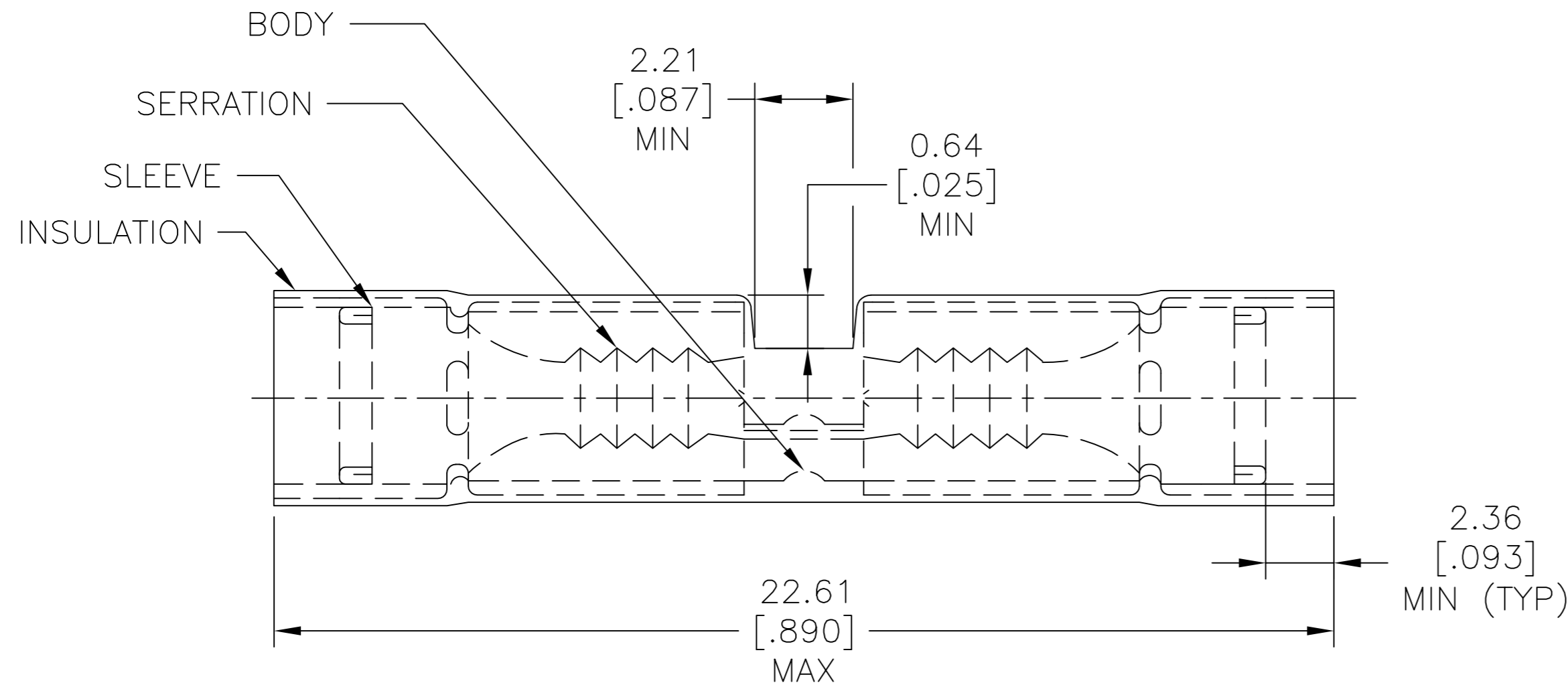


THIS DRAWING IS UNPUBLISHED. RELEASED FOR PUBLICATION - , - .
 © COPYRIGHT - By - ALL RIGHTS RESERVED.

| REVISIONS | | | | |
|-----------|-----|---------------------------|-----------|----------|
| P | LTR | DESCRIPTION | DATE | DWN APVD |
| | T3 | REVISED PER ECO-11-004820 | 11MAR11 | RK HMR |
| | T4 | REVISED PER ECO-17-009107 | 23JUN2017 | RS DR |

| AMP WIRE RANGE | MILITARY WIRE RANGE |
|--------------------|---------------------|
| 26-22 AWG STRANDED | 26-24 AWG STRANDED |



- 1 WIRE INSULATION DIA: ϕ 1.27-2.08 [ϕ .050-.082]
- 2 MATERIAL, BODY - COPPER PER ASTM B-152
SLEEVE - COPPER PER ASTM B-152
INSULATION - NYLON -COLOR - YELLOW
- 3 NOTE DELETED.

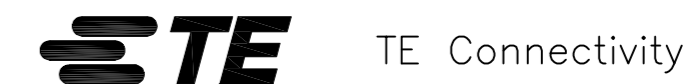
| | | | |
|-------------------------------------|------|------------------|------------|
| -- | 25 | LOOSE PIECE, BOX | 8-323994-3 |
| -- | 50 | LOOSE PIECE, BOX | 8-323994-2 |
| -- | 50 | LOOSE PIECE | 2-323994-2 |
| -- | 4000 | ON TAPE, REEL | 2-323994-1 |
| 26-24 M7928/5-1 CLASS 1 & 2 | 50 | LOOSE PIECE | 323994 |
| MILITARY P/N & CLASS PER MIL-T-7928 | QTY | PACKAGE TYPE | PART NO |

AMP INCORPORATED
CUSTOMER SERVICE SYSTEMS

MAX RECOMMENDED OPERATING TEMPERATURE:
105°C [221°F]

THIS DRAWING IS A CONTROLLED DOCUMENT.

DWN S.S. GOULDEN 9-28-93



FOR ADDITIONAL PRODUCT INFORMATION OR COPIES OF DRAWINGS AND TECHNICAL DOCUMENTS

PRODUCT INFORMATION CENTER
1-800-522-6752

VOLTAGE RATING:
-

DIMENSIONS:
mm [INCHES]

TOLERANCES UNLESS OTHERWISE SPECIFIED:

CHK R. HERSEY 9-28-93

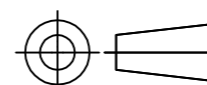
APVD M. ELLIS 9-28-93

NAME
SPLICE, BUTT, PIDG,
WIRE SIZE 26-22 AWG

FOR APPLICATION TOOLING INFORMATION

TOOLING ASSISTANCE CENTER
1-800-722-1111

CIRCULAR MIL AREA:
0.10-0.41mm² [202-810] STRANDED



0 PLC ± -
1 PLC ± -
2 PLC ± 0.20[.008]
3 PLC ± -
4 PLC ± -
ANGLES ± -

PRODUCT SPEC

APPLICATION SPEC

SIZE CAGE CODE DRAWING NO RESTRICTED TO

FOR ORDER ENTRY

1-800-526-5142

THIS DRAWING IS A CONTROLLED DOCUMENT FOR AMP INCORPORATED. IT IS SUBJECT TO CHANGE AND THE CONTROLLING ENGINEERING ORGANIZATION SHOULD BE CONTACTED FOR THE LATEST REVISION.



FINISH
TIN PL PER ASTM B-545

WEIGHT

CUSTOMER DRAWING

A3 00779 C=323994

SCALE NTS SHEET 1 OF 1 REV T4