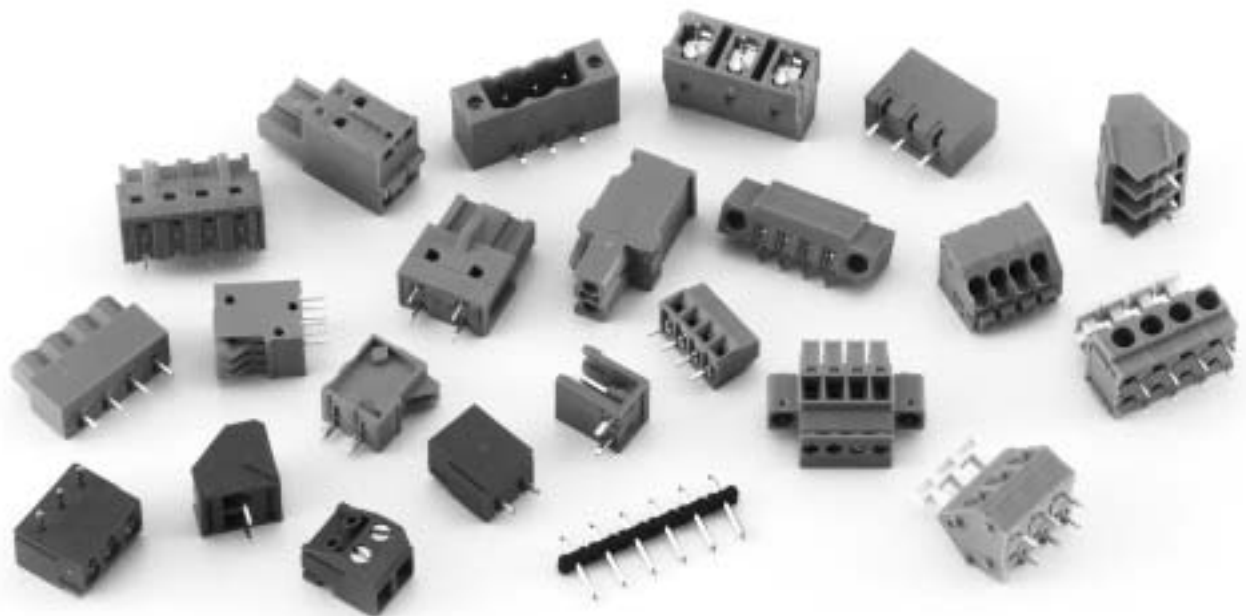




# Terminal Block WR-TBL





## Terminal Block WR-TBL

Würth Elektronik WR-TBL are available in many different connection types and offer large and modular terminal block possibilities in order to fulfill most of the requirements which can be found in the industrial marketplace.

- Wire protector system → the cost effective solution for a secure connection
- Rising clamp system → the quality screwed connection
- Pluggable system → easy mating/un-mating
- Spring clamp system → the screwless solution

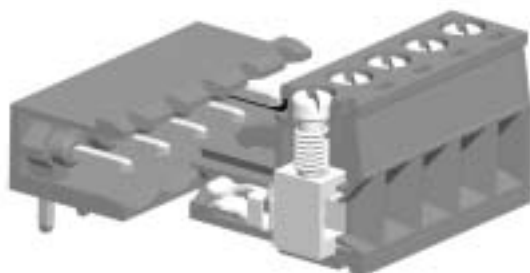
Wire protector system



Rising clamp system



Pluggable system



Spring clamp system



### Approval n°

UL File E315414  
VDE 40022614  
VDE 40022612

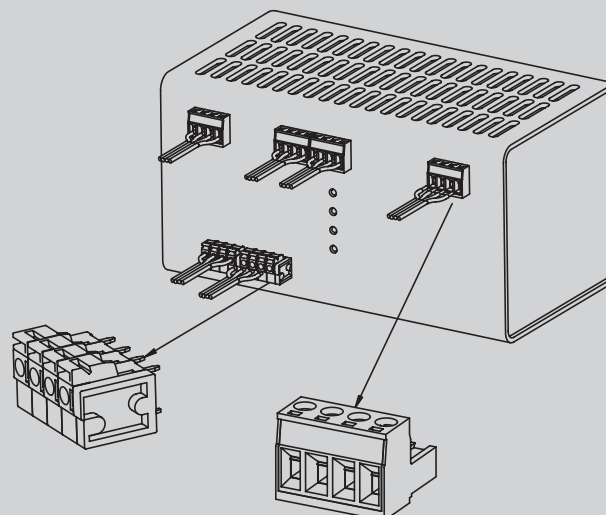
VDE 40022608  
VDE 40024437  
VDE 40023195

VDE 40023402  
VDE 40023651  
VDE 40023652  
VDE 40023353



## Terminal Block WR-TBL

<b>NEW</b>		3.50mm Wire protector system	14-06
		5.00mm Wire protector system	14-07 to 14-11
<b>NEW</b>		3.50mm Rising clamp system	14-12
		5.00mm Rising clamp system	14-13 to 14-17
<b>NEW</b>		5.08mm Rising clamp system	14-18
<b>NEW</b>		7.50mm Rising clamp system	14-19
<b>NEW</b>		7.62mm Rising clamp system	14-20
<b>NEW</b>		10.16mm Rising clamp system	14-21
<b>NEW</b>		3.50mm Pluggable system	14-22 to 14-31
		3.81mm Pluggable system	14-32 to 14-41
		5.00mm Pluggable system	14-42 & 14-43
<b>NEW</b>		5.00mm Pluggable system	14-44 to 14-53
		5.08mm Pluggable system	14-54 to 14-70
<b>NEW</b>		7.62mm Pluggable system	14-71 to 14-85
<b>NEW</b>		Coding key	14-86 & 14-87
<b>NEW</b>		2.54mm Spring clamp system	14-88 & 14-89
<b>NEW</b>		3.50mm Spring clamp system	14-90
		5.00mm Spring clamp system	14-91 to 14-95
<b>NEW</b>		Design Kit	14-96





## Terminal Block WR-TBL

Sub-family	Pitch	PCB/Cable	Modularity	Type	Colour	Option	Wire/Height	p/n	page				
Pressure clamp system	3.5mm pitch	PCB	Modular	Horizontal cable entry	Blue		1,5mm <sup>2</sup>	691 103 110 0xx	14-6	NEW			
	5.0mm pitch						2,5mm <sup>2</sup>	691 101 710 0xx	14-7	NEW			
				1,5mm <sup>2</sup>			691 102 710 0xx	14-8					
				1,5mm <sup>2</sup>			691 104 700 0xx	14-9					
	Not modular			Horizontal cable entry			Green	2.0mm <sup>2</sup>	691 111 710 0xx	14-10			
3.0mm <sup>2</sup>			691 121 710 0xx	14-11									
Rising cage clamp system	3.5mm pitch		Modular	Not modular	Horizontal entry		Blue	1.5mm <sup>2</sup>	691 214 110 0xx	14-12	NEW		
	5.0mm pitch				45° cable entry			Green	3.5mm <sup>2</sup>	691 201 720 0xx	14-13		
					Horizontal cable entry		3.5mm <sup>2</sup> /15.5mm		691 211 720 0xx	14-14			
					Vertical cable entry		3.5mm <sup>2</sup> /14.3mm		691 212 710 0xx	14-15			
		5.08mm pitch			1.5mm <sup>2</sup> /10.0mm	691 213 710 0xx	14-16						
					3.5mm <sup>2</sup>	691 215 700 0xx	14-17						
	7.5mm pitch				3.5mm <sup>2</sup>	691 216 510 0xx	14-18						
	7.62mm pitch	3.5mm <sup>2</sup>			691 217 910 0xx	14-19							
	10.16mm pitch	3.5mm <sup>2</sup>			691 218 410 0xx	14-20							
8.5mm <sup>2</sup>	691 219 610 0xx	14-21											
Pluggable system	3.5mm pitch	Cable	Not modular	Vertical cable entry	Green	1.5mm <sup>2</sup>	Flanges	691 361 100 0xx	14-22	NEW			
							691 364 100 0xx	14-23					
				Horizontal cable entry			691 363 110 0xx	14-24					
							Flanges	691 365 110 0xx	14-25				
				Hook BS			691 366 110 0xx	14-26					
				Hook/Flanges			691 367 110 0xx	14-27					
		PCB		Vertical		-	691 321 100 0xx	14-28					
				Close ends/Flanges		-	691 323 100 0xx	14-29					
				Close ends		-	691 322 110 0xx	14-30					
				Close ends/Flanges		-	691 325 110 0xx	14-31					
				3.81mm pitch		Cable	Not modular	Vertical cable entry	Green	1.5mm <sup>2</sup>	691 361 300 0xx	14-32	NEW
											Flanges	691 364 300 0xx	14-33
	Horizontal cable entry	Hook WS	691 363 310 0xx		14-34								
		Hook/Flanges	691 365 310 0xx		14-35								
	Hook BS	691 366 310 0xx	14-36										
	Hook/Flanges	691 367 310 0xx	14-37										
	PCB	Vertical	-	691 321 300 0xx	14-38								
		Close ends/Flanges	-	691 323 300 0xx	14-39								
		Close ends	-	691 322 310 0xx	14-40								
		Close ends/Flanges	-	691 325 310 0xx	14-41								
		5.0mm pitch	Cable	Modular	Horizontal	Green	2.0mm <sup>2</sup>	691 301 710 0xx	14-42				
								691 352 710 0xx	14-44				
	PCB		Modular	Pin header	Black		Divisible manually	-	691 300 700 0xx	14-43			
									Vertical cable entry	3.0mm <sup>2</sup>	Flanges	691 343 710 0xx	14-45
											Hook WS	691 351 700 0xx	14-46
									Horizontal cable entry	Hook/Flanges	691 340 700 0xx	14-47	
	Close ends	-	691 311 700 1xx	14-48									
5.08mm pitch	Cable	Not modular	Vertical	Green	3.0mm <sup>2</sup>	Open ends	691 311 700 0xx	14-49					
						Close ends/Flanges	-	691 318 700 0xx	14-50				
						Close ends	-	691 313 710 0xx	14-51				
						Open ends	-	691 312 710 0xx	14-52				
						Close ends/Flanges	-	691 317 710 0xx	14-53				
						Flanges	691 351 500 0xx	14-54					
5.08mm pitch	Cable	Vertical	Flanges	3.0mm <sup>2</sup>	691 340 500 0xx	14-55							
					691 353 500 0xx	14-56							

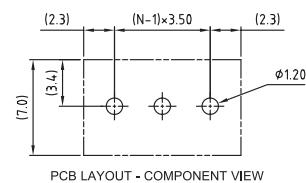
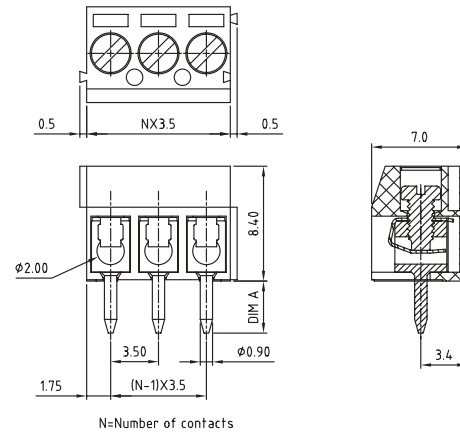


## Terminal Block WR-TBL

Sub-family	Pitch	PCB/Cable	Modularity	Type	Colour	Option	Wire/Height	p/n	page		
Pluggable system	5.08mm pitch	Cable	Not modular	Horizontal cable entry	Green	Hook WS	3.0mm <sup>2</sup>	691 352 510 0xx	14-57	NEW	
						Hook WS/Flanges		691 343 510 0xx	14-58		
						Hook BS		691 344 510 0xx	14-59		
						Hook BS/Flanges		691 345 510 0xx	14-60		
		PCB		Vertical		Close ends	-	691 311 500 1xx	14-61	NEW	
							Open ends	-	691 311 500 0xx		14-62
						Close ends/Flanges	-	691 318 500 0xx	14-63	NEW	
							Close ends	-	691 313 510 0xx		14-64
						Horizontal RA	Open ends	-	691 312 510 0xx	14-65	NEW
								Close ends/Flanges	-	691 317 510 0xx	
						45°	Close ends	-	691 314 520 1xx	14-67	NEW
								Vertical cable entry	2.5mm <sup>2</sup>	691 348 500 0xx	
						Vertical	-			691 307 500 0xx	14-69
							Horizontal RA	-	691 309 510 0xx	14-70	NEW
	Cable	Vertical cable entry	Not modular	Green	Vertical cable entry	3.0mm <sup>2</sup>		691 351 400 0xx	14-71	NEW	
							Flanges	691 340 400 0xx	14-72		
							Hook WS	691 352 410 0xx	14-73		
							Hook WS/Flanges	691 343 410 0xx	14-74		
							Hook BS	691 344 410 0xx	14-75		
							Hook BS/Flanges	691 345 410 0xx	14-76		
							Close ends	-	691 311 400 1xx		14-77
							Open ends	-	691 311 400 0xx		14-78
							Close ends/Flanges	-	691 318 400 0xx		14-79
							Close ends	-	691 313 410 0xx		14-80
	PCB	Horizontal RA	Open ends	-	691 312 410 0xx	14-81	NEW				
				Close ends/Flanges	-	691 317 410 0xx		14-82			
			Vertical cable entry	3.0mm <sup>2</sup>	691 348 400 0xx	14-83	NEW				
					Vertical	-		691 307 400 0xx	14-84		
Horizontal RA			-	691 309 410 0xx	14-85	NEW					
			Coding key	-	-		Red	-	691 399 900 0xx	14-86	NEW
5.0/5.08/7.62mm	-	-		-	-	-	691 399 900 0xx	14-87	NEW		
Screwless	2.54mm pitch	PCB	Not modular	Horizontal cable	Green		0.5mm <sup>2</sup>	691 402 910 0xx	14-88	NEW	
				Vertical cable entry				691 403 900 0xx	14-89		
	3.5mm pitch			45° cable entry	Grey		1.5mm <sup>2</sup>	691 412 120 0xx	14-90	NEW	
				5.0mm pitch	Horizontal cable			Green/Orange	2.0mm <sup>2</sup>		691 401 710 0xx
	Vertical cable entry				691 401 700 0xx		14-92				
	45° cable entry			Grey	3.0mm <sup>2</sup>		691 414 720 0xx	14-93	NEW		
				Horizontal cable			Grey/White	2.0mm <sup>2</sup>		691 411 710 0xx	14-94
	45° cable entry			Grey	3.0mm <sup>2</sup>				691 413 720 0xx	14-95	NEW
Design kit	-	-	-	-		-	691 001	14-96	NEW		

NEW

## Serie 1031 - 3.5mm Horizontal Entry Modular with Pressure Clamp - 1.5mm<sup>2</sup> Wires WR-TBL



### MATERIAL

- Insulator material: PA 66
- Flammability rating: UL94-V0
- Colour: Blue
- Metal housing: Brass (CuZn)
- Terminal screw: Steel Zinc plating "–" slot type
- Wire guard: Stainless steel
- Surface of solder tail plating: Tin

### ENVIRONMENTAL

- Operating temperature: –40 °C up to 105 °C
- Compliance: Lead free & RoHS
- Safety approval: See table

### SOLDERING

- Solder temperature: JEDEC lead free wave soldering

### ELECTRICAL

- Current rating: 10A
- Working voltage: 125Vac
- Withstanding voltage: 1.25kV
- Contact resistance: 20 mOhm max

### MECHANICAL


- Solid wire: 26 - 16AWG / 0.13 - 1.5mm<sup>2</sup>
- Stranded wire: 26 - 16AWG / 0.13 - 1.5mm<sup>2</sup>
- Torque: 1.7Lb-In / 0.2Nm

- Wire strip length: 5 - 6mm
- Screw: M2
- Pitch: 3.5mm

### PACKAGING

- Box

Note: Other pin number are available, based on combinations of 2 & 3pins, but they are not kept in stock and are subject to MOQ

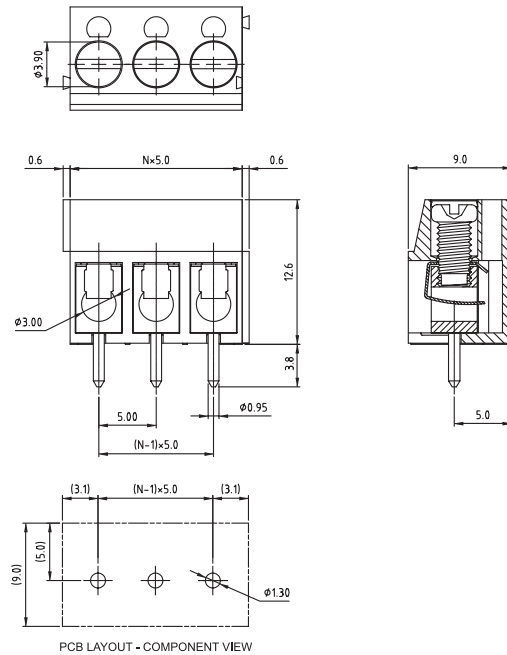
Order Code	Pins	AWG	Approval Certification
691 103 110 002	2	See Mechanical characteristics	
691 103 110 003	3		



## Serie 101 - 5.0mm Horizontal Entry Modular with Pressure Clamp - 2.5mm<sup>2</sup> Wires WR-TBL



Stackable



PCB LAYOUT - COMPONENT VIEW



### MATERIAL

- Insulator material: PA 66
- Flammability rating: UL94-V0
- Colour: Blue
- Metal housing: Brass (CuZn)
- Terminal screw: Steel Zinc plating "–" slot type
- Wire guard: Stainless steel
- Surface of solder tail plating: Tin

### ENVIRONMENTAL

- Operating temperature: –40 °C up to 105 °C
- Compliance: Lead free & RoHS
- Safety approval: See table

### SOLDERING

- Solder temperature: JEDEC lead free wave soldering

### ELECTRICAL

- Current rating: 16A
- Working voltage: 250Vac
- Withstanding voltage: 1.5kV
- Contact resistance: 20 mOhm max

### UL

- 16A
- 250Vac
- 1.5kV

### VDE

- 16A
- 250Vac
- 2.0kV

### MECHANICAL

- Solid wire: 26 - 14AWG / 1.0 - 2.5mm<sup>2</sup>
- Stranded wire: 26 - 14AWG / 1.0 - 2.5mm<sup>2</sup>
- Torque: 2.6Lb-In / 0.6Nm

- Wire strip length: 6 - 7mm

- Screw: M3

- Pitch: 5.0mm

### PACKAGING

- Box

Note: Other pin number are available, based on combinations of 2 & 3pins, but they are not kept in stock and are subject to MOQ

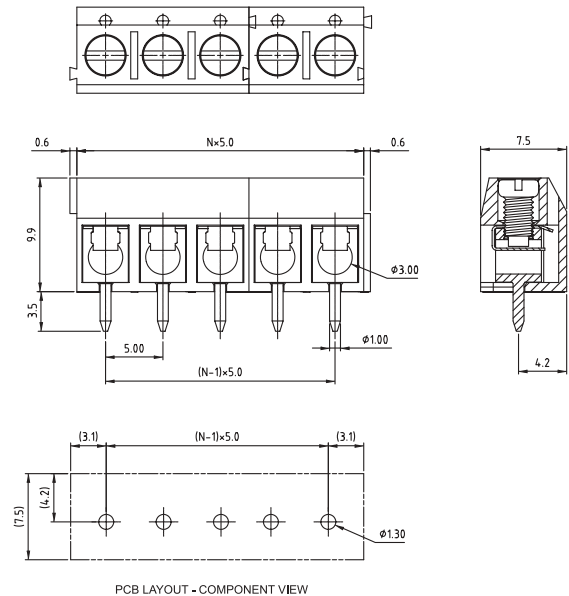
Order Code	Pins	AWG	Approval Certification
691 101 710 002	2	See Mechanical characteristics	
691 101 710 003	3		



## Serie 102 - 5.0mm Horizontal Entry Modular with Pressure Clamp - 1.5mm<sup>2</sup> Wires WR-TBL



Stackable



PCB LAYOUT - COMPONENT VIEW



### MATERIAL

- Insulator material: PA 66
- Flammability rating: UL94-V0
- Colour: Blue
- Metal housing: Brass (CuZn)
- Terminal screw: Steel Zinc plating "–" slot type
- Wire guard: Stainless steel
- Surface of solder tail plating: Tin

### ENVIRONMENTAL

- Operating temperature: –40 °C up to 105 °C
- Compliance: Lead free & RoHS
- Safety approval: See table

### SOLDERING

- Solder temperature: JEDEC lead free wave soldering

### ELECTRICAL

- Current rating: 15A
- Working voltage: 300Vac
- Withstanding voltage: 1.6kV
- Contact resistance: 20 mOhm max

cULus

VDE

15A

17.5A

300Vac

250Vac

1.6kV

2.0kV

20 mOhm max

### MECHANICAL

- Solid wire: 22 - 14AWG / 0.75 - 1.5mm<sup>2</sup>
- Stranded wire: 22 - 14AWG / 0.75 - 1.5mm<sup>2</sup>
- Torque: 2.6Lb-In / 0.4Nm

- Wire strip length: 5 - 6mm

5 - 6mm

- Screw: M2.6

M2.6

- Pitch: 5.0mm

5.0mm

### PACKAGING

- Box

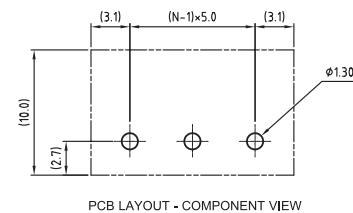
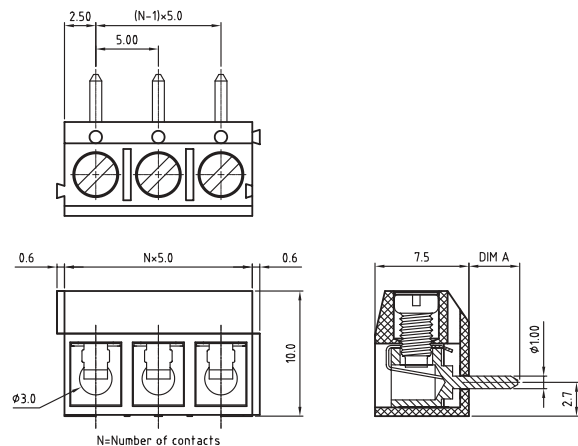
Note: Other pin number are available, based on combinations of 2 & 3pins, but they are not kept in stock and are subject to MOQ

Order Code	Pins	AWG	Approval Certification
691 102 710 002	2	See Mechanical characteristics	
691 102 710 003	3		



NEW

## Serie 1047 - 5.0mm Vertical Entry Modular with Pressure Clamp - 1.5mm<sup>2</sup> Wires WR-TBL



### MATERIAL

- Insulator material: PA 66
- Flammability rating: UL94-V0
- Colour: Blue
- Metal housing: Brass (CuZn)
- Terminal screw: Steel Zinc plating "–" slot type
- Wire guard: Stainless steel
- Surface of solder tail plating: Tin

### ENVIRONMENTAL

- Operating temperature: –40 °C up to 105 °C
- Compliance: Lead free & RoHS
- Safety approval: See table

### SOLDERING

- Solder temperature: JEDEC lead free wave soldering

### ELECTRICAL

- Current rating: 16A
- Working voltage: 250Vac
- Withstanding voltage: 1.5kV
- Contact resistance: 20 mOhm max

### MECHANICAL


- Solid wire: 22 - 14AWG / 0.75 - 1.5mm<sup>2</sup>
- Stranded wire: 22 - 16AWG / 1.31 - 1.5mm<sup>2</sup>
- Torque: 2.6Lb-In / 0.4Nm

- Wire strip length: 5 - 6mm
- Screw: M2.6
- Pitch: 5.0mm

### PACKAGING

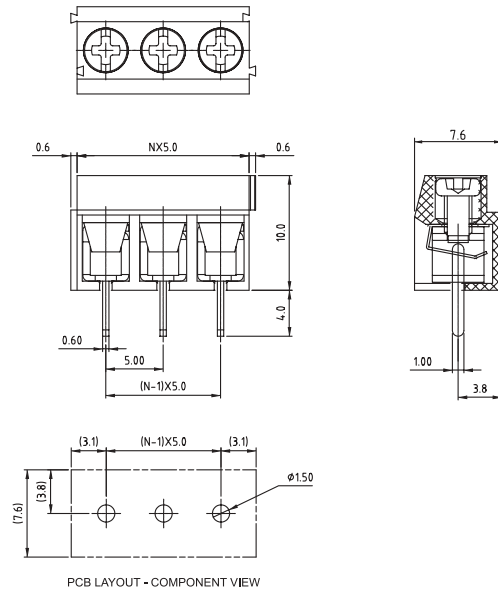
- Box

Note: Other pin number are available, based on combinations of 2 & 3pins, but they are not kept in stock and are subject to MOQ

Order Code	Pins	AWG	Approval Certification
691 104 700 002	2	See Mechanical characteristics	
691 104 700 003	3		



## Serie 111 - 5.0mm Horizontal Entry Modular with Pressure Clamp - 2.0mm<sup>2</sup> Wires WR-TBL



### MATERIAL

- Insulator material: PA 66
- Flammability rating: UL94-V0
- Colour: Green
- Metal housing: Brass (CuZn)
- Terminal screw: Steel Zinc plating "+/-" slot type
- Wire guard: Stainless steel
- Surface of solder tail plating: Tin

### ENVIRONMENTAL

- Operating temperature: -40 °C up to 105 °C
- Compliance: Lead free & RoHS
- Safety approval: See table

### SOLDERING

- Solder temperature: JEDEC lead free wave soldering

### ELECTRICAL

- Current rating: 8A
- Working voltage: 300Vac
- Withstanding voltage: 1.6kV
- Contact resistance: 20 mOhm max

### MECHANICAL

- Solid wire: 26 - 14AWG / 0.13 - 2.0mm<sup>2</sup>
- Stranded wire: 26 - 14AWG / 0.13 - 2.0mm<sup>2</sup>
- Torque: 2.6Lb-In - 0.4Nm

- Wire strip length: 5 - 6mm
- Screw: M2.5
- Pitch: 5.0mm

### PACKAGING

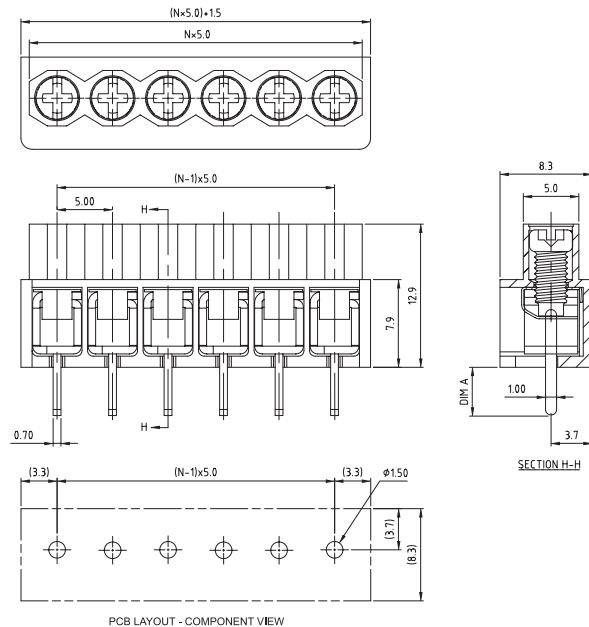
- Box

Note: Other pin number are available, based on combinations of 2 & 3pins, but they are not kept in stock and are subject to MOQ

Order Code	Pins	AWG	Approval Certification
691 111 710 002	2	See Mechanical characteristics	
691 111 710 003	3		



## Serie 121 - 5.0mm Horizontal Entry with Pressure Clamp - 3.3mm<sup>2</sup> Wires WR-TBL



### MATERIAL

- Insulator material: PA 66
- Flammability rating: UL94-V0
- Colour: Green
- Metal housing: Brass (CuZn)
- Terminal screw: Steel Zinc plating "+/-" slot type
- Wire guard: Stainless steel
- Surface of solder tail plating: Tin

### ENVIRONMENTAL

- Operating temperature: -40 °C up to 105 °C
- Compliance: Lead free & RoHS
- Safety approval: See table

### SOLDERING

- Solder temperature: JEDEC lead free wave soldering

### ELECTRICAL

- Current rating: 10A
- Working voltage: 300Vac
- Withstanding voltage: 1.6kV
- Contact resistance: 20 mOhm max

### MECHANICAL

- Solid wire: 20 - 12AWG / 0.5 - 3.3mm<sup>2</sup>
- Stranded wire: 20 - 12AWG / 0.5 - 3.3mm<sup>2</sup>
- Torque: 3.5Lb-In / 0.4Nm

- Wire strip length: 6 - 7mm
- Screw: M3
- Pitch: 5.0mm

### PACKAGING

- Box

Note: Other pin number are available but subject to MOQ and not kept in stock

Order Code	Pins	AWG	Approval Certification
691 121 710 004	4	See Mechanical characteristics	
691 121 710 006	6		

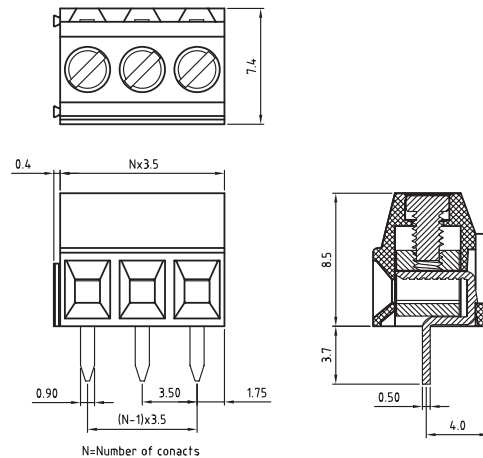


NEW

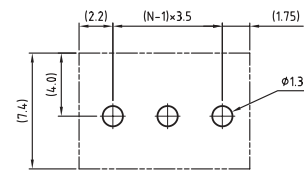
## Serie 2141 - 3.5mm Horizontal Entry Modular with Rising Cage Clamp - 1.5mm<sup>2</sup> Wires WR-TBL



Stackable



N=Number of contacts



PCB LAYOUT - COMPONENT VIEW



### MATERIAL

- Insulator material: PA 66
- Flammability rating: UL94-V0
- Colour: Blue
- Metal housing: Brass (CuZn)
- Terminal screw: Steel Zinc plating "–" slot type
- Contacts: Brass

### ENVIRONMENTAL

- Operating temperature: –40 °C up to 105 °C
- Compliance: Lead free & RoHS
- Safety approval: See table

### SOLDERING

- Solder temperature: JEDEC lead free wave soldering

### ELECTRICAL

- Current rating: 10A
- Working voltage: 300Vac
- Withstanding voltage: 1.6kV
- Contact resistance: 20 mOhm max

### MECHANICAL

- Solid wire: 24 - 16AWG / 0.2 - 1.5mm<sup>2</sup>
- Stranded wire: 24 - 16AWG / 0.2 - 1.5mm<sup>2</sup>
- Torque: 1.7Lb-In / 0.23Nm

- Wire strip length: 5 - 6mm
- Screw: M2.0
- Pitch: 3.5mm

### PACKAGING

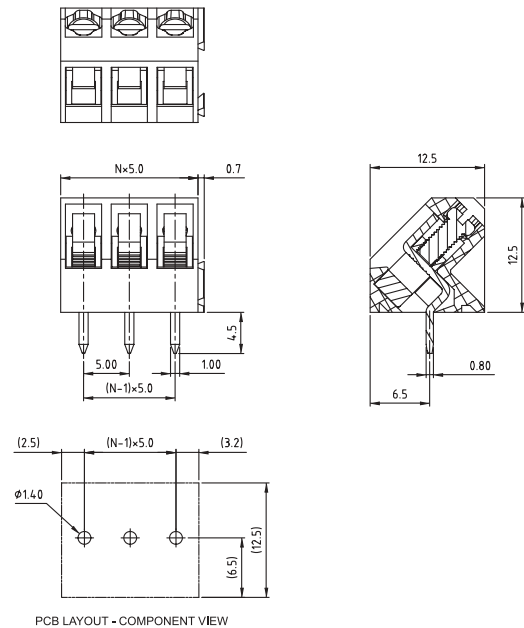
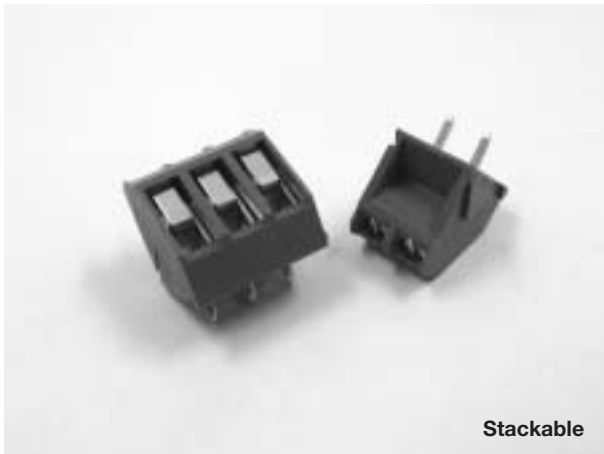
- Box

Note: Other pin number are available, based on combinations of 2 & 3pins, but they are not kept in stock and are subject to MOQ

Order Code	Pins	AWG	Approval Certification
691 214 110 002	2	See Mechanical characteristics	
691 214 110 003	3		



## Serie 201 - 5.0mm 45° Entry Modular with Rising Cage Clamp - 3.5mm<sup>2</sup> Wires WR-TBL



### MATERIAL

- Insulator material: PA 66
- Flammability rating: UL94-V0
- Colour: Blue
- Metal housing: Brass (CuZn)
- Terminal screw: Steel Zinc plating "-" slot type
- Contacts: Brass

### ENVIRONMENTAL

- Operating temperature: -40 °C up to 105 °C
- Compliance: Lead free & RoHS
- Safety approval: See table

### SOLDERING

- Solder temperature: JEDEC lead free wave soldering

### ELECTRICAL

- Current rating: 15A
- Working voltage: 300Vac
- Withstanding voltage: 1.6kV
- Contact resistance: 20 mOhm max

### MECHANICAL

- Solid wire: 24 - 12AWG / 0.2 - 3.5mm<sup>2</sup>
- Stranded wire: 24 - 12AWG / 0.2 - 3.5mm<sup>2</sup>
- Torque: 3.5Lb-In / 0.4Nm

- Wire strip length: 6 - 7mm
- Screw: M2.5
- Pitch: 5.0mm

### PACKAGING

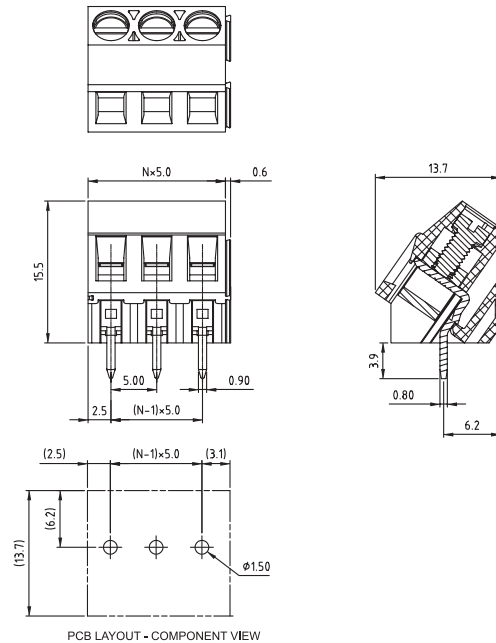
- Box

Note: Other pin number are available, based on combinations of 2 & 3pins, but they are not kept in stock and are subject to MOQ

Order Code	Pins	AWG	Approval Certification
691 201 720 002	2	See Mechanical characteristics	
691 201 720 003	3		



## Serie 211 - 5.0mm 45° Entry Modular with Rising Cage Clamp - 15.5mm Height - 3.5mm<sup>2</sup> Wires WR-TBL



### MATERIAL

- Insulator material: PA 66
- Flammability rating: UL94-V0
- Colour: Green
- Metal housing: Brass (CuZn)
- Terminal screw: Steel Zinc plating "–" slot type
- Contact: Brass
- Surface of solder tail plating: Tin

### ENVIRONMENTAL

- Operating temperature: –40 °C up to 105 °C
- Compliance: Lead free & RoHS
- Safety approval: See table

### SOLDERING

- Solder temperature: JEDEC lead free wave soldering

### ELECTRICAL

- Current rating: 10A
- Working voltage: 300Vac
- Withstanding voltage: 1.6kV
- Contact resistance: 20 mOhm max

### MECHANICAL

- Solid wire: 24 - 12AWG / 0.2 - 3.5mm<sup>2</sup>
- Stranded wire: 24 - 12AWG / 0.2 - 3.5mm<sup>2</sup>
- Torque: 3.5Lb-In / 0.4Nm

- Wire strip length: 6 - 7mm
- Screw: M2.5
- Pitch: 5.0mm

### PACKAGING

- Box

Note: Other pin number are available, based on combinations of 2 & 3pins, but they are not kept in stock and are subject to MOQ

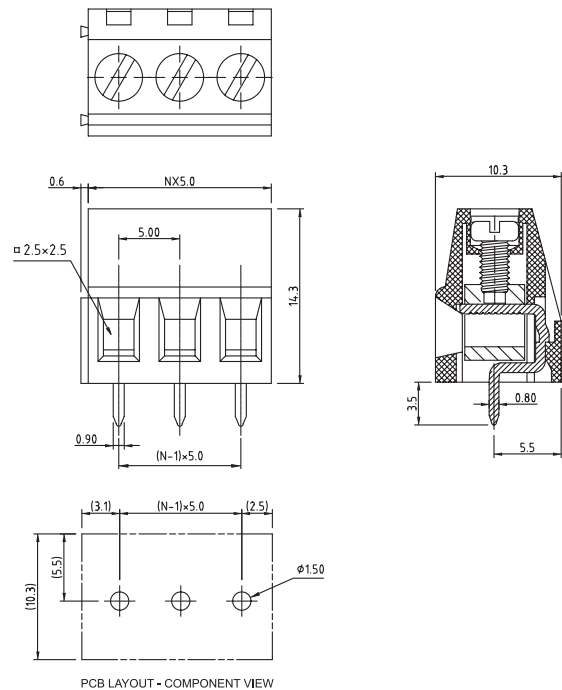
Order Code	Pins	AWG	Approval Certification
691 211 720 002	2	See Mechanical characteristics	
691 211 720 003	3		



## Serie 212 - 5.0mm Horizontal Entry Modular with Rising Cage Clamp - 3.5mm<sup>2</sup> Wires WR-TBL



Stackable



### MATERIAL

- Insulator material: PA 66
- Flammability rating: UL94-V0
- Colour: Green
- Metal housing: Brass (CuZn)
- Terminal screw: Steel Zinc plating "–" slot type
- Contacts: Brass
- Surface of solder tail plating: Tin

### ENVIRONMENTAL

- Operating temperature: –40 °C up to 105 °C
- Compliance: Lead free & RoHS
- Safety approval: See table

### SOLDERING

- Solder temperature: JEDEC lead free wave soldering

### ELECTRICAL

- Current rating: 10A
- Working voltage: 300Vac
- Withstanding voltage: 1.6kV
- Contact resistance: 20 mOhm max

### MECHANICAL

- Solid wire: 22 - 12 AWG / 0.3 - 3.5mm<sup>2</sup>
- Stranded wire: 22 - 12 AWG / 0.3 - 3.5mm<sup>2</sup>
- Torque: 3.5Lb-In / 0.4Nm

- Wire strip length: 6 - 7mm
- Screw: M2.5
- Pitch: 5.0mm

### PACKAGING

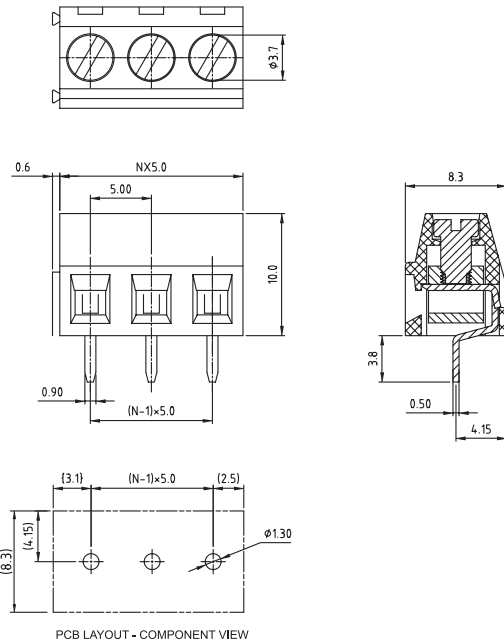
- Box

Note: Other pin number are available, based on combinations of 2 & 3pins, but they are not kept in stock and are subject to MOQ

Order Code	Pins	AWG	Approval Certification
691 212 710 002	2	See Mechanical characteristics	
691 212 710 003	3		



## Serie 213 - 5.0mm Horizontal Entry Modular with Rising Cage Clamp - 1.5mm<sup>2</sup> Wires WR-TBL



### MATERIAL

- Insulator material: PA 66
- Flammability rating: UL94-V0
- Colour: Green
- Metal housing: Brass (CuZn)
- Terminal screw: Steel Zinc plating "–" slot type
- Contacts: Brass
- Surface of solder tail plating: Tin

### ENVIRONMENTAL

- Operating temperature: –40 °C up to 105 °C
- Compliance: Lead free & RoHS
- Safety approval: See table

### SOLDERING

- Solder temperature: JEDEC lead free wave soldering

### ELECTRICAL

- Current rating: 10A
- Working voltage: 300Vac
- Withstanding voltage: 1.6kV
- Contact resistance: 20 mOhm max

### MECHANICAL

- Solid wire: 26 - 16AWG / 0.13 - 1.5mm<sup>2</sup>
- Stranded wire: 26 - 16AWG / 0.13 - 1.5mm<sup>2</sup>
- Torque: 3.5Lb-In / 0.4Nm

- Wire strip length: 5 - 6mm
- Screw: M2.5
- Pitch: 5.0mm

### PACKAGING

- Box

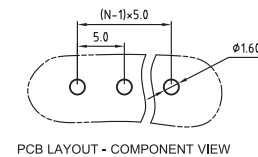
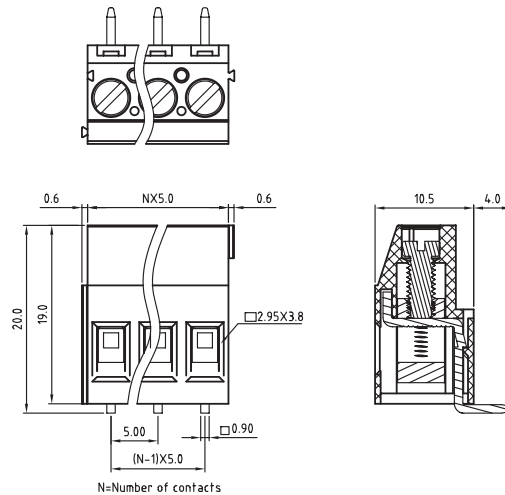
Note: Other pin number are available, based on combinations of 2 & 3pins, but they are not kept in stock and are subject to MOQ

Order Code	Pins	AWG	Approval Certification
691 213 710 002	2	See Mechanical characteristics	
691 213 710 003	3		



NEW

## Serie 2157 - 5.0mm Vertical Entry Modular with Rising Cage Clamp - 3.5mm<sup>2</sup> Wires WR-TBL



### MATERIAL

- Insulator material: PA 66
- Flammability rating: UL94-V0
- Colour: Green
- Metal housing: Brass (CuZn)
- Terminal screw: Steel Zinc plating "–" slot type
- Contacts: Brass
- Surface of solder tail plating: Tin

### ENVIRONMENTAL

- Operating temperature: –40 °C up to 105 °C
- Compliance: Lead free & RoHS
- Safety approval: See table

### SOLDERING

- Solder temperature: JEDEC lead free wave soldering

### ELECTRICAL

- Current rating: 20A
- Working voltage: 300Vac
- Withstanding voltage: 1.6kV
- Contact resistance: 20 mOhm max

### MECHANICAL


- Solid wire: 30 - 12AWG / 0.05 - 3.5mm<sup>2</sup>
- Stranded wire: 30 - 12AWG / 0.05 - 3.5mm<sup>2</sup>
- Torque: 3.5Lb-In / 0.4Nm

- Wire strip length: 6 - 7mm
- Screw: M3.0
- Pitch: 5.0mm

### PACKAGING

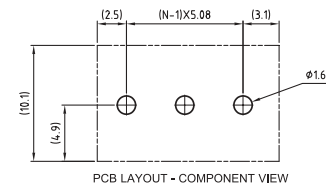
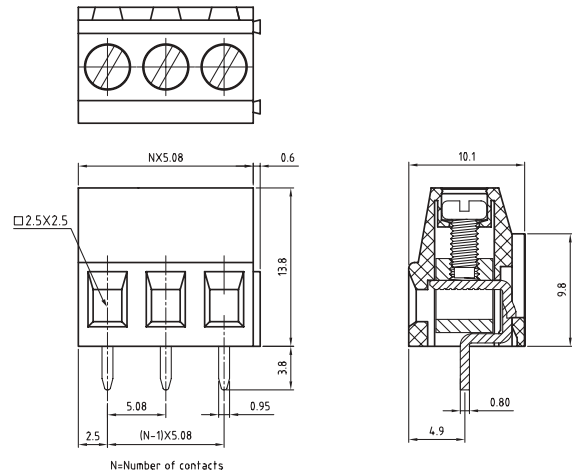
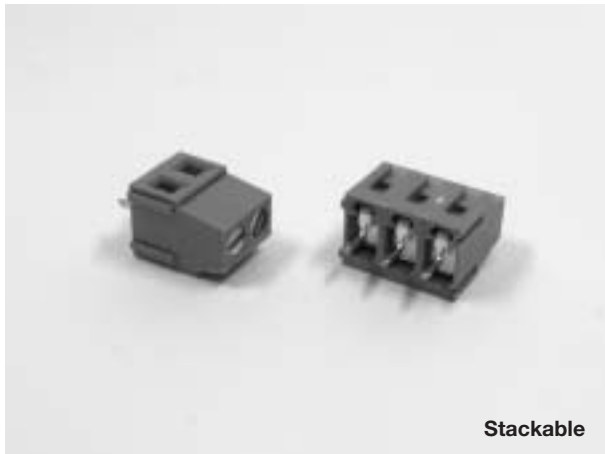
- Box

Note: Other pin number are available, based on combinations of 2 & 3pins, but they are not kept in stock and are subject to MOQ

Order Code	Pins	AWG	Approval Certification
691 215 700 002	2	See Mechanical characteristics	
691 215 700 003	3		

NEW

## Serie 2165 - 5.08mm Horizontal Entry Modular with Rising Cage Clamp - 3.5mm<sup>2</sup> Wires WR-TBL



### MATERIAL

- Insulator material: To define
- Flammability rating: UL94-V0
- Colour: Green
- Metal housing: Brass (CuZn)
- Terminal screw: Steel Zinc plating "-" slot type
- Contacts: Brass
- Surface of solder tail plating: Tin

### ENVIRONMENTAL

- Operating temperature: -40 °C up to 105 °C
- Compliance: Lead free & RoHS
- Safety approval: See table

### SOLDERING

- Solder temperature: JEDEC lead free wave soldering

### ELECTRICAL

- Current rating: 10A
- Working voltage: 300Vac
- Withstanding voltage: 1.6kV
- Contact resistance: 20 mOhm max

### MECHANICAL


- Solid wire: 24 - 12AWG / 0.20 - 3.5mm<sup>2</sup>
- Stranded wire: 24 - 12AWG / 0.20 - 3.5mm<sup>2</sup>
- Torque: 3.5Lb-In / 0.4Nm

- Wire strip length: 6 - 7mm
- Screw: M2.5
- Pitch: 5.08mm

### PACKAGING

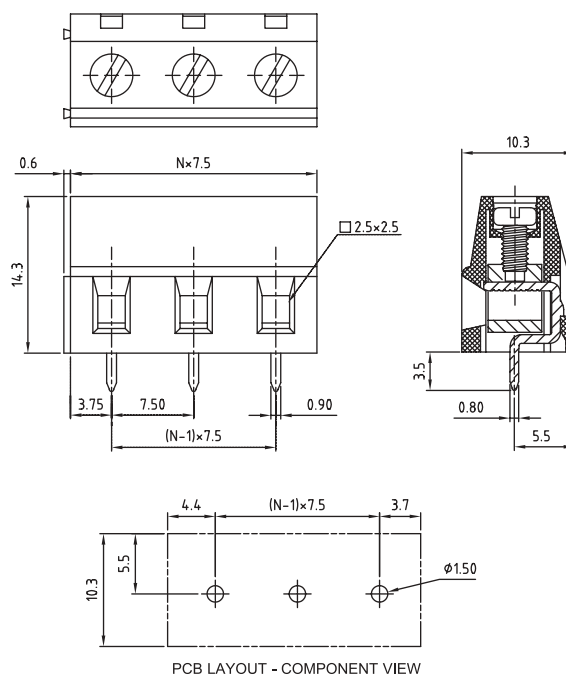
- Box

Note: Other pin number are available, based on combinations of 2 & 3pins, but they are not kept in stock and are subject to MOQ

Order Code	Pins	AWG	Approval Certification
691 216 510 002	2	See Mechanical characteristics	
691 216 510 003	3		

NEW

## Serie 2179 - 7.50mm Horizontal Entry Modular with Rising Cage Clamp - 4.0mm<sup>2</sup> Wires WR-TBL



### MATERIAL

- Insulator material: PA 66
- Flammability rating: UL94-V0
- Colour: Green
- Metal housing: Brass (CuZn)
- Terminal screw: Steel Zinc plating "–" slot type
- Contacts: Brass
- Surface of solder tail plating: Tin

### ENVIRONMENTAL

- Operating temperature: –40 °C up to 105 °C
- Compliance: Lead free & RoHS
- Safety approval: See table

### SOLDERING

- Solder temperature: JEDEC lead free wave soldering

### ELECTRICAL

- Current rating: UL 10A VDE 10A
- Working voltage: 300Vac 450Vac
- Withstanding voltage: 1.6kV 2.5kV
- Contact resistance: 20 mOhm max

### MECHANICAL


- Solid wire: 22 - 12AWG / 0.34 - 4.0mm<sup>2</sup>
- Stranded wire: 22 - 12AWG / 0.34 - 4.0mm<sup>2</sup>
- Torque: 3.5Lb-In / 0.4Nm

- Wire strip length: 6 - 7mm
- Screw: M2.5
- Pitch: 7.50mm

### PACKAGING

- Box

Note: Other pin number are available, based on combinations of 2 & 3pins, but they are not kept in stock and are subject to MOQ

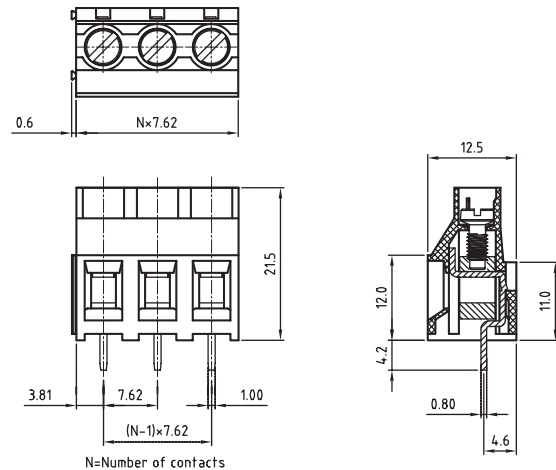
Order Code	Pins	AWG	Approval Certification
691 217 910 002	2	See Mechanical characteristics	
691 217 910 003	3		

NEW

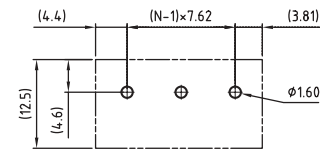
## Serie 2184 - 7.62mm Horizontal Entry Modular with Rising Cage Clamp - 5.3mm<sup>2</sup> Wires WR-TBL



Stackable



N=Number of contacts



PCB LAYOUT - COMPONENT VIEW



## MATERIAL

- Insulator material: PA 66
- Flammability rating: UL94-V0
- Colour: Green
- Metal housing: Brass (CuZn)
- Terminal screw: Steel Zinc plating "–" slot type
- Contacts: Brass
- Surface of solder tail plating: Tin

## ENVIRONMENTAL

- Operating temperature: –40 °C up to 105 °C
- Compliance: Lead free & RoHS
- Safety approval: See table

## SOLDERING

- Solder temperature: JEDEC lead free wave soldering

## ELECTRICAL

- Current rating: 30A
- Working voltage: 300Vac
- Withstanding voltage: 1.6kV
- Contact resistance: 20 mOhm max

## MECHANICAL


- Solid wire: 24 - 10AWG / 0.20 - 5.3mm<sup>2</sup>
- Stranded wire: 24 - 10AWG / 0.20 - 5.3mm<sup>2</sup>
- Torque: 8.9Lb-In / 1.0Nm

- Wire strip length: 6 - 7mm
- Screw: M3.5
- Pitch: 7.62mm

## PACKAGING

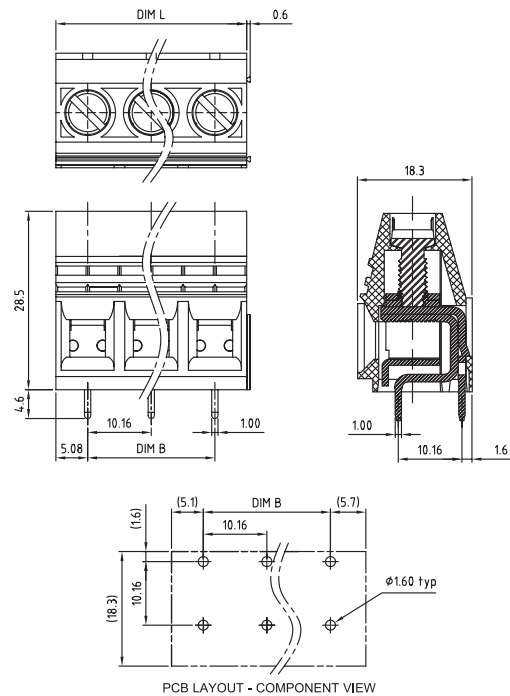
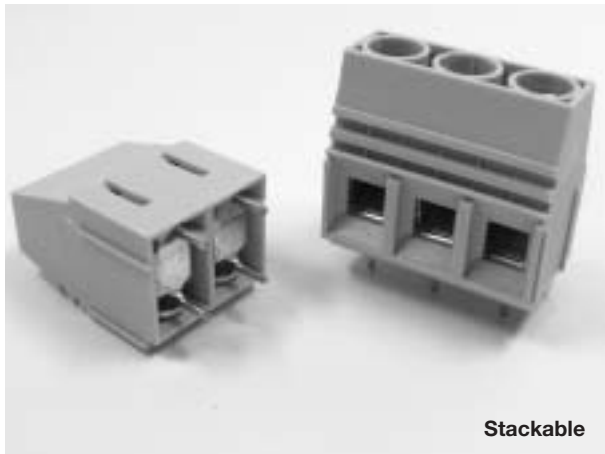
- Box

Note: Other pin number are available, based on combinations of 2 & 3pins, but they are not kept in stock and are subject to MOQ

Order Code	Pins	AWG	Approval Certification
691 218 410 002	2	See Mechanical characteristics	
691 218 410 003	3		

NEW

## Serie 2196 - 10.16mm Horizontal Entry Modular with Rising Cage Clamp - 8.5mm<sup>2</sup> Wires WR-TBL



### MATERIAL

- Insulator material: PA 66
- Flammability rating: UL94-V0
- Colour: Grey
- Metal housing: Brass (CuZn)
- Terminal screw: Steel Zinc plating "–" slot type
- Contacts: Brass
- Surface of solder tail plating: Tin

### ENVIRONMENTAL

- Operating temperature: –40 °C up to 105 °C
- Compliance: Lead free & RoHS
- Safety approval: See table

### SOLDERING

- Solder temperature: JEDEC lead free wave soldering

### ELECTRICAL

- Current rating: 57A
- Working voltage: 300Vac
- Withstanding voltage: 1.6kV
- Contact resistance: 20 mOhm max

### MECHANICAL


- Solid wire: 22 - 8AWG / 0.30 - 8.5mm<sup>2</sup>
- Stranded wire: 22 - 8AWG / 0.30 - 8.5mm<sup>2</sup>
- Torque: 19Lb-In / 2.15Nm

- Wire strip length: 10 - 11mm
- Screw: M4.5
- Pitch: 10.16mm

### PACKAGING

- Box

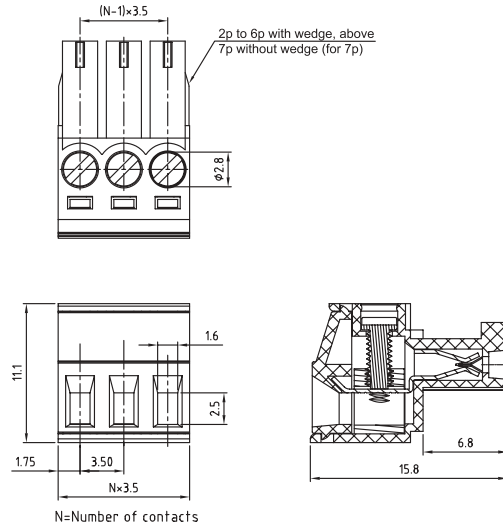
Note: Other pin number are available, based on combinations of 2 & 3pins, but they are not kept in stock and are subject to MOQ

Order Code	Pins	AWG	Approval Certification
691 219 610 002	2	See Mechanical characteristics	
691 219 610 003	3		



**NEW**

# Serie 3611 - 3.50mm Vertical Cable Entry Plug - 1.5mm<sup>2</sup> Wires WR-TBL



**MATERIAL**

- Insulator material: PA 66
- Flammability rating: UL94-V0
- Colour: Green
- Metal housing: Brass (CuZn)
- Terminal screw: Steel Zinc plating “-” slot type
- Wire guard: PhBz, Tin plated

**ENVIRONMENTAL**

- Operating temperature: -40 °C up to 105 °C
- Compliance: Lead free & RoHS
- Safety approval: See table

**ELECTRICAL**

- Current rating: cULus 10A, VDE 10.5A
- Working voltage: 300Vac, 300Vac
- Withstanding voltage: 1.6kV, 2.5kV
- Contact resistance: 20 mOhm max

**MECHANICAL**

- Solid wire: 26 - 16AWG / 0.13 - 1.5mm<sup>2</sup>
- Stranded wire: 26 - 16AWG / 0.13 - 1.5mm<sup>2</sup>
- Torque: 3Lb-In / 0.2Nm
- Wire strip length: 6 - 7mm
- Screw: M2
- Pitch: 3.50mm

**PACKAGING**

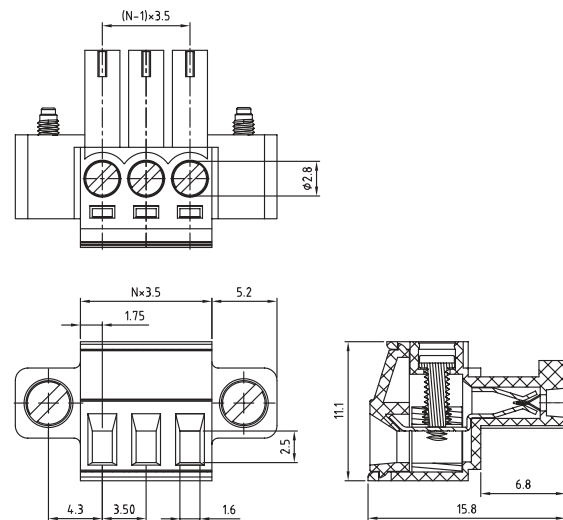
- Box

Note: Other pin number, 07 and 09 to 24, can be delivered but they are not kept in stock and are subject to MOQ

Order Code	Pins	AWG	Approval Certification
691 361 100 002	2	See Mechanical characteristics	
691 361 100 003	3		
691 361 100 004	4		
691 361 100 005	5		
691 361 100 006	6		
691 361 100 008	8		

NEW

## Serie 3641 - 3.50mm Vertical Cable Entry Plug with Flanges - 1.5mm<sup>2</sup> Wires WR-TBL



N=Number of contacts



### MATERIAL

- Insulator material: PA 66
- Flammability rating: UL94-V0
- Colour: Green
- Metal housing: Brass (CuZn)
- Terminal screw: Steel Zinc plating "L" slot type
- Wire guard: PhBz, Tin plated
- Flange screw: Steel M2.5

### ENVIRONMENTAL

- Operating temperature: -40 °C up to 105 °C
- Compliance: Lead free & RoHS
- Safety approval: See table

### ELECTRICAL

- Current rating: 10A
- Working voltage: 300Vac
- Withstanding voltage: 1.6kV
- Contact resistance: 20 mOhm max

### MECHANICAL



- Solid wire: 26 - 16AWG / 0.13 - 1.5mm<sup>2</sup>
- Stranded wire: 26 - 16AWG / 0.13 - 1.5mm<sup>2</sup>
- Torque: 3Lb-In / 0.2Nm

- Wire strip length: 6 - 7mm
- Screw: M2
- Pitch: 3.50mm

### PACKAGING

- Box

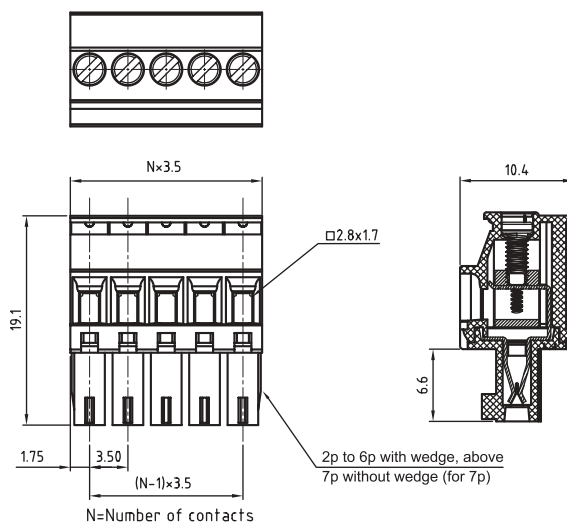
Note: Other pin number, 07 and 09 to 24, can be delivered but they are not kept in stock and are subject to MOQ

Order Code	Pins	AWG	Approval Certification
691 364 100 002	2	See Mechanical characteristics	 
691 364 100 003	3		
691 364 100 004	4		
691 364 100 005	5		
691 364 100 006	6		
691 364 100 008	8		



**NEW**

# Serie 3631 - 3.50mm Horizontal Cable Entry Plug with Hook on Wire Side - 1.5mm<sup>2</sup> Wires WR-TBL



**MATERIAL**

- Insulator material: PA 66
- Flammability rating: UL94-V0
- Colour: Green
- Metal housing: Brass (CuZn)
- Terminal screw: Steel Zinc plating "-" slot type
- Wire guard: PhBz, Tin plated

**ENVIRONMENTAL**

- Operating temperature: -40 °C up to 105 °C
- Compliance: Lead free & RoHS
- Safety approval: See table

**ELECTRICAL**

- Current rating: 8A
- Working voltage: 300Vac
- Withstanding voltage: 1.6kV
- Contact resistance: 20 mOhm max

**MECHANICAL**

- Solid wire: 28 - 16AWG / 0.08 - 1.5mm<sup>2</sup>
- Stranded wire: 28 - 16AWG / 0.08 - 1.5mm<sup>2</sup>
- Torque: 1.7Lb-In / 0.2Nm

- Wire strip length: 6 - 7mm
- Screw: M2
- Pitch: 3.50mm

**PACKAGING**

- Box

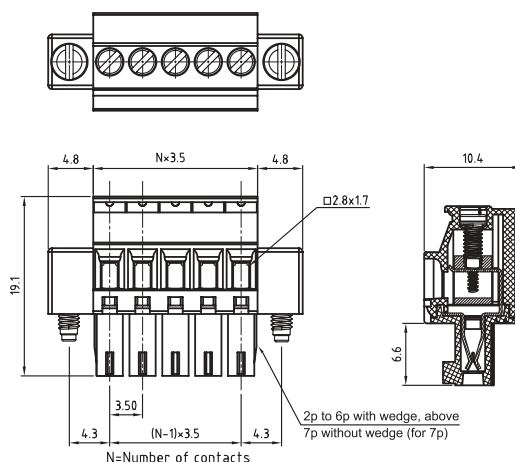
Note: Other pin number, 07 and 09 to 24, can be delivered but they are not kept in stock and are subject to MOQ

Order Code	Pins	AWG	Approval Certification
691 363 110 002	2	See Mechanical characteristics	
691 363 110 003	3		
691 363 110 004	4		
691 363 110 005	5		
691 363 110 006	6		
691 363 110 008	8		



NEW

## Serie 3651 - 3.50mm Horizontal Cable Entry Plug with Hook on Wire Side - 1.5mm<sup>2</sup> Wires WR-TBL



### MATERIAL

- Insulator material: PA 66
- Flammability rating: UL94-V0
- Colour: Green
- Metal housing: Brass (CuZn)
- Terminal screw: Steel Zinc plating "–" slot type
- Wire guard: PhBz, Tin plated
- Flange screw: Steel M2.5

### ENVIRONMENTAL

- Operating temperature: –40 °C up to 105 °C
- Compliance: Lead free & RoHS
- Safety approval: See table

### ELECTRICAL

- Current rating: 8A
- Working voltage: 300Vac
- Withstanding voltage: 1.6kV
- Contact resistance: 20 mOhm max

### MECHANICAL


- Solid wire: 26 - 16AWG / 0.13 - 1.5mm<sup>2</sup>
- Stranded wire: 26 - 16AWG / 0.13 - 1.5mm<sup>2</sup>
- Torque: 1.7Lb-In / 0.2Nm

- Wire strip length: 6 - 7mm
- Screw: M2
- Pitch: 3.50mm

### PACKAGING

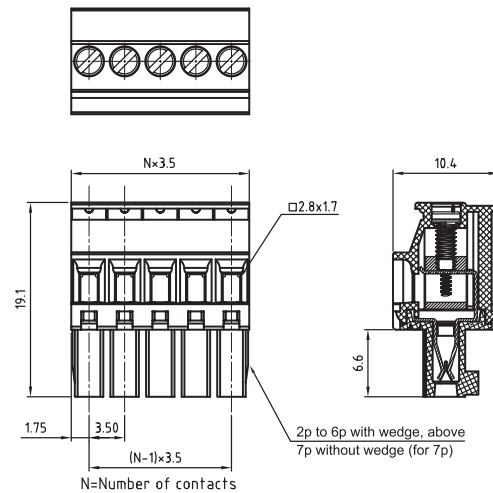
- Box

Note: Other pin number, 07 and 09 to 24, can be delivered but they are not kept in stock and are subject to MOQ

Order Code	Pins	AWG	Approval Certification
691 365 110 002	2	See Mechanical characteristics	
691 365 110 003	3		
691 365 110 004	4		
691 365 110 005	5		
691 365 110 006	6		
691 365 110 008	8		

NEW

## Serie 3661 - 3.50mm Horizontal Cable Entry Plug with Hook on Back Side - 1.5mm<sup>2</sup> Wires WR-TBL



### MATERIAL

- Insulator material: PA 66
- Flammability rating: UL94-V0
- Colour: Green
- Metal housing: Brass (CuZn)
- Terminal screw: Steel Zinc plating "-" slot type
- Wire guard: PhBz, Tin plated

### ENVIRONMENTAL

- Operating temperature:  $-40\text{ °C}$  up to  $105\text{ °C}$
- Compliance: Lead free & RoHS
- Safety approval: See table

### ELECTRICAL

- Current rating: 8A
- Working voltage: 300Vac
- Withstanding voltage: 1.6kV
- Contact resistance: 20 mOhm max

### MECHANICAL



- Solid wire: 28 - 16AWG / 0.08 - 1.5mm<sup>2</sup>
- Stranded wire: 28 - 16AWG / 0.08 - 1.5mm<sup>2</sup>
- Torque: 1.7Lb-In / 0.2Nm

- Wire strip length: 6 - 7mm
- Screw: M2
- Pitch: 3.50mm

### PACKAGING

- Box

Note: Other pin number, 07 and 09 to 24, can be delivered but they are not kept in stock and are subject to MOQ

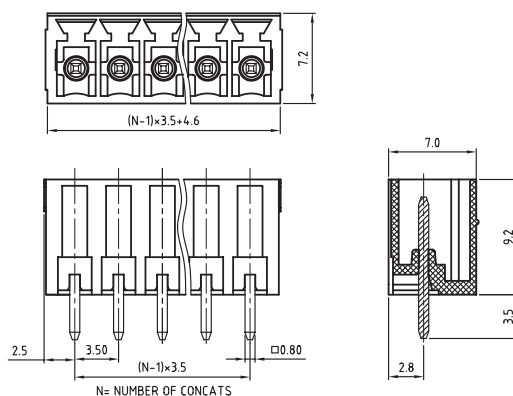
Order Code	Pins	AWG	Approval Certification
691 366 110 002	2	See Mechanical characteristics	 
691 366 110 003	3		
691 366 110 004	4		
691 366 110 005	5		
691 366 110 006	6		
691 366 110 008	8		





**NEW**

# Serie 3211 - 3.50mm Vertical PCB Header WR-TBL



**MATERIAL**

- Insulator material: PA 66
- Flammability rating: UL94-V0
- Colour: Green
- Contact PIN: Brass (CuZn)
- Surface of solder tail plating: Tin

**ENVIRONMENTAL**

- Operating temperature: -40 °C up to 105 °C
- Compliance: Lead free & RoHS
- Safety approval: See table

**SOLDERING**

- Solder temperature: JEDEC lead free wave soldering

**ELECTRICAL**

- |                         |             |        |
|-------------------------|-------------|--------|
|                         | cULus       | VDE    |
| • Current rating:       | 10A         | 10.5A  |
| • Working voltage:      | 300Vac      | 300Vac |
| • Withstanding voltage: | 1.6kV       | 2.5kV  |
| • Contact resistance:   | 20 mOhm max |        |

**MECHANICAL**

- Pitch: 3.50mm

**PACKAGING**

- Box

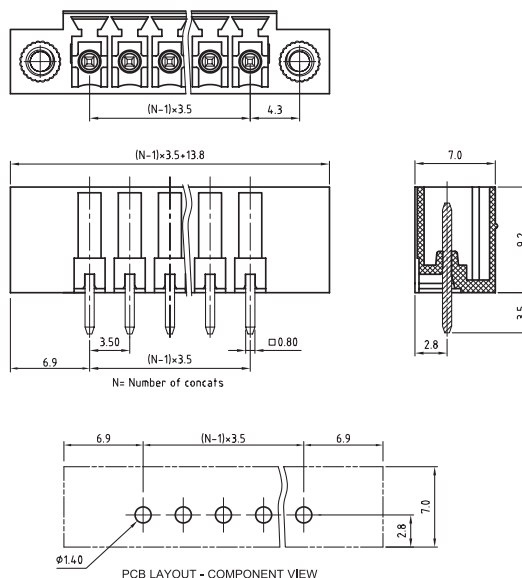
Note: Other pin number, 07 and 09 to 24, can be delivered but they are not kept in stock and are subject to MOQ

Order Code	Pins	AWG	Approval Certification
691 321 100 002	2	See Mechanical characteristics	
691 321 100 003	3		
691 321 100 004	4		
691 321 100 005	5		
691 321 100 006	6		
691 321 100 008	8		



**NEW**

# Serie 3231 - 3.50mm Vertical PCB Header with Flanges WR-TBL



**MATERIAL**

- Insulator material: PA 66
- Flammability rating: UL94-V0
- Colour: Green
- Contact PIN: Brass (CuZn)
- Surface of solder tail plating: Tin
- Flange screw nut: Brass M2.5

**ENVIRONMENTAL**

- Operating temperature: -40 °C up to 105 °C
- Compliance: Lead free & RoHS
- Safety approval: See table

**SOLDERING**

- Solder temperature: JEDEC lead free wave soldering

**ELECTRICAL**

- Current rating: cULus 10A
- Working voltage: VDE 10.5A 300Vac
- Withstanding voltage: 1.6kV 2.5kV
- Contact resistance: 20 mOhm max

**MECHANICAL**

- Pitch: 3.50mm

**PACKAGING**

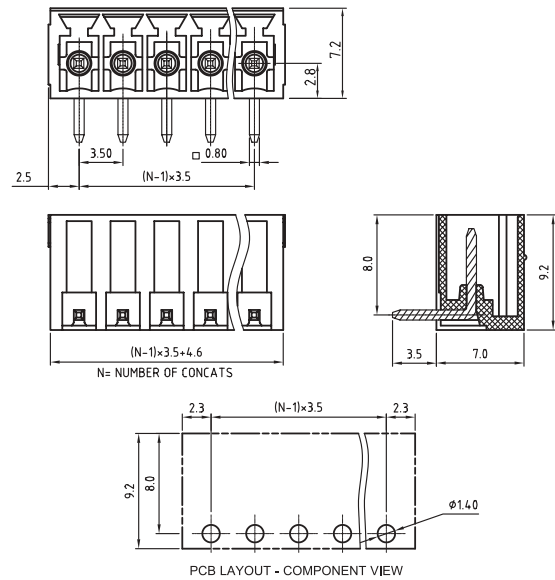
- Box

Note: Other pin number, 07 and 09 to 24, can be delivered but they are not kept in stock and are subject to MOQ

Order Code	Pins	AWG	Approval Certification
691 323 100 002	2	See Mechanical characteristics	
691 323 100 003	3		
691 323 100 004	4		
691 323 100 005	5		
691 323 100 006	6		
691 323 100 008	8		

NEW

## Serie 3221 - 3.50mm Horizontal PCB Header WR-TBL



### MATERIAL

- Insulator material: PA 66
- Flammability rating: UL94-V0
- Colour: Green
- Contact PIN: Brass (CuZn)
- Surface of solder tail plating: Tin

### ENVIRONMENTAL

- Operating temperature:  $-40\text{ °C}$  up to  $105\text{ °C}$
- Compliance: Lead free & RoHS
- Safety approval: See table

### SOLDERING

- Solder temperature: JEDEC lead free wave soldering

### ELECTRICAL

- Current rating: 10A
- Working voltage: 300Vac
- Withstanding voltage: 1.6kV
- Contact resistance: 20 mOhm max



### MECHANICAL

- Pitch: 3.50mm

### PACKAGING

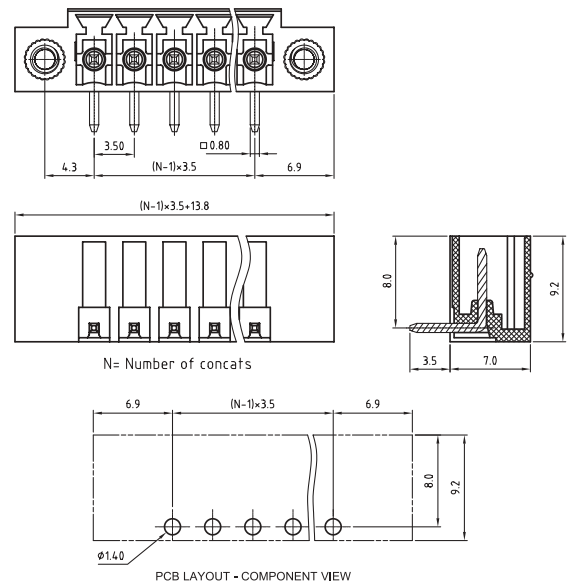
- Box

Note: Other pin number, 07 and 09 to 24, can be delivered but they are not kept in stock and are subject to MOQ

Order Code	Pins	AWG	Approval Certification
691 322 110 002	2	See Mechanical characteristics	 
691 322 110 003	3		
691 322 110 004	4		
691 322 110 005	5		
691 322 110 006	6		
691 322 110 008	8		

NEW

## Serie 3251 - 3.50mm Horizontal PCB Header with Flanges WR-TBL



### MATERIAL

- Insulator material: PA 66
- Flammability rating: UL94-V0
- Colour: Green
- Contact PIN: Brass (CuZn)
- Surface of solder tail plating: Tin
- Flange screw nut: Brass M2.5

### ENVIRONMENTAL

- Operating temperature: -40 °C up to 105 °C
- Compliance: Lead free & RoHS
- Safety approval: See table

### SOLDERING

- Solder temperature: JEDEC lead free wave soldering

### ELECTRICAL

- |                         |             |        |
|-------------------------|-------------|--------|
|                         | cULus       | VDE    |
| • Current rating:       | 10A         | 10.5A  |
| • Working voltage:      | 300Vac      | 300Vac |
| • Withstanding voltage: | 1.6kV       | 2.5kV  |
| • Contact resistance:   | 20 mOhm max |        |


### MECHANICAL

- Pitch: 3.50mm

### PACKAGING

- Box

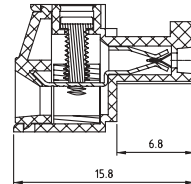
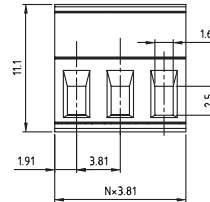
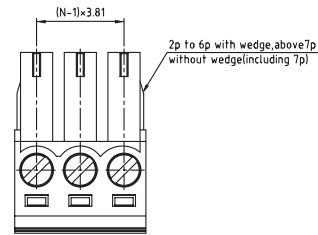
Note: Other pin number, 07 and 09 to 24, can be delivered but they are not kept in stock and are subject to MOQ

Order Code	Pins	AWG	Approval Certification
691 325 110 002	2	See Mechanical characteristics	
691 325 110 003	3		
691 325 110 004	4		
691 325 110 005	5		
691 325 110 006	6		
691 325 110 008	8		



EXTENDED  
RANGE

## Serie 361 - 3.81mm Vertical Cable Entry Plug - 1.5mm<sup>2</sup> Wires WR-TBL



### MATERIAL

- Insulator material: PA 66
- Flammability rating: UL94-V0
- Colour: Green
- Metal housing: Brass (CuZn)
- Terminal screw: Steel Zinc plating "-" slot type
- Wire guard: PhBz Tin plated

### ENVIRONMENTAL

- Operating temperature: -40 °C up to 105 °C
- Compliance: Lead free & RoHS
- Safety approval: See table

### ELECTRICAL

- Current rating: 10A
- Working voltage: 300Vac
- Withstanding voltage: 1.6kV
- Contact resistance: 20 mOhm max

### MECHANICAL

- Solid wire: 26 - 16AWG / 0.13 - 1.5mm<sup>2</sup>
- Stranded wire: 26 - 16AWG / 0.13 - 1.5mm<sup>2</sup>
- Torque: 3.0Lb-In / 0.2Nm

- Wire strip length: 6 - 7mm
- Screw: M2
- Pitch: 3.81mm

### PACKAGING

- Box

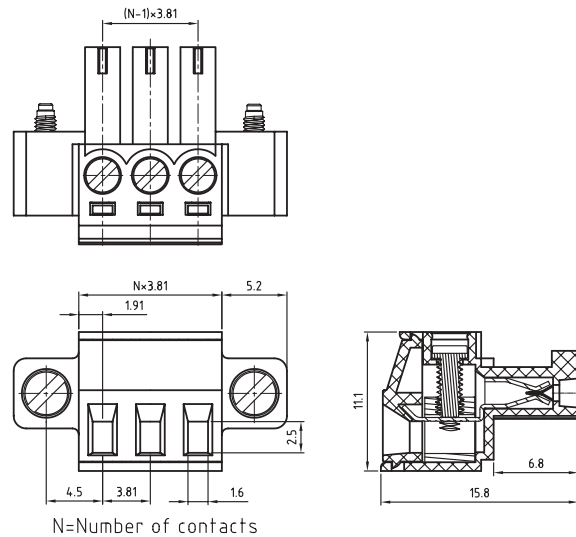
0 xx = 02 to 24pin

Order Code	Pins	AWG	Approval Certification
691 361 300 0 xx	2 to 24	See Mechanical characteristics	



NEW

## Serie 3643 - 3.81mm Vertical Cable Entry Plug with Flanges Screw - 1.5mm<sup>2</sup> Wires WR-TBL



### MATERIAL

- Insulator material: PA 66
- Flammability rating: UL94-V0
- Colour: Green
- Metal housing: Brass (CuZn)
- Terminal screw: Steel Zinc plating "L" slot type
- Wire guard: PhBz, Tin plated
- Flange screw: Steel M2.5

### ENVIRONMENTAL

- Operating temperature: -40 °C up to 105 °C
- Compliance: Lead free & RoHS
- Safety approval: See table

### ELECTRICAL

- Current rating: 10A
- Working voltage: 300Vac
- Withstanding voltage: 1.6kV
- Contact resistance: 20 mOhm max

### MECHANICAL


- Solid wire: 26 - 16AWG / 0.13 - 1.5mm<sup>2</sup>
- Stranded wire: 26 - 16AWG / 0.13 - 1.5mm<sup>2</sup>
- Torque: 3Lb-In / 0.2Nm

- Wire strip length: 6 - 7mm
- Screw: M2
- Pitch: 3.81mm

### PACKAGING

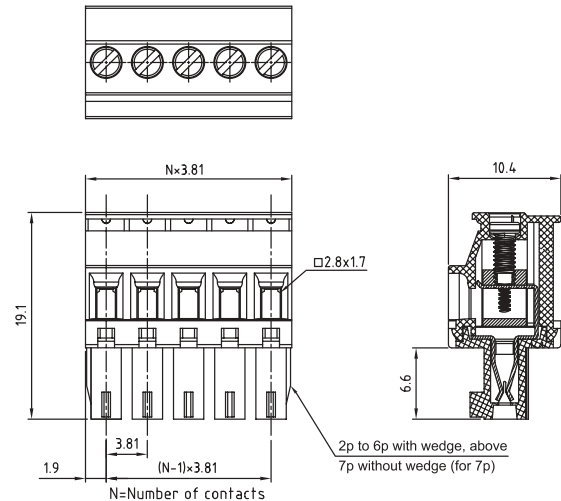
- Box

Note: Other pin number, 07 and 09 to 24, can be delivered but they are not kept in stock and are subject to MOQ

Order Code	Pins	AWG	Approval Certification
691 364 300 002	2	See Mechanical characteristics	
691 364 300 003	3		
691 364 300 004	4		
691 364 300 005	5		
691 364 300 006	6		
691 364 300 008	8		

NEW

## Serie 3633 - 3.81mm Horizontal Cable Entry Plug with Hook on Wire Side - 1.5mm<sup>2</sup> Wires WR-TBL



### MATERIAL

- Insulator material: PA 66
- Flammability rating: UL94-V0
- Colour: Green
- Metal housing: Brass (CuZn)
- Terminal screw: Steel Zinc plating “-” slot type
- Wire guard: PhBz, Tin plated

### ENVIRONMENTAL

- Operating temperature: -40 °C up to 105 °C
- Compliance: Lead free & RoHS
- Safety approval: See table

### ELECTRICAL

- Current rating: 8A
- Working voltage: 300Vac
- Withstanding voltage: 1.6kV
- Contact resistance: 20 mOhm max

### MECHANICAL


- Solid wire: 28 - 16AWG / 0.08 - 1.5mm<sup>2</sup>
- Stranded wire: 28 - 16AWG / 0.08 - 1.5mm<sup>2</sup>
- Torque: 1.7Lb-In / 0.2Nm

- Wire strip length: 6 - 7mm
- Screw: M2
- Pitch: 3.81mm

### PACKAGING

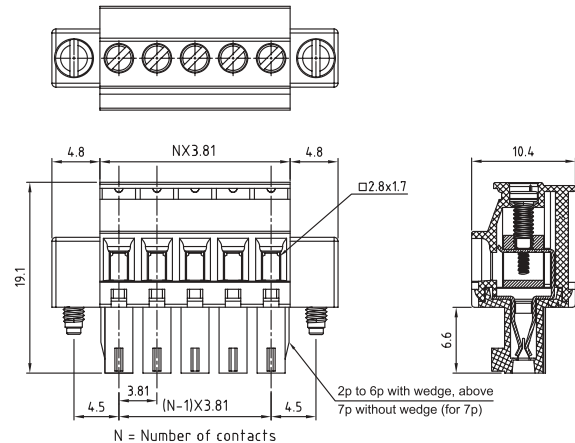
- Box

Note: Other pin number, 07 and 09 to 24, can be delivered but they are not kept in stock and are subject to MOQ

Order Code	Pins	AWG	Approval Certification
691 363 310 002	2	See Mechanical characteristics	
691 363 310 003	3		
691 363 310 004	4		
691 363 310 005	5		
691 363 310 006	6		
691 363 310 008	8		

NEW

## Serie 3653 - 3.81mm Horizontal Cable Entry Plug with Flanges & Hook on Wire Side - 1.5mm<sup>2</sup> Wires WR-TBL



### MATERIAL

- Insulator material: PA 66
- Flammability rating: UL94-V0
- Colour: Green
- Metal housing: Brass (CuZn)
- Terminal screw: Steel Zinc plating "–" slot type
- Wire guard: PhBz, Tin plated
- Flange screw: Steel M2.5

### ENVIRONMENTAL

- Operating temperature: –40 °C up to 105 °C
- Compliance: Lead free & RoHS
- Safety approval: See table

### ELECTRICAL

- Current rating: 8A
- Working voltage: 300Vac
- Withstanding voltage: 1.6kV
- Contact resistance: 20 mOhm max

### MECHANICAL


- Solid wire: 28 - 16AWG / 0.08 - 1.5mm<sup>2</sup>
- Stranded wire: 28 - 16AWG / 0.08 - 1.5mm<sup>2</sup>
- Torque: 1.7Lb-In / 0.2Nm

- Wire strip length: 6 - 7mm
- Screw: M2
- Pitch: 3.81mm

### PACKAGING

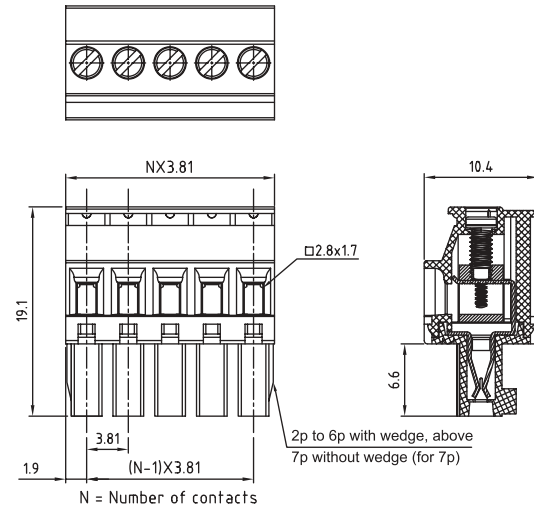
- Box

Note: Other pin number, 07 and 09 to 24, can be delivered but they are not kept in stock and are subject to MOQ

Order Code	Pins	AWG	Approval Certification
691 365 310 002	2	See Mechanical characteristics	
691 365 310 003	3		
691 365 310 004	4		
691 365 310 005	5		
691 365 310 006	6		
691 365 310 008	8		

NEW

## Serie 3663 - 3.81mm Horizontal Cable Entry Plug with Hook on Back Side - 1.5mm<sup>2</sup> Wires WR-TBL



### MATERIAL

- Insulator material: PA 66
- Flammability rating: UL94-V0
- Colour: Green
- Metal housing: Brass (CuZn)
- Terminal screw: Steel Zinc plating "-" slot type
- Wire guard: PhBz, Tin plated

### ENVIRONMENTAL

- Operating temperature: -40 °C up to 105 °C
- Compliance: Lead free & RoHS
- Safety approval: See table

### ELECTRICAL

- Current rating: 8A
- Working voltage: 300Vac
- Withstanding voltage: 1.6kV
- Contact resistance: 20 mOhm max

### MECHANICAL


- Solid wire: 28 - 16AWG / 0.08 - 1.5mm<sup>2</sup>
- Stranded wire: 28 - 16AWG / 0.08 - 1.5mm<sup>2</sup>
- Torque: 1.7Lb-In / 0.2Nm

- Wire strip length: 6 - 7mm
- Screw: M2
- Pitch: 3.81mm

### PACKAGING

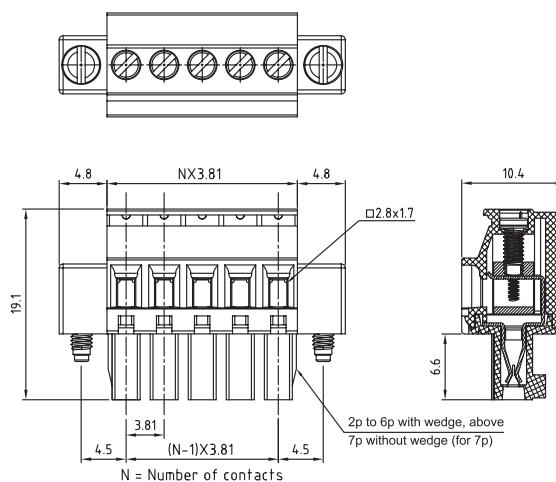
- Box

Note: Other pin number, 07 and 09 to 24, can be delivered but they are not kept in stock and are subject to MOQ

Order Code	Pins	AWG	Approval Certification
691 366 310 002	2	See Mechanical characteristics	
691 366 310 003	3		
691 366 310 004	4		
691 366 310 005	5		
691 366 310 006	6		
691 366 310 008	8		

NEW

## Serie 3673 - 3.81mm Horizontal Cable Entry Plug with Flanges & Hook on Back Side - 1.5mm<sup>2</sup> Wires WR-TBL



### MATERIAL

- Insulator material: PA 66
- Flammability rating: UL94-V0
- Colour: Green
- Metal housing: Brass (CuZn)
- Terminal screw: Steel Zinc plating "-" slot type
- Wire guard: PhBz, Tin plated
- Flange screw: Steel M2.5

### ENVIRONMENTAL

- Operating temperature: -40 °C up to 105 °C
- Compliance: Lead free & RoHS
- Safety approval: See table

### ELECTRICAL

- Current rating: 8A
- Working voltage: 300Vac
- Withstanding voltage: 1.6kV
- Contact resistance: 20 mOhm max

### MECHANICAL

- Solid wire: 26 - 16AWG / 0.13 - 1.5mm<sup>2</sup>
- Stranded wire: 26 - 16AWG / 0.13 - 1.5mm<sup>2</sup>
- Torque: 1.7Lb-In / 0.2Nm

### • Wire strip length

6 - 7mm

### • Screw:

M2



### • Pitch:

3.81mm

### PACKAGING

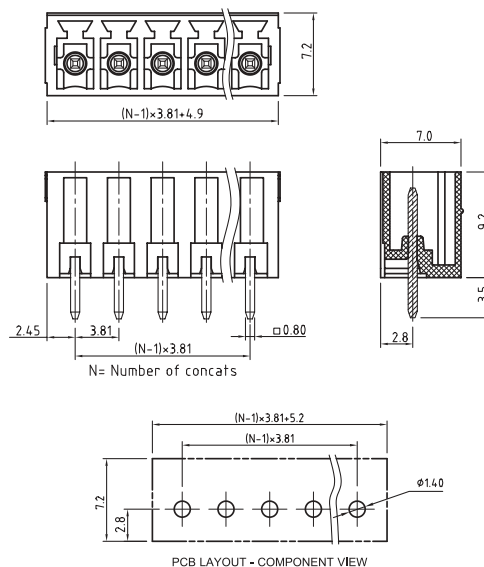
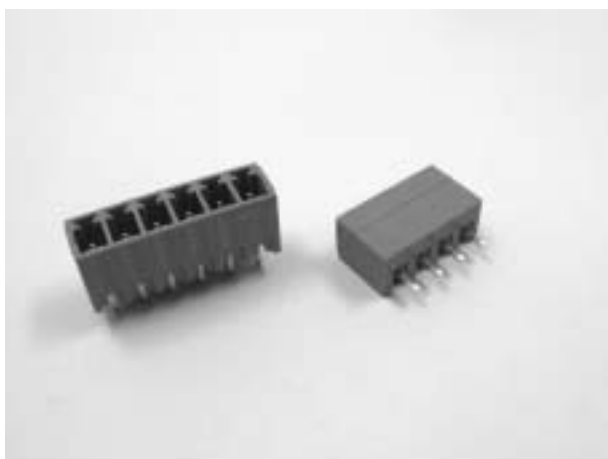
- Box

Note: Other pin number, 07 and 09 to 24, can be delivered but they are not kept in stock and are subject to MOQ

Order Code	Pins	AWG	Approval Certification
691 367 310 002	2	See Mechanical characteristics	 
691 367 310 003	3		
691 367 310 004	4		
691 367 310 005	5		
691 367 310 006	6		
691 367 310 008	8		

EXTENDED  
RANGE

## Serie 321 - 3.81mm Vertical PCB Header WR-TBL



### MATERIAL

- Insulator material: PA 66
- Flammability rating: UL94-V0
- Colour: Green
- Metal housing: Brass (CuZn)
- Surface of solder tail plating: Tin

### ENVIRONMENTAL

- Operating temperature:  $-40\text{ °C}$  up to  $105\text{ °C}$
- Compliance: Lead free & RoHS
- Safety approval: See table

### SOLDERING

- Solder temperature: JEDEC lead free wave soldering

### ELECTRICAL

- |                         |             |        |
|-------------------------|-------------|--------|
|                         | cULus       | VDE    |
| • Current rating:       | 10A         | 10.5A  |
| • Working voltage:      | 300Vac      | 300Vac |
| • Withstanding voltage: | 1.6kV       | 2.5kV  |
| • Contact resistance:   | 20 mOhm max |        |



### MECHANICAL

- Pitch: 3.81mm

### PACKAGING

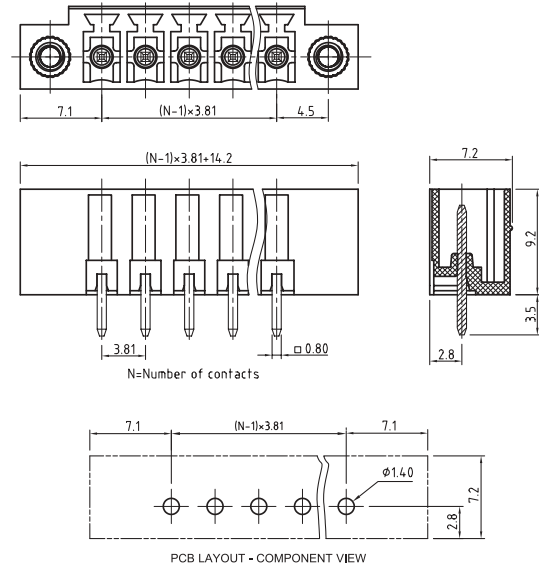
- Box

0 xx = 02 to 24pin

Order Code	Pins	AWG	Approval Certification
691 321 300 0 xx	2 to 24	See Mechanical characteristics	 

NEW

## Serie 3233 - 3.81mm Vertical PCB Header with Flanges WR-TBL



### MATERIAL

- Insulator material: PA 66
- Flammability rating: UL94-V0
- Colour: Green
- Contact PIN: Brass (CuZn)
- Surface of solder tail plating: Tin
- Flange screw nut: Brass M2.5

### ENVIRONMENTAL

- Operating temperature: -40 °C up to 105 °C
- Compliance: Lead free & RoHS
- Safety approval: See table

### SOLDERING

- Solder temperature: JEDEC lead free wave soldering

### ELECTRICAL

- Current rating: 10A
- Working voltage: 300Vac
- Withstanding voltage: 1.6kV
- Contact resistance: 20 mOhm max


### MECHANICAL

- Pitch: 3.81mm

### PACKAGING

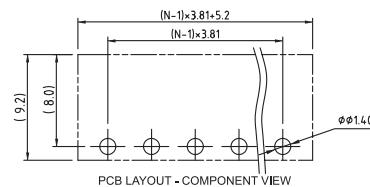
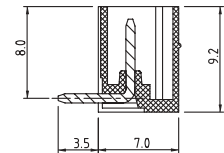
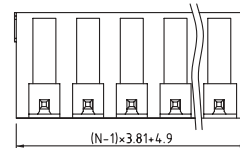
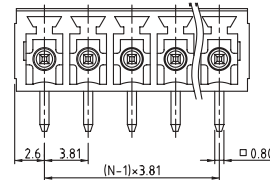
- Box

Note: Other pin number, 07 and 09 to 24, can be delivered but they are not kept in stock and are subject to MOQ

Order Code	Pins	AWG	Approval Certification
691 323 300 002	2	See Mechanical characteristics	
691 323 300 003	3		
691 323 300 004	4		
691 323 300 005	5		
691 323 300 006	6		
691 323 300 008	8		

EXTENDED  
RANGE

## Serie 322 - 3.81mm Horizontal PCB Header WR-TBL



### MATERIAL

- Insulator material: PA 66
- Flammability rating: UL94-V0
- Colour: Green
- Metal housing: Brass (CuZn)
- Surface of solder tail plating: Tin

### ENVIRONMENTAL

- Operating temperature: -40 °C up to 105 °C
- Compliance: Lead free & RoHS
- Safety approval: See table

### SOLDERING

- Solder temperature: JEDEC lead free wave soldering

### ELECTRICAL

- |                         |             |        |
|-------------------------|-------------|--------|
|                         | cULus       | VDE    |
| • Current rating:       | 10A         | 10.5A  |
| • Working voltage:      | 300Vac      | 300Vac |
| • Withstanding voltage: | 1.6kV       | 2.5kV  |
| • Contact resistance:   | 20 mOhm max |        |



### MECHANICAL

- Pitch: 3.81mm

### PACKAGING

- Box

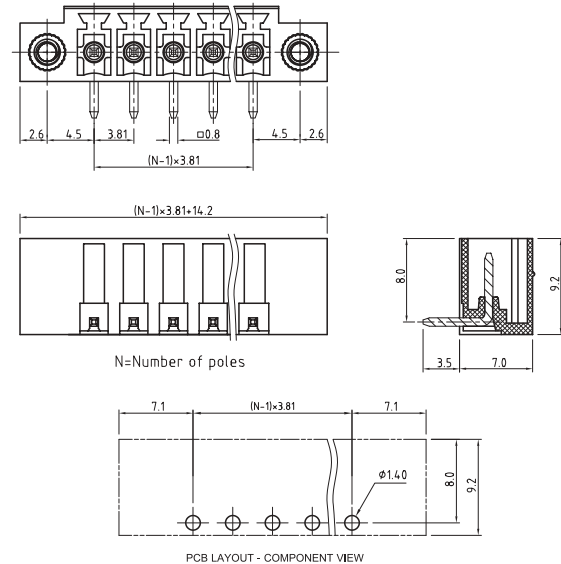
0 xx = 02 to 24pin

Order Code	Pins	AWG	Approval Certification
691 322 310 0 xx	2 to 24	See Mechanical characteristics	 



NEW

## Serie 3253 - 3.81mm Horizontal PCB Header with Flanges WR-TBL



### MATERIAL

- Insulator material: PA 66
- Flammability rating: UL94-V0
- Colour: Green
- Contact PIN: Brass (CuZn)
- Surface of solder tail plating: Tin
- Flange screw nut: Brass M2.5

### ENVIRONMENTAL

- Operating temperature: -40 °C up to 105 °C
- Compliance: Lead free & RoHS
- Safety approval: See table

### SOLDERING

- Solder temperature: JEDEC lead free wave soldering

### ELECTRICAL

- Current rating: cULus 10A
- Working voltage: VDE 10.5A
- Withstanding voltage: 300Vac 300Vac
- Contact resistance: 1.6kV 2.5kV
- Contact resistance: 20 mOhm max


### MECHANICAL

- Pitch: 3.81mm

### PACKAGING

- Box

Note: Other pin number, 07 and 09 to 24, can be delivered but they are not kept in stock and are subject to MOQ

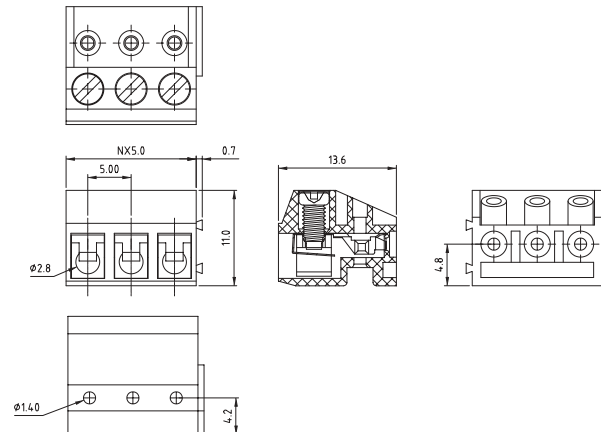
Order Code	Pins	AWG	Approval Certification
691 325 310 002	2	See Mechanical characteristics	
691 325 310 003	3		
691 325 310 004	4		
691 325 310 005	5		
691 325 310 006	6		
691 325 310 008	8		



## Serie 301 - 5.0mm Horizontal Entry Modular Plug with Pressure Clamp - 2.0mm<sup>2</sup> Wires WR-TBL



Stackable



### MATERIAL

- Insulator material: PA 66
- Flammability rating: UL94-V0
- Colour: Blue
- Metal housing: Brass (CuZn)
- Terminal screw: Steel Zinc plating "-" slot type
- Wire guard: PhBz

### ENVIRONMENTAL

- Operating temperature: -40 °C up to 105 °C
- Compliance: Lead free & RoHS
- Safety approval: See table

### ELECTRICAL

- Current rating: 15A
- Working voltage: 300Vac
- Withstanding voltage: 1.6kV
- Contact resistance: 20 mOhm max

cULus

VDE

15A

12A

300Vac

300Vac

1.6kV

2.5kV

20 mOhm max

### MECHANICAL

- Solid wire: 22 - 14AWG / 0.33 - 2.0mm<sup>2</sup>
- Stranded wire: 22 - 14AWG / 0.33 - 2.0mm<sup>2</sup>
- Torque: 3.5Lb-In / 0.4Nm

- Wire strip length: 5 - 6mm

5 - 6mm

- Screw: M2.6

M2.6

- Pitch: 5.0mm

5.0mm

### PACKAGING

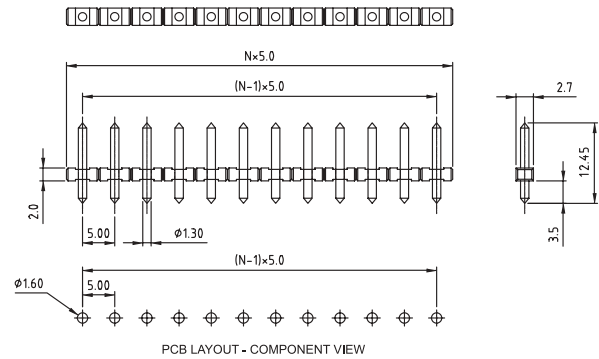
- Box

Note: Other pin number are available, based on combinations of 2 & 3pins, but they are not kept in stock and are subject to MOQ

Order Code	Pins	AWG	Approval Certification
691 301 710 002	2	See Mechanical characteristics	
691 301 710 003	3	See Mechanical characteristics	



## Serie 300 - 5.0mm Pin Header WR-TBL



### MATERIAL

- Insulator material: PA 66
- Flammability rating: UL94-V0
- Colour: Black
- Solid PIN: Brass (CuZn)
- Surface of solder tail plating: Tin

### ENVIRONMENTAL

- Operating temperature: -40 °C up to 105 °C
- Compliance: Lead free & RoHS
- Safety approval: See table

### SOLDERING

- Solder temperature: JEDEC lead free wave soldering

### ELECTRICAL

- |                         | UL     | VDE    |
|-------------------------|--------|--------|
| • Current rating:       | 15A    | 12A    |
| • Working voltage:      | 300Vac | 300Vac |
| • Withstanding voltage: | 1.6kV  | 2.5kV  |

### MECHANICAL

- Pitch: 5.0mm

### PACKAGING

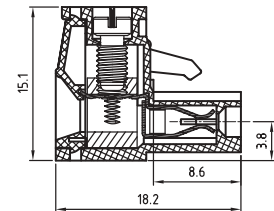
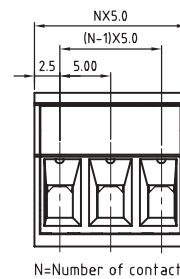
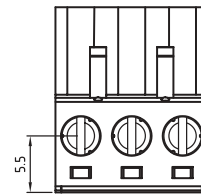
- Box

Note: Other pin number available but subject to MOQ and not kept in stock

Order Code	Pins	AWG	Approval Certification
691 300 700 024	24	See Mechanical characteristics	

NEW

## Serie 3527 - 5.00mm Vertical Cable Entry Plug - 3.0mm<sup>2</sup> Wires WR-TBL



### MATERIAL

- Insulator material: PA 66
- Flammability rating: UL94-V0
- Colour: Green
- Metal housing: Brass (CuZn)
- Terminal screw: Steel Zinc plating "L" slot type
- Wire guard: PhBz Tin plated

### ENVIRONMENTAL

- Operating temperature: -40 °C up to 105 °C
- Compliance: Lead free & RoHS
- Safety approval: See table

### ELECTRICAL

- Current rating: 20A
- Working voltage: 300Vac
- Withstanding voltage: 1.6kV
- Contact resistance: 20 mOhm max

### MECHANICAL


- Solid wire: 24 - 12AWG / 0.2 - 3.0mm<sup>2</sup>
- Stranded wire: 24 - 12AWG / 0.2 - 3.0mm<sup>2</sup>
- Torque: 5.0Lb-In / 0.5Nm

- Wire strip length: 7 - 8mm
- Screw: M3
- Pitch: 5.00mm

### PACKAGING

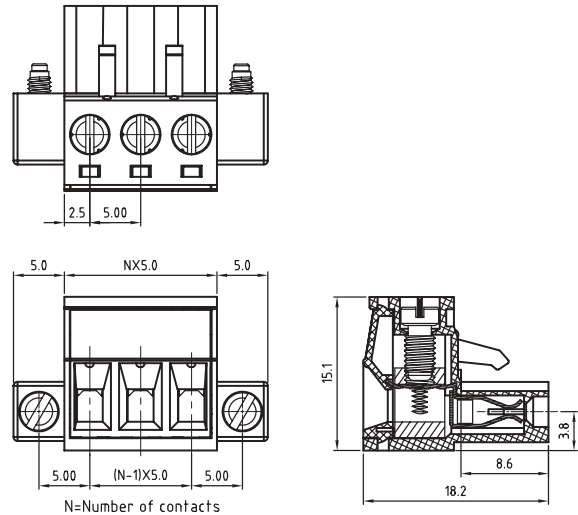
- Box

Note: Other pin number, 07 and 09 to 24, can be delivered but they are not kept in stock and are subject to MOQ

Order Code	Pins	AWG	Approval Certification
691 352 710 002	2	See Mechanical characteristics	
691 352 710 003	3		
691 352 710 004	4		
691 352 710 005	5		
691 352 710 006	6		
691 352 710 008	8		

NEW

## Serie 3437 - 5.00mm Vertical Cable Entry Plug with Flanges - 3.0mm<sup>2</sup> Wires WR-TBL



### MATERIAL

- Insulator material: PA 66
- Flammability rating: UL94-V0
- Colour: Green
- Metal housing: Brass (CuZn)
- Terminal screw: Steel Zinc plating "-" slot type
- Wire guard: PhBz Tin plated
- Flange screw: Steel M2.5

### ENVIRONMENTAL

- Operating temperature: -40 °C up to 105 °C
- Compliance: Lead free & RoHS
- Safety approval: See table

### ELECTRICAL

- Current rating: 20A
- Working voltage: 300Vac
- Withstanding voltage: 1.6kV
- Contact resistance: 20 mOhm max

### MECHANICAL



- Solid wire: 24 - 12AWG / 0.2 - 3.0mm<sup>2</sup>
- Stranded wire: 24 - 12AWG / 0.2 - 3.0mm<sup>2</sup>
- Torque: 5.0Lb-In / 0.5Nm

- Wire strip length: 7 - 8mm
- Screw: M3
- Pitch: 5.00mm

### PACKAGING

- Box

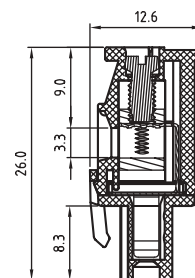
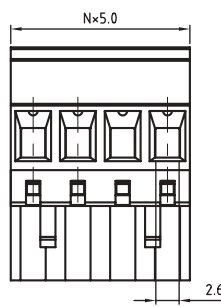
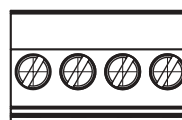
Note: Other pin number, 07 and 09 to 24, can be delivered but they are not kept in stock and are subject to MOQ

Order Code	Pins	AWG	Approval Certification
691 343 710 002	2	See Mechanical characteristics	 
691 343 710 003	3		
691 343 710 004	4		
691 343 710 005	5		
691 343 710 006	6		
691 343 710 008	8		

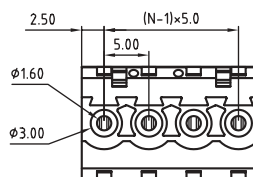


**NEW**

# Serie 3517 - 5.00mm Horizontal Cable Entry Plug with Hook on Wire Side - 3.0mm<sup>2</sup> Wires WR-TBL



N = Number of contacts



**MATERIAL**

- Insulator material: PA 66
- Flammability rating: UL94-V0
- Colour: Green
- Metal housing: Brass (CuZn)
- Terminal screw: Steel Zinc plating “-” slot type
- Wire guard: PhBz Tin plated

**ENVIRONMENTAL**

- Operating temperature: -40 °C up to 105 °C
- Compliance: Lead free & RoHS
- Safety approval: See table

**ELECTRICAL**

- Current rating: 15A
- Working voltage: 300Vac
- Withstanding voltage: 1.6kV
- Contact resistance: 20 mOhm max

**MECHANICAL**

- Solid wire: 24 - 12AWG / 0.2 - 3.0mm<sup>2</sup>
- Stranded wire: 24 - 12AWG / 0.2 - 3.0mm<sup>2</sup>
- Torque: 3.5Lb-In / 0.5Nm
- Wire strip length: 6 - 7mm
- Screw: M3
- Pitch: 5.00mm

**PACKAGING**

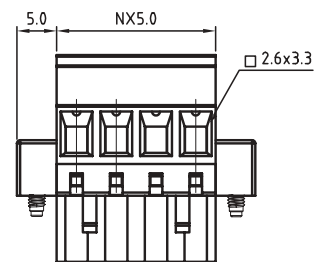
- Box

Note: Other pin number, 07 and 09 to 24, can be delivered but they are not kept in stock and are subject to MOQ

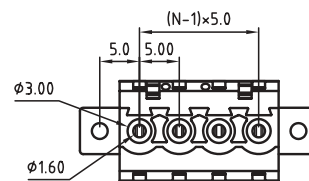
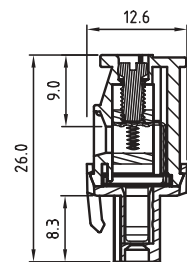
Order Code	Pins	AWG	Approval Certification
691 351 700 002	2	See Mechanical characteristics	
691 351 700 003	3		
691 351 700 004	4		
691 351 700 005	5		
691 351 700 006	6		
691 351 700 008	8		

NEW

## Serie 3407 - 5.00mm Horiz. Cable Entry Plug with Flanges & Hook on Wire Side - 3.0mm<sup>2</sup> Wires WR-TBL



N=Number of contacts



### MATERIAL

- Insulator material: PA 66
- Flammability rating: UL94-V0
- Colour: Green
- Metal housing: Brass (CuZn)
- Terminal screw: Steel Zinc plating "-" slot type
- Wire guard: PhBz Tin plated
- Flange screw: Steel M2.5

### ENVIRONMENTAL

- Operating temperature: -40 °C up to 105 °C
- Compliance: Lead free & RoHS
- Safety approval: See table

### ELECTRICAL

- Current rating: 15A
- Working voltage: 300Vac
- Withstanding voltage: 1.6kV
- Contact resistance: 20 mOhm max

### MECHANICAL


- Solid wire: 24 - 12AWG / 0.2 - 3.0mm<sup>2</sup>
- Stranded wire: 24 - 12AWG / 0.2 - 3.0mm<sup>2</sup>
- Torque: 3.5Lb-In / 0.5Nm

- Wire strip length: 6 - 7mm
- Screw: M3
- Pitch: 5.00mm

### PACKAGING

- Box

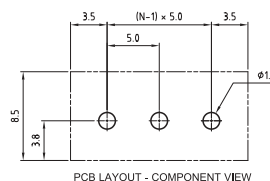
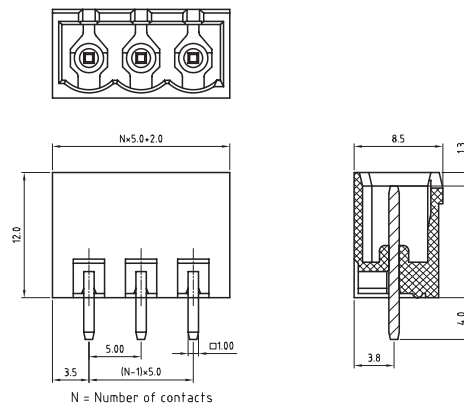
Note: Other pin number, 07 and 09 to 24, can be delivered but they are not kept in stock and are subject to MOQ

Order Code	Pins	AWG	Approval Certification
691 340 700 002	2	See Mechanical characteristics	
691 340 700 003	3		
691 340 700 004	4		
691 340 700 005	5		
691 340 700 006	6		
691 340 700 008	8		



**NEW**

# Serie 3117 - 5.00mm Close Vertical PCB Header WR-TBL



**MATERIAL**

- Insulator material: PBT
- Flammability rating: UL94-V0
- Colour: Green
- Contact PIN: Brass (CuZn)
- Surface of solder tail plating: Tin

**ENVIRONMENTAL**

- Operating temperature: -40 °C up to 105 °C
- Compliance: Lead free & RoHS
- Safety approval: See table

**SOLDERING**

- Solder temperature: JEDEC lead free wave soldering

**ELECTRICAL**

- Current rating: cULus 20A, VDE 20A
- Working voltage: 300Vac, 300Vac
- Withstanding voltage: 1.6kV, 2.5kV
- Contact resistance: 20 mOhm max

**MECHANICAL**

- Pitch: 5.00mm

**PACKAGING**

- Box

Note: Other pin number, 07 and 09 to 24, can be delivered but they are not kept in stock and are subject to MOQ

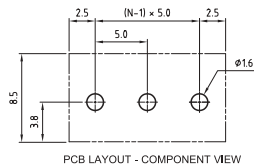
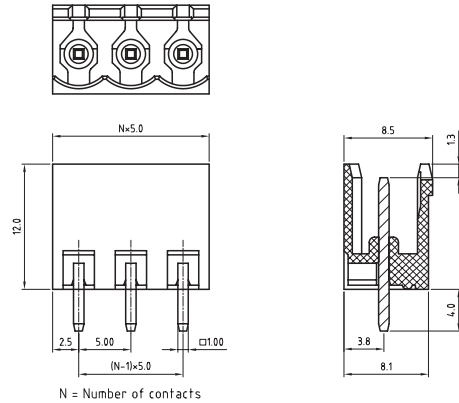
Order Code	Pins	AWG	Approval Certification
691 311 700 102	2	See Mechanical characteristics	
691 311 700 103	3		
691 311 700 104	4		
691 311 700 105	5		
691 311 700 106	6		
691 311 700 108	8		





**NEW**

# Serie 3117 - 5.00mm Open Vertical PCB Header WR-TBL



**MATERIAL**

- Insulator material: PBT
- Flammability rating: UL94-V0
- Colour: Green
- Contact PIN: Brass (CuZn)
- Surface of solder tail plating: Tin

**ENVIRONMENTAL**

- Operating temperature: -40 °C up to 105 °C
- Compliance: Lead free & RoHS
- Safety approval: See table

**SOLDERING**

- Solder temperature: JEDEC lead free wave soldering

**ELECTRICAL**

- Current rating: 20A
- Working voltage: 300Vac
- Withstanding voltage: 1.6kV
- Contact resistance: 20 mOhm max

**MECHANICAL**

- Pitch: 5.00mm

**PACKAGING**

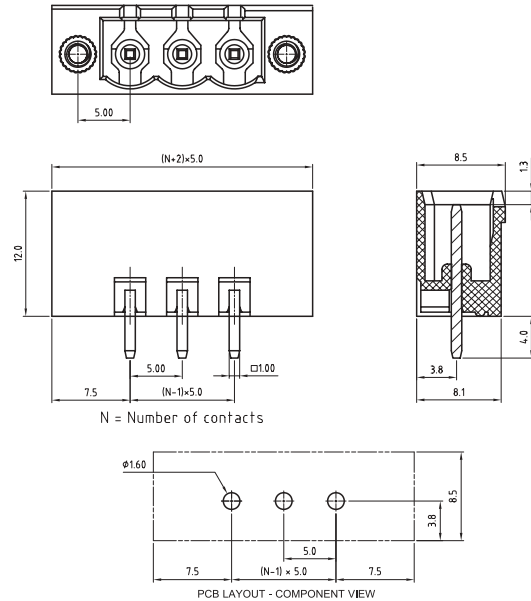
- Box

Note: Other pin number, 07 and 09 to 24, can be delivered but they are not kept in stock and are subject to MOQ

Order Code	Pins	AWG	Approval Certification
691 311 700 002	2	See Mechanical characteristics	
691 311 700 003	3		
691 311 700 004	4		
691 311 700 005	5		
691 311 700 006	6		
691 311 700 008	8		

NEW

## Serie 3187 - 5.00mm Close Vertical PCB Header with Flanges WR-TBL



### MATERIAL

- Insulator material: PBT
- Flammability rating: UL94-V0
- Colour: Green
- Contact PIN: Brass (CuZn)
- Surface of solder tail plating: Tin
- Flange screw nut: Brass M2.5

### ENVIRONMENTAL

- Operating temperature: -40 °C up to 105 °C
- Compliance: Lead free & RoHS
- Safety approval: See table

### SOLDERING

- Solder temperature: JEDEC lead free wave soldering

### ELECTRICAL

- Current rating: 20A
- Working voltage: 300Vac
- Withstanding voltage: 1.6kV
- Contact resistance: 20 mOhm max


### MECHANICAL

- Pitch: 5.00mm

### PACKAGING

- Box

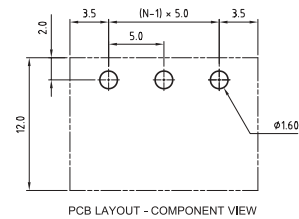
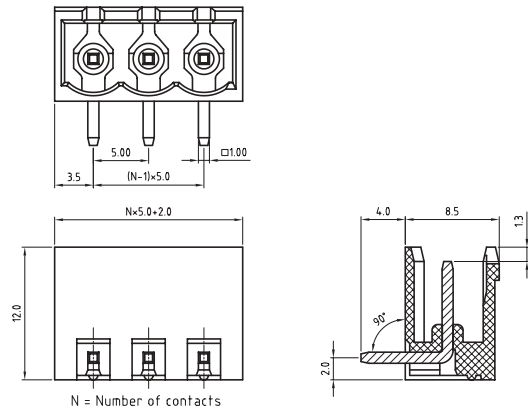
Note: Other pin number, 07 and 09 to 24, can be delivered but they are not kept in stock and are subject to MOQ

Order Code	Pins	AWG	Approval Certification
691 318 700 002	2	See Mechanical characteristics	
691 318 700 003	3		
691 318 700 004	4		
691 318 700 005	5		
691 318 700 006	6		
691 318 700 008	8		



**NEW**

# Serie 3137 - 5.00mm Close Horizontal PCB Header WR-TBL



**MATERIAL**

- Insulator material: PBT
- Flammability rating: UL94-V0
- Colour: Green
- Contact PIN: Brass (CuZn)
- Surface of solder tail plating: Tin

**ENVIRONMENTAL**

- Operating temperature: -40 °C up to 105 °C
- Compliance: Lead free & RoHS
- Safety approval: See table

**SOLDERING**

- Solder temperature: JEDEC lead free wave soldering

**ELECTRICAL**

- Current rating: cULus 20A
- Working voltage: VDE 20A 300Vac
- Withstanding voltage: 1.6kV 2.5kV
- Contact resistance: 20 mOhm max

**MECHANICAL**

- Pitch: 5.00mm

**PACKAGING**

- Box

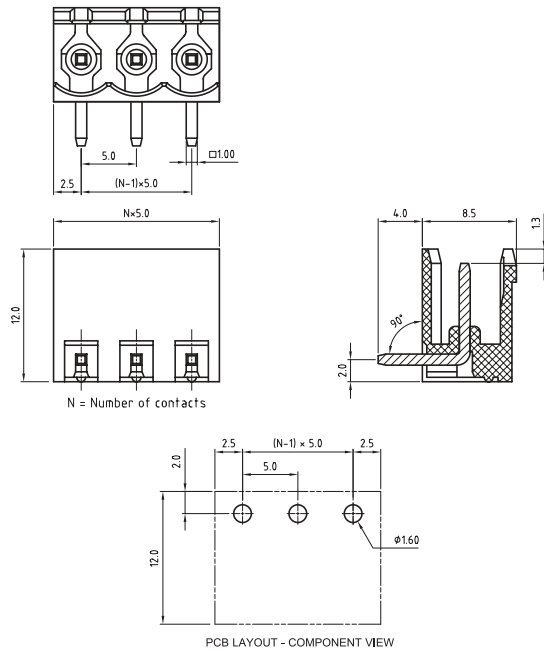
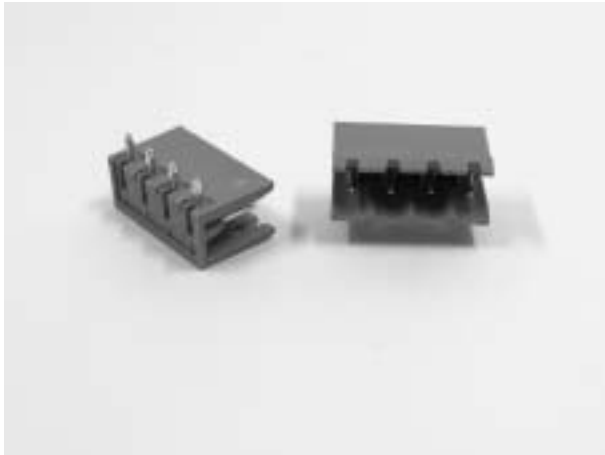
Note: Other pin number, 07 and 09 to 24, can be delivered but they are not kept in stock and are subject to MOQ

Order Code	Pins	AWG	Approval Certification
691 313 710 002	2	See Mechanical characteristics	
691 313 710 003	3		
691 313 710 004	4		
691 313 710 005	5		
691 313 710 006	6		
691 313 710 008	8		



**NEW**

# Serie 3127 - 5.00mm Open Horizontal PCB Header WR-TBL



**MATERIAL**

- Insulator material: PBT
- Flammability rating: UL94-V0
- Colour: Green
- Contact PIN: Brass (CuZn)
- Surface of solder tail plating: Tin

**ENVIRONMENTAL**

- Operating temperature: -40 °C up to 105 °C
- Compliance: Lead free & RoHS
- Safety approval: See table

**SOLDERING**

- Solder temperature: JEDEC lead free wave soldering

**ELECTRICAL**

- Current rating: 20A
- Working voltage: 300Vac
- Withstanding voltage: 1.6kV
- Contact resistance: 20 mOhm max

**MECHANICAL**

- Pitch: 5.00mm

**PACKAGING**

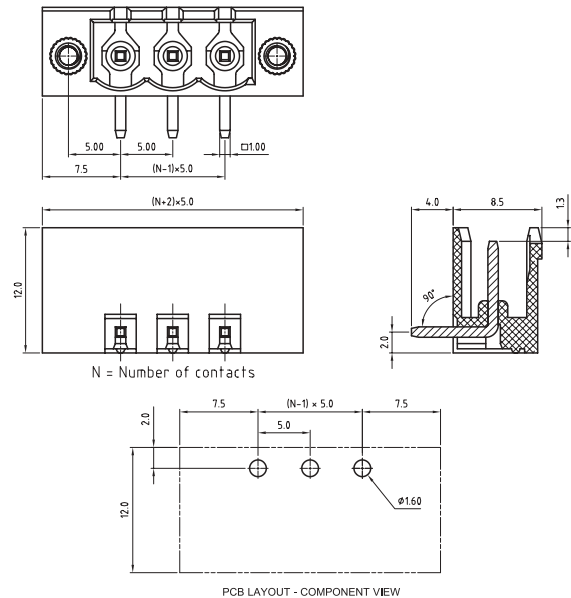
- Box

Note: Other pin number, 07 and 09 to 24, can be delivered but they are not kept in stock and are subject to MOQ

Order Code	Pins	AWG	Approval Certification
691 312 710 002	2	See Mechanical characteristics	
691 312 710 003	3		
691 312 710 004	4		
691 312 710 005	5		
691 312 710 006	6		
691 312 710 008	8		

NEW

## Serie 3177 - 5.00mm Close Horizontal PCB Header with Flanges WR-TBL



### MATERIAL

- Insulator material: PBT
- Flammability rating: UL94-V0
- Colour: Green
- Contact PIN: Brass (CuZn)
- Surface of solder tail plating: Tin
- Flange screw nut: Brass M2.5

### ENVIRONMENTAL

- Operating temperature: -40 °C up to 105 °C
- Compliance: Lead free & RoHS
- Safety approval: See table

### SOLDERING

- Solder temperature: JEDEC lead free wave soldering

### ELECTRICAL

- |                         |             |        |
|-------------------------|-------------|--------|
| • Current rating:       | cULus       | VDE    |
| • Working voltage:      | 20A         | 20A    |
| • Withstanding voltage: | 300Vac      | 300Vac |
| • Contact resistance:   | 1.6kV       | 2.5kV  |
|                         | 20 mOhm max |        |



### MECHANICAL

- Pitch: 5.00mm

### PACKAGING

- Box

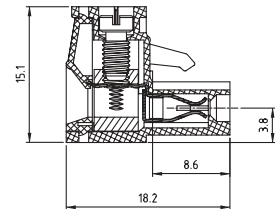
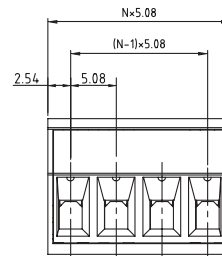
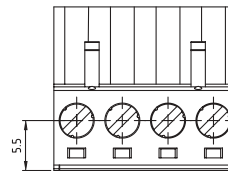
Note: Other pin number, 07 and 09 to 24, can be delivered but they are not kept in stock and are subject to MOQ

Order Code	Pins	AWG	Approval Certification
691 317 710 002	2	See Mechanical characteristics	 
691 317 710 003	3		
691 317 710 004	4		
691 317 710 005	5		
691 317 710 006	6		
691 317 710 008	8		



EXTENDED  
RANGE

## Serie 351 - 5.08mm Vertical Cable Entry Plug - 3.0mm<sup>2</sup> Wires WR-TBL



### MATERIAL

- Insulator material: PA 66
- Flammability rating: UL94-V0
- Colour: Green
- Metal housing: Brass (CuZn)
- Terminal screw: Steel Zinc plating "-" slot type
- Wire guard: PhBz, Tin plated

### ENVIRONMENTAL

- Operating temperature: -40 °C up to 105 °C
- Compliance: Lead free & RoHS
- Safety approval: See table

### ELECTRICAL

- Current rating: 20A
- Working voltage: 300Vac
- Withstanding voltage: 1.6kV
- Contact resistance: 20 mOhm max

### MECHANICAL

- Solid wire: 24 - 12AWG / 0.2 - 3.0mm<sup>2</sup>
- Stranded wire: 24 - 12AWG / 0.2 - 3.0mm<sup>2</sup>
- Torque: 5Lb-In / 0.5Nm

- Wire strip length: 7 - 8mm
- Screw: M3
- Pitch: 5.08mm

### PACKAGING

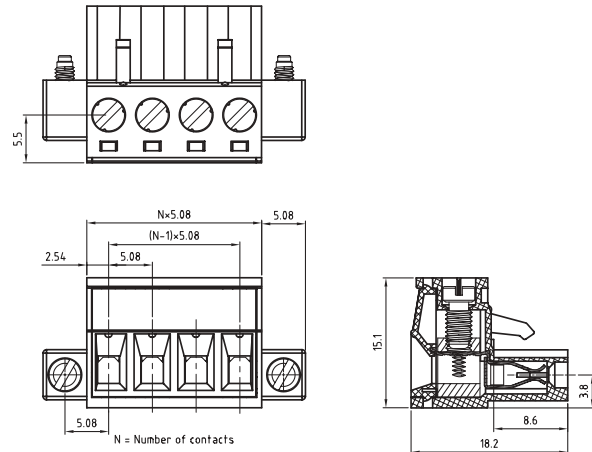
- Box

0 xx = 02 to 24pin

Order Code	Pins	AWG	Approval Certification
691 351 500 0 xx	2 to 24	See Mechanical characteristics	

NEW

## Serie 3405 - 5.08mm Vertical Cable Entry Plug with Flanges - 3.0mm<sup>2</sup> Wires WR-TBL



### MATERIAL

- Insulator material: PA 66
- Flammability rating: UL94-V0
- Colour: Green
- Metal housing: Brass (CuZn)
- Terminal screw: Steel Zinc plating “-” slot type
- Wire guard: PhBz, Tin plated
- Flange screw: Steel M2.5

### ENVIRONMENTAL

- Operating temperature: -40 °C up to 105 °C
- Compliance: Lead free & RoHS
- Safety approval: See table

### ELECTRICAL

- Current rating: 20A
- Working voltage: 300Vac
- Withstanding voltage: 1.6kV
- Contact resistance: 20 mOhm max

### MECHANICAL



- Solid wire: 24 - 12AWG / 0.2 - 3.0mm<sup>2</sup>
- Stranded wire: 24 - 12AWG / 0.2 - 3.0mm<sup>2</sup>
- Torque: 5Lb-In / 0.5Nm

- Wire strip length: 7 - 8mm
- Screw: M3
- Pitch: 5.08mm

### PACKAGING

- Box

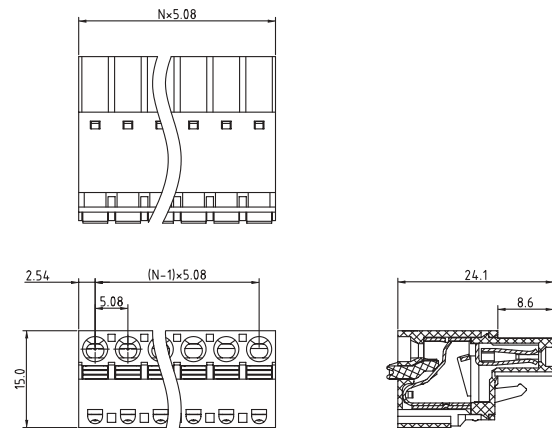
Note: Other pin number, 07 and 09 to 24, can be delivered but they are not kept in stock and are subject to MOQ

Order Code	Pins	AWG	Approval Certification
691 340 500 002	2	See Mechanical characteristics	 
691 340 500 003	3		
691 340 500 004	4		
691 340 500 005	5		
691 340 500 006	6		
691 340 500 008	8		



EXTENDED  
RANGE

## Serie 353 - 5.08mm Screwless Vertical Cable Entry Plug - 3.0mm<sup>2</sup> Wires WR-TBL



### MATERIAL

- Insulator material: PA 66
- Flammability rating: UL94-V0
- Colour: Green
- Contact: PhBz, Tin plated
- Wire guard: Stainless Steel

### ENVIRONMENTAL

- Operating temperature: -40 °C up to 105 °C
- Compliance: Lead free & RoHS
- Safety approval: See table

### ELECTRICAL

- Current rating: 10A
- Working voltage: 300Vac
- Withstanding voltage: 1.6kV
- Contact resistance: 20 mOhm max

### MECHANICAL

- Solid wire: 26 - 12AWG / 0.13 to 3.0mm<sup>2</sup>
- Stranded wire: 26 - 12AWG / 0.13 to 3.0mm<sup>2</sup>

- Wire strip length: 6 - 7mm
- Pitch: 5.08mm

### PACKAGING

- Box

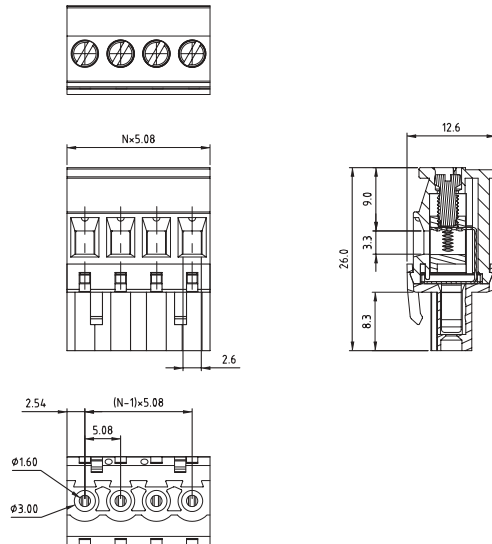
0 xx = 02 to 24pin

Order Code	Pins	AWG	Approval Certification
691 353 500 0 xx	2 to 24	See Mechanical characteristics	



EXTENDED  
RANGE

## Serie 352 - 5.08mm Horizontal Cable Entry Plug with Hook on Wire Side - 3.0mm<sup>2</sup> Wires WR-TBL



### MATERIAL

- Insulator material: PA 66
- Flammability rating: UL94-V0
- Colour: Green
- Metal housing: Brass (CuZn)
- Terminal screw: Steel Zinc plating "-" slot type
- Wire guard: PhBz Tin plated

### ENVIRONMENTAL

- Operating temperature: -40 °C up to 105 °C
- Compliance: Lead free & RoHS
- Safety approval: See table

### ELECTRICAL

- Current rating: 15A
- Working voltage: 300Vac
- Withstanding voltage: 1.6kV
- Contact resistance: 20 mOhm max

### MECHANICAL



- Solid wire: 24 - 12AWG / 0.20 - 3.0mm<sup>2</sup>
- Stranded wire: 24 - 12AWG / 0.20 - 3.0mm<sup>2</sup>
- Torque: 3.5Lb-In / 0.5Nm

- Wire strip length: 6 - 7mm
- Screw: M3
- Pitch: 5.08mm

### PACKAGING

- Box

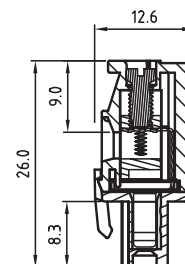
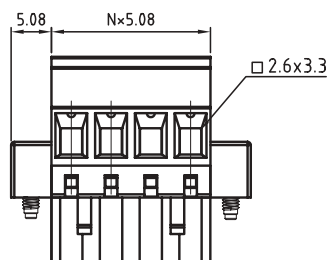
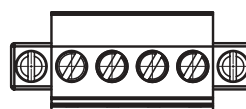
0 xx = 02 to 24pin

Order Code	Pins	AWG	Approval Certification
691 352 510 0 xx	2 to 24	See Mechanical characteristics	 

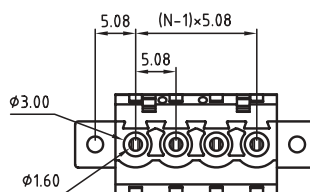


**NEW**

# Serie 3435 - 5.08mm Horizontal Cable Entry Plug with Hook on Wire Side & Flanges - 3.0mm<sup>2</sup> WR-TBL



N=Number of contacts



**MATERIAL**

- Insulator material: PA 66
- Flammability rating: UL94-V0
- Colour: Green
- Metal housing: Brass (CuZn)
- Terminal screw: Steel Zinc plating “-” slot type
- Wire guard: PhBz Tin plated
- Flange screw: Steel M2.5

**ENVIRONMENTAL**

- Operating temperature: -40 °C up to 105 °C
- Compliance: Lead free & RoHS
- Safety approval: See table

**ELECTRICAL**

- Current rating: cULus 15A VDE 17A
- Working voltage: 300Vac 300Vac
- Withstanding voltage: 1.6kV 2.5kV
- Contact resistance: 20 mOhm max

**MECHANICAL**

- Solid wire: 24 - 12AWG / 0.20 - 3.0mm<sup>2</sup>
- Stranded wire: 24 - 12AWG / 0.20 - 3.0mm<sup>2</sup>
- Torque: 3.5Lb-In / 0.5Nm
- Wire strip length: 6 - 7mm
- Screw: M3
- Pitch: 5.08mm

**PACKAGING**

- Box

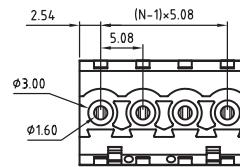
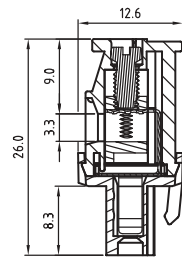
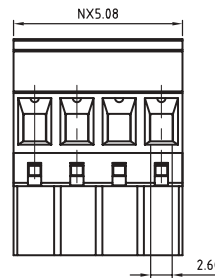
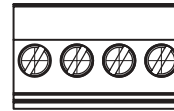
Note: Other pin number, 07 and 09 to 24, can be delivered but they are not kept in stock and are subject to MOQ

Order Code	Pins	AWG	Approval Certification
691 343 510 002	2	See Mechanical characteristics	
691 343 510 003	3		
691 343 510 004	4		
691 343 510 005	5		
691 343 510 006	6		
691 343 510 008	8		



**NEW**

# Serie 3445 - 5.08mm Horizontal Cable Entry Plug with Hook on Back Side - 3.0mm<sup>2</sup> Wires WR-TBL



**MATERIAL**

- Insulator material: PA 66
- Flammability rating: UL94-V0
- Colour: Green
- Metal housing: Brass (CuZn)
- Terminal screw: Steel Zinc plating “-” slot type
- Wire guard: PhBz Tin plated

**ENVIRONMENTAL**

- Operating temperature: -40 °C up to 105 °C
- Compliance: Lead free & RoHS
- Safety approval: See table

**ELECTRICAL**

- Current rating: 15A
- Working voltage: 300Vac
- Withstanding voltage: 1.6kV
- Contact resistance: 20 mOhm max

**MECHANICAL**

- Solid wire: 24 - 12AWG / 0.20 - 3.0mm<sup>2</sup>
- Stranded wire: 24 - 12AWG / 0.20 - 3.0mm<sup>2</sup>
- Torque: 3.5Lb-In / 0.5Nm

- Wire strip length: 6 - 7mm
- Screw: M3
- Pitch: 5.08mm

**PACKAGING**

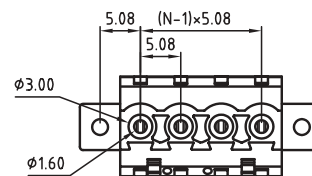
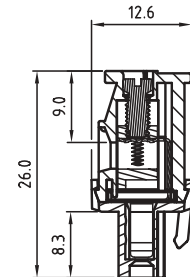
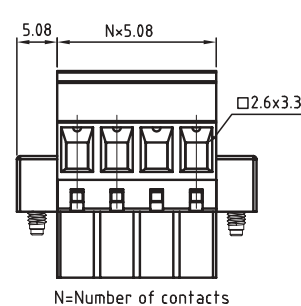
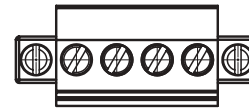
- Box

Note: Other pin number, 07 and 09 to 24, can be delivered but they are not kept in stock and are subject to MOQ

Order Code	Pins	AWG	Approval Certification
691 344 510 002	2	See Mechanical characteristics	
691 344 510 003	3		
691 344 510 004	4		
691 344 510 005	5		
691 344 510 006	6		
691 344 510 008	8		

NEW

## Serie 3455 - 5.08mm Horizontal Cable Entry Plug with Hook Back Wire Side & Flanges - 3.0mm<sup>2</sup> Wires WR-TBL



### MATERIAL

- Insulator material: PA 66
- Flammability rating: UL94-V0
- Colour: Green
- Metal housing: Brass (CuZn)
- Terminal screw: Steel Zinc plating "-" slot type
- Wire guard: PhBz Tin plated
- Flange screw: Steel M2.5

### ENVIRONMENTAL

- Operating temperature: -40 °C up to 105 °C
- Compliance: Lead free & RoHS
- Safety approval: See table

### ELECTRICAL

- Current rating: 15A
- Working voltage: 300Vac
- Withstanding voltage: 1.6kV
- Contact resistance: 20 mOhm max

### MECHANICAL


- Solid wire: 24 - 12AWG / 0.20 - 3.0mm<sup>2</sup>
- Stranded wire: 24 - 12AWG / 0.20 - 3.0mm<sup>2</sup>
- Torque: 3.5Lb-In / 0.5Nm

- Wire strip length: 6 - 7mm
- Screw: M3
- Pitch: 5.08mm

### PACKAGING

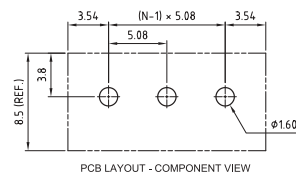
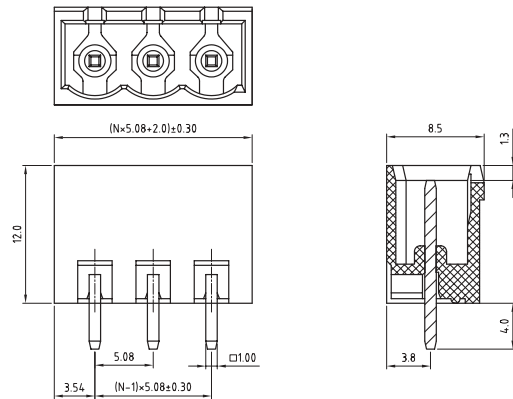
- Box

Note: Other pin number, 07 and 09 to 24, can be delivered but they are not kept in stock and are subject to MOQ

Order Code	Pins	AWG	Approval Certification
691 345 510 002	2	See Mechanical characteristics	
691 345 510 003	3		
691 345 510 004	4		
691 345 510 005	5		
691 345 510 006	6		
691 345 510 008	8		

NEW

## Serie 311 - 5.08mm Close Vertical PCB Header WR-TBL



### MATERIAL

- Insulator material: PBT
- Flammability rating: UL94-V0
- Colour: Green
- Contact PIN: Brass (CuZn)
- Surface of solder tail plating: Tin

### ENVIRONMENTAL

- Operating temperature:  $-40\text{ °C}$  up to  $105\text{ °C}$
- Compliance: Lead free & RoHS
- Safety approval: See table

### SOLDERING

- Solder temperature: JEDEC lead free wave soldering

### ELECTRICAL

- Current rating: 20A
- Working voltage: 300Vac
- Withstanding voltage: 1.6kV
- Contact resistance: 20 mOhm max



### MECHANICAL

- Pitch: 5.08mm

### PACKAGING

- Box

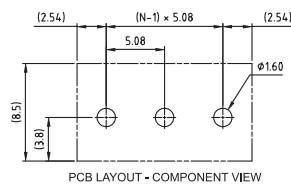
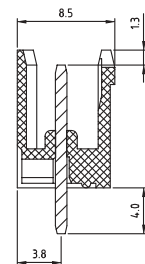
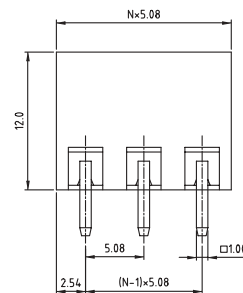
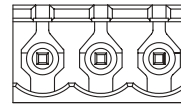
xx = 02 to 24pin

Order Code	Pins	AWG	Approval Certification
691 311 500 1 xx	2 to 24	See Mechanical characteristics	 



EXTENDED  
RANGE

## Serie 311 - 5.08mm Open Vertical PCB Header WR-TBL



### MATERIAL

- Insulator material: PBT
- Flammability rating: UL94-V0
- Colour: Green
- Contact PIN: Brass (CuZn)
- Surface of solder tail plating: Tin

### ENVIRONMENTAL

- Operating temperature: -40 °C up to 105 °C
- Compliance: Lead free & RoHS
- Safety approval: See table

### SOLDERING

- Solder temperature: JEDEC lead free wave soldering

### ELECTRICAL

- Current rating: 20A
- Working voltage: 300Vac
- Withstanding voltage: 1.6kV
- Contact resistance: 20 mOhm max

### MECHANICAL

- Pitch: 5.08mm

### PACKAGING

- Box

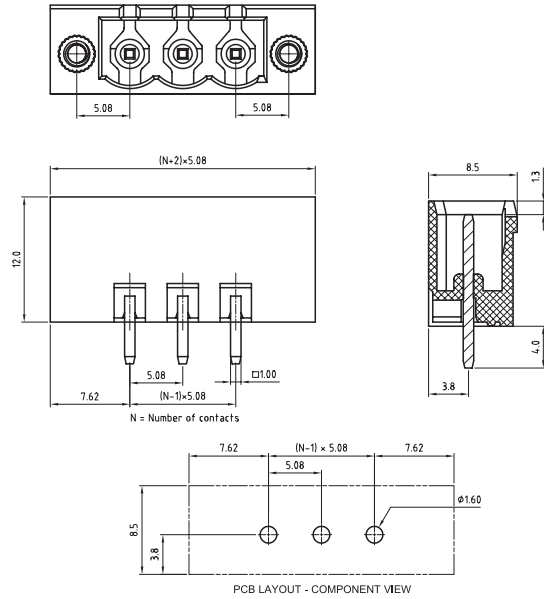
xx = 02 to 24pin

Order Code	Pins	AWG	Approval Certification
691 311 500 0 xx	2 to 24	See Mechanical characteristics	



**NEW**

# Serie 3185 - 5.08mm Close Vertical PCB Header with Flanges WR-TBL



**MATERIAL**

- Insulator material: PBT
- Flammability rating: UL94-V0
- Colour: Green
- Contact PIN: Brass (CuZn)
- Surface of solder tail plating: Tin
- Flange screw nut: Brass M2.5

**ENVIRONMENTAL**

- Operating temperature: -40 °C up to 105 °C
- Compliance: Lead free & RoHS
- Safety approval: See table

**SOLDERING**

- Solder temperature: JEDEC lead free wave soldering

**ELECTRICAL**

- Current rating: cULus 20A
- Working voltage: VDE 20A 300Vac
- Withstanding voltage: 1.6kV 2.5kV
- Contact resistance: 20 mOhm max

**MECHANICAL**

- Pitch: 5.08mm

**PACKAGING**

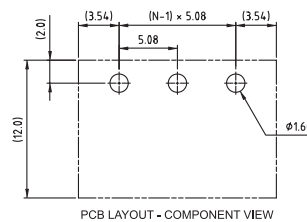
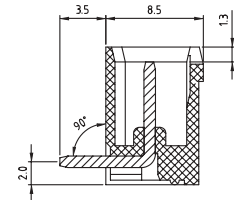
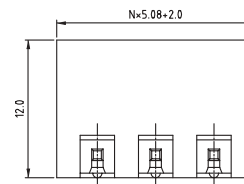
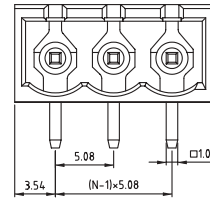
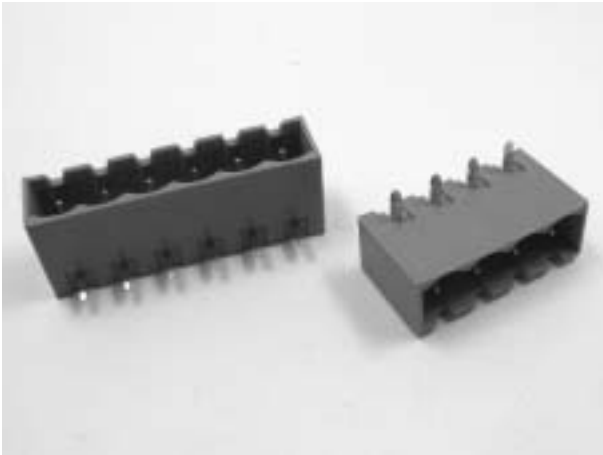
- Box

Note: Other pin number, 07 and 09 to 24, can be delivered but they are not kept in stock and are subject to MOQ

Order Code	Pins	AWG	Approval Certification
691 318 500 002	2	See Mechanical characteristics	
691 318 500 003	3		
691 318 500 004	4		
691 318 500 005	5		
691 318 500 006	6		
691 318 500 008	8		

EXTENDED  
RANGE

## Serie 313 - 5.08mm Close Horizontal PCB Header WR-TBL



### MATERIAL

- Insulator material: PBT
- Flammability rating: UL94-V0
- Colour: Green
- Contact PIN: Brass (CuZn)
- Surface of solder tail plating: Tin

### ENVIRONMENTAL

- Operating temperature: -40 °C up to 105 °C
- Compliance: Lead free & RoHS
- Safety approval: See table

### SOLDERING

- Solder temperature: JEDEC lead free wave soldering

### ELECTRICAL

- Current rating: 20A
- Working voltage: 300Vac
- Withstanding voltage: 1.6kV
- Contact resistance: 20 mOhm max

cULus

20A  
300Vac  
1.6kV

VDE

20A  
300Vac  
2.5kV



### MECHANICAL

- Pitch: 5.08mm

### PACKAGING

- Box

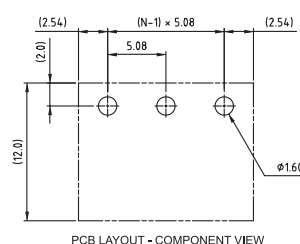
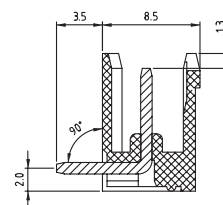
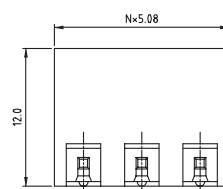
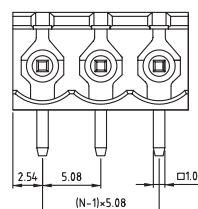
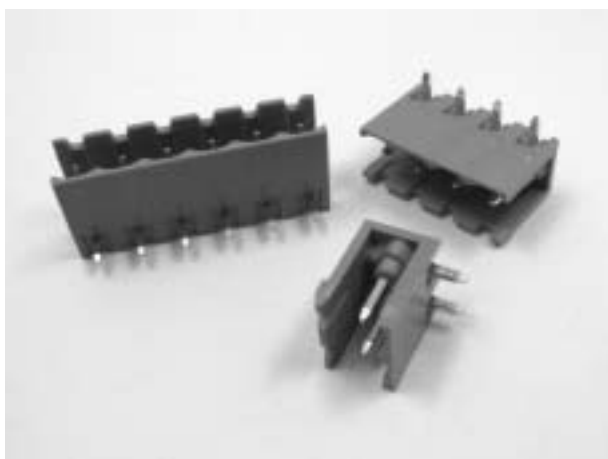
xx = 02 to 24pin

Order Code	Pins	AWG	Approval Certification
691 313 510 0 xx	2 to 24	See Mechanical characteristics	 



EXTENDED  
RANGE

## Serie 312 - 5.08mm Open Horizontal PCB Header WR-TBL



PCB LAYOUT - COMPONENT VIEW



### MATERIAL

- Insulator material:
- Flammability rating:
- Colour:
- Contact PIN:
- Surface of solder tail plating:

PBT  
UL94-V0  
Green  
Brass (CuZn)  
Tin

### ENVIRONMENTAL

- Operating temperature:
- Compliance:
- Safety approval:

-40 °C up to 105 °C  
Lead free & RoHS  
See table

### SOLDERING

- Solder temperature: JEDEC lead free wave soldering

### ELECTRICAL

- Current rating:
- Working voltage:
- Withstanding voltage:
- Contact resistance:

cULus  
20A  
300Vac  
1.6kV  
20 mOhm max

VDE  
20A  
300Vac  
2.5kV

### MECHANICAL



- Pitch:

5.08mm

### PACKAGING

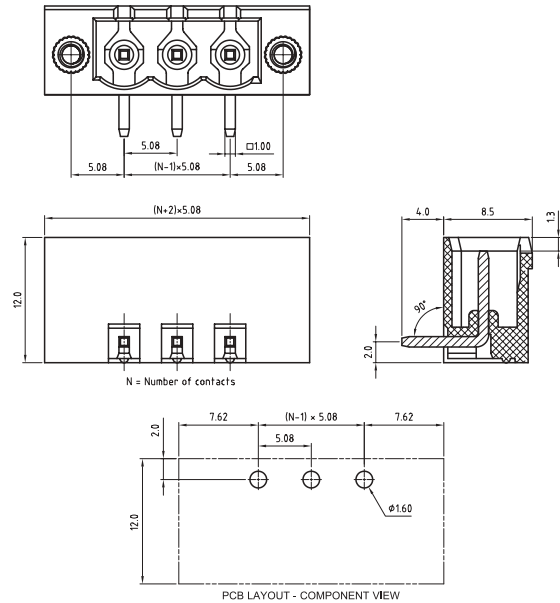
- Box

xx = 02 to 24pin

Order Code	Pins	AWG	Approval Certification
691 312 510 0 xx	2 to 24	See Mechanical characteristics	 

NEW

## Serie 3175 - 5.08mm Close Horizontal PCB Header with Flanges WR-TBL



### MATERIAL

- Insulator material: PBT
- Flammability rating: UL94-V0
- Colour: Green
- Contact PIN: Brass (CuZn)
- Surface of solder tail plating: Tin
- Flange screw nut: Brass M2.5

### ENVIRONMENTAL

- Operating temperature: -40 °C up to 105 °C
- Compliance: Lead free & RoHS
- Safety approval: See table

### SOLDERING

- Solder temperature: JEDEC lead free wave soldering

### ELECTRICAL

- Current rating: cULus 20A
- Working voltage: 300Vac
- Withstanding voltage: 1.6kV
- Contact resistance: 20 mOhm max


### MECHANICAL

- Pitch: 5.08mm

### PACKAGING

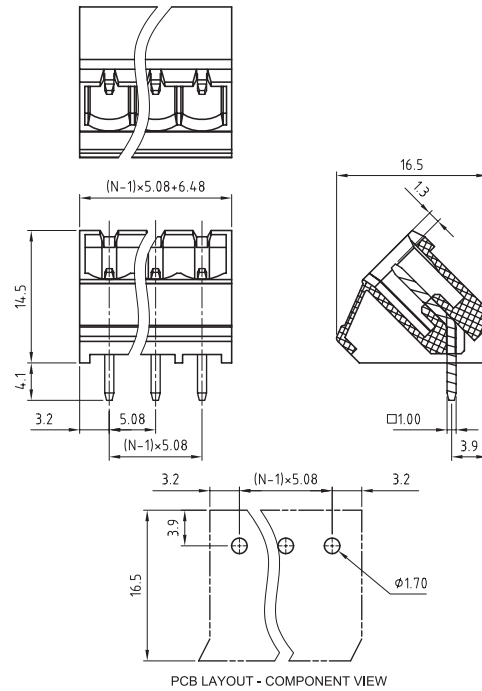
- Box

Note: Other pin number, 07 and 09 to 24, can be delivered but they are not kept in stock and are subject to MOQ

Order Code	Pins	AWG	Approval Certification
691 317 510 002	2	See Mechanical characteristics	
691 317 510 003	3		
691 317 510 004	4		
691 317 510 005	5		
691 317 510 006	6		
691 317 510 008	8		

NEW

## Serie 314 - 5.08mm Close 45° PCB Header WR-TBL



### MATERIAL

- Insulator material: PA 66
- Flammability rating: UL94-V0
- Colour: Green
- Contact PIN: Brass (CuZn)
- Surface of solder tail plating: Tin

### ENVIRONMENTAL

- Operating temperature: -40 °C up to 105 °C
- Compliance: Lead free & RoHS
- Safety approval: See table

### SOLDERING

- Solder temperature: JEDEC lead free wave soldering

### ELECTRICAL

- Current rating: 20A
- Working voltage: 300Vac
- Withstanding voltage: 1.6kV
- Contact resistance: 20 mOhm max



### MECHANICAL

- Pitch: 5.08mm

### PACKAGING

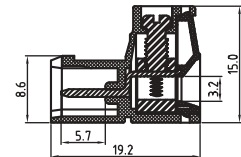
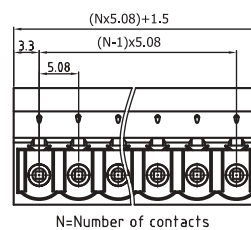
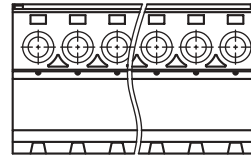
- Box

xx = 02 to 24pin

Order Code	Pins	AWG	Approval Certification
691 314 520 1 xx	2 to 24	See Mechanical characteristics	 

NEW

## Serie 3485 - 5.08mm Reversed Gender Vertical cable Entry Plug - 3.0mm<sup>2</sup> Wires WR-TBL



### MATERIAL

- Insulator material: PA 66
- Flammability rating: UL94-V0
- Colour: Green
- Metal housing: Brass (CuZn)
- Terminal screw: Steel Zinc plating "-" slot type
- Wire guard: PhBz Tin plated

### ENVIRONMENTAL

- Operating temperature: -40 °C up to 105 °C
- Compliance: Lead free & RoHS
- Safety approval: See table

### ELECTRICAL

- Current rating: 20A
- Working voltage: 300Vac
- Withstanding voltage: 1.6kV
- Contact resistance: 20 mOhm max

### MECHANICAL

- Solid wire: 22 - 12AWG / 0.30 - 3.0mm<sup>2</sup>
- Stranded wire: 22 - 12AWG / 0.30 - 3.0mm<sup>2</sup>
- Torque: 5Lb-In / 0.57Nm

- Wire strip length: 7 - 8mm
- Screw: M3
- Pitch: 5.08mm

### PACKAGING

- Box

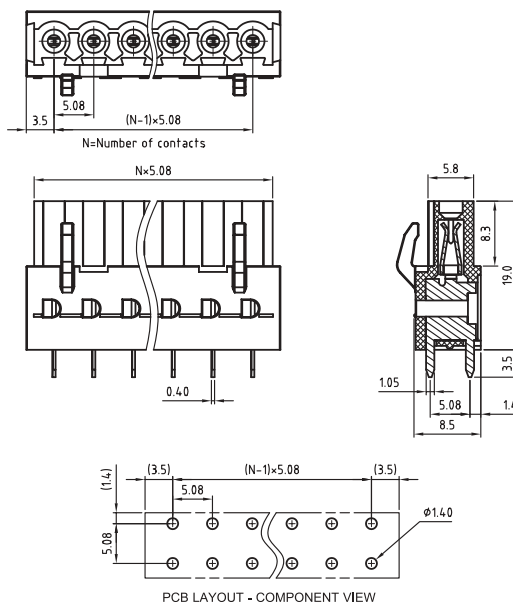
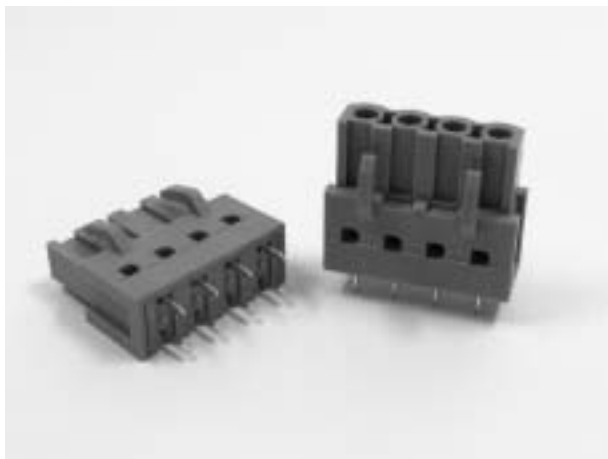
Note: Other pin number, 07 and 09 to 24, can be delivered but they are not kept in stock and are subject to MOQ

Order Code	Pins	AWG	Approval Certification
691 348 500 002	2	See Mechanical characteristics	Under Processing
691 348 500 003	3		
691 348 500 004	4		
691 348 500 005	5		
691 348 500 006	6		
691 348 500 008	8		



**NEW**

# Serie 3075 - 5.08mm Reversed Gender Vertical PCB Header WR-TBL



**MATERIAL**

- Insulator material: PA 66
- Flammability rating: UL94-V0
- Colour: Green
- Contact PIN: Brass (CuZn)
- Surface of solder tail plating: Tin

**ENVIRONMENTAL**

- Operating temperature: -40 °C up to 105 °C
- Compliance: Lead free & RoHS
- Safety approval: See table

**SOLDERING**

- Solder temperature: JEDEC lead free wave soldering

**ELECTRICAL**

- Current rating: cULus 10A
- Working voltage: 300Vac
- Withstanding voltage: 1.6kV
- Contact resistance: 20 mOhm max

**MECHANICAL**

- Pitch: 5.08mm

**PACKAGING**

- Box

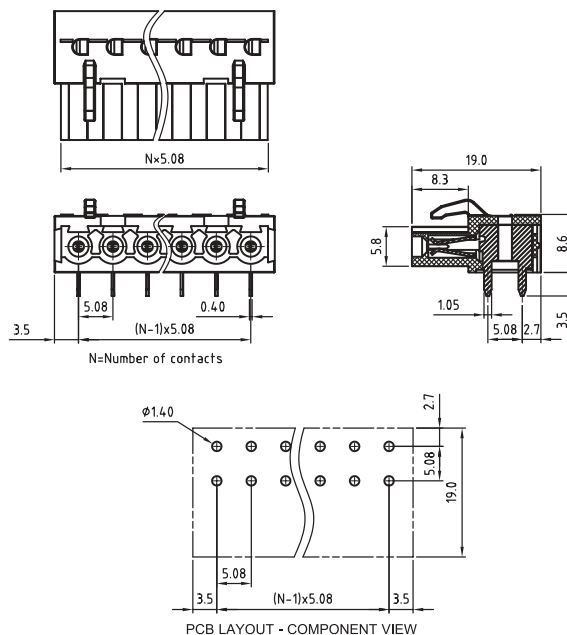
Note: Other pin number, 07 and 09 to 24, can be delivered but they are not kept in stock and are subject to MOQ

Order Code	Pins	AWG	Approval Certification
691 307 500 002	2	See Mechanical characteristics	Under Processing
691 307 500 003	3		
691 307 500 004	4		
691 307 500 005	5		
691 307 500 006	6		
691 307 500 008	8		



**NEW**

# Serie 3095 - 5.08mm Reversed Gender Horizontal PCB Header WR-TBL



**MATERIAL**

- Insulator material: PA 66
- Flammability rating: UL94-V0
- Colour: Green
- Contact PIN: Brass (CuZn)
- Surface of solder tail plating: Tin

**ENVIRONMENTAL**

- Operating temperature:  $-40\text{ °C}$  up to  $105\text{ °C}$
- Compliance: Lead free & RoHS
- Safety approval: See table

**SOLDERING**

- Solder temperature: JEDEC lead free wave soldering

**ELECTRICAL**

- Current rating: cULus 10A
- Working voltage: 300Vac
- Withstanding voltage: 1.6kV
- Contact resistance: 20 mOhm max

**MECHANICAL**

- Pitch: 5.08mm

**PACKAGING**

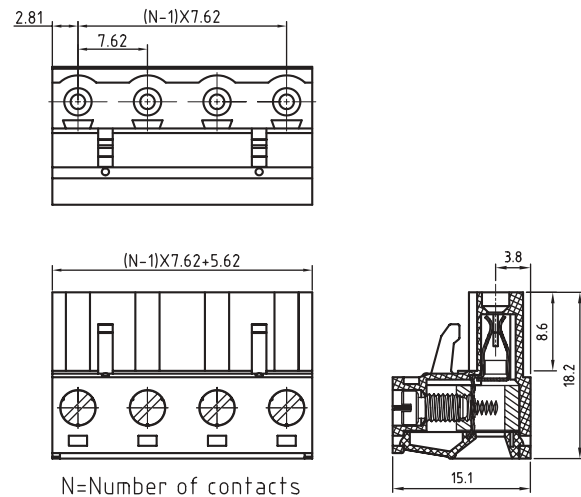
- Box

Note: Other pin number, 07 and 09 to 24, can be delivered but they are not kept in stock and are subject to MOQ

Order Code	Pins	AWG	Approval Certification
691 309 510 002	2	See Mechanical characteristics	Under Processing
691 309 510 003	3		
691 309 510 004	4		
691 309 510 005	5		
691 309 510 006	6		
691 309 510 008	8		

NEW

## Serie 3514 - 7.62mm Vertical Cable Entry Plug - 3.0mm<sup>2</sup> Wires WR-TBL



### MATERIAL

- Insulator material: PA 66
- Flammability rating: UL94-V0
- Colour: Green
- Metal housing: Brass (CuZn)
- Terminal screw: Steel Zinc plating "-" slot type
- Wire guard: PhBz Tin plated

### ENVIRONMENTAL

- Operating temperature: -40 °C up to 105 °C
- Compliance: Lead free & RoHS
- Safety approval: See table

### ELECTRICAL

- Current rating: 20A
- Working voltage: 300Vac
- Withstanding voltage: 1.6kV
- Contact resistance: 20 mOhm max

### MECHANICAL


- Solid wire: 24 - 12AWG / 0.2 -3.0mm<sup>2</sup>
- Stranded wire: 24 - 12AWG / 0.2 -3.0mm<sup>2</sup>
- Torque: 5.0Lb-In / 0.5Nm

- Wire strip length: 7 - 8mm
- Screw: M3
- Pitch: 7.62mm

### PACKAGING

- Box

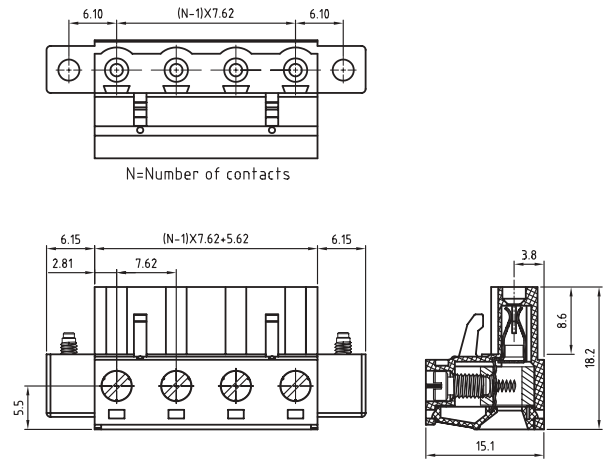
Note: Other pin number, 07 and 09 to 16, can be delivered but they are not kept in stock and are subject to MOQ

Order Code	Pins	AWG	Approval Certification
691 351 400 002	2	See Mechanical characteristics	
691 351 400 003	3		
691 351 400 004	4		
691 351 400 005	5		
691 351 400 006	6		
691 351 400 008	8		



**NEW**

# Serie 3404 - 7.62mm Vertical Cable Entry Plug with Flanges - 3.0mm<sup>2</sup> Wires WR-TBL



**MATERIAL**

- Insulator material: PA 66
- Flammability rating: UL94-V0
- Colour: Green
- Metal housing: Brass (CuZn)
- Terminal screw: Steel Zinc plating “-” slot type
- Wire guard: PhBz Tin plated
- Flange screw: Stel M2.5

**ENVIRONMENTAL**

- Operating temperature: -40 °C up to 105 °C
- Compliance: Lead free & RoHS
- Safety approval: See table

**ELECTRICAL**

- Current rating: 20A
- Working voltage: 300Vac
- Withstanding voltage: 1.6kV
- Contact resistance: 20 mOhm max

**MECHANICAL**

- Solid wire: 24 - 12AWG / 0.2 -3.0mm<sup>2</sup>
- Stranded wire: 24 - 12AWG / 0.2 -3.0mm<sup>2</sup>
- Torque: 5.0Lb-In / 0.5Nm

- Wire strip length: 7 - 8mm
- Screw: M3
- Pitch: 7.62mm

**PACKAGING**

- Box

Note: Other pin number, 07 and 09 to 16, can be delivered but they are not kept in stock and are subject to MOQ

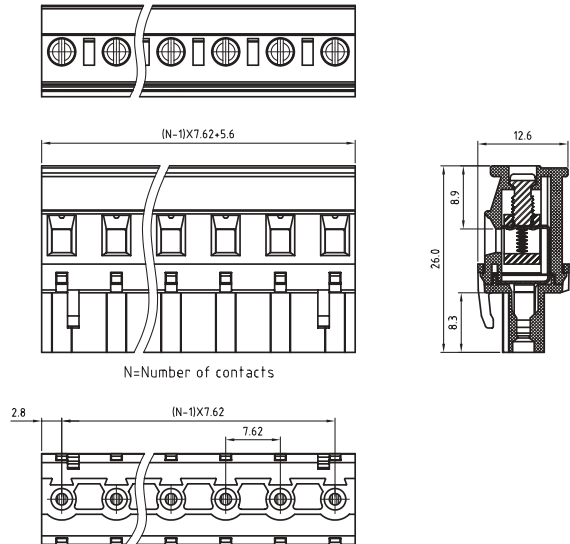
Order Code	Pins	AWG	Approval Certification
691 340 400 002	2	See Mechanical characteristics	
691 340 400 003	3		
691 340 400 004	4		
691 340 400 005	5		
691 340 400 006	6		
691 340 400 008	8		





**NEW**

# Serie 3524 - 7.62mm Horizontal Cable Entry Plug with Hook on Wire Side - 3.0mm<sup>2</sup> Wires WR-TBL



**MATERIAL**

- Insulator material: PA 66
- Flammability rating: UL94-V0
- Colour: Green
- Metal housing: Brass (CuZn)
- Terminal screw: Steel Zinc plating “-” slot type
- Wire guard: PhBz Tin plated

**ENVIRONMENTAL**

- Operating temperature: -40 °C up to 105 °C
- Compliance: Lead free & RoHS
- Safety approval: See table

**ELECTRICAL**

- Current rating: 15A
- Working voltage: 300Vac
- Withstanding voltage: 1.6kV
- Contact resistance: 20 mOhm max

**MECHANICAL**

- Solid wire: 24 - 12AWG / 0.2 -3.0mm<sup>2</sup>
- Stranded wire: 24 - 12AWG / 0.2 -3.0mm<sup>2</sup>
- Torque: 4.3Lb-In / 0.49Nm

- Wire strip length: 6 - 7mm
- Screw: M3
- Pitch: 7.62mm

**PACKAGING**

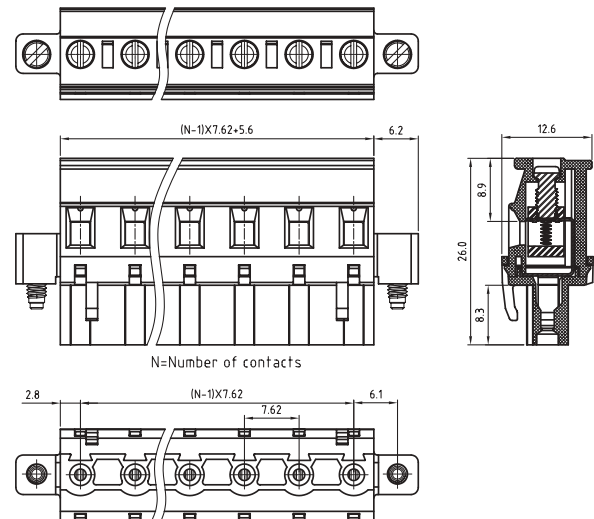
- Box

Note: Other pin number, 07 and 09 to 16, can be delivered but they are not kept in stock and are subject to MOQ

Order Code	Pins	AWG	Approval Certification
691 352 410 002	2	See Mechanical characteristics	
691 352 410 003	3		
691 352 410 004	4		
691 352 410 005	5		
691 352 410 006	6		
691 352 410 008	8		

NEW

## Serie 3434 - 7.62mm Horiz. Cable Entry Plug with Flanges & Hook on Wire Side - 3.0mm<sup>2</sup> Wires WR-TBL



### MATERIAL

- Insulator material: PA 66
- Flammability rating: UL94-V0
- Colour: Green
- Metal housing: Brass (CuZn)
- Terminal screw: Steel Zinc plating "-" slot type
- Wire guard: PhBz Tin plated
- Flange screw: Steel M2.5

### ENVIRONMENTAL

- Operating temperature: -40 °C up to 105 °C
- Compliance: Lead free & RoHS
- Safety approval: See table

### ELECTRICAL

- Current rating: 15A
- Working voltage: 300Vac
- Withstanding voltage: 1.6kV
- Contact resistance: 20 mOhm max

### MECHANICAL


- Solid wire: 24 - 12AWG / 0.2 -3.0mm<sup>2</sup>
- Stranded wire: 24 - 12AWG / 0.2 -3.0mm<sup>2</sup>
- Torque: 4.3Lb-In / 0.49Nm

- Wire strip length: 6 - 7mm
- Screw: M3
- Pitch: 7.62mm

### PACKAGING

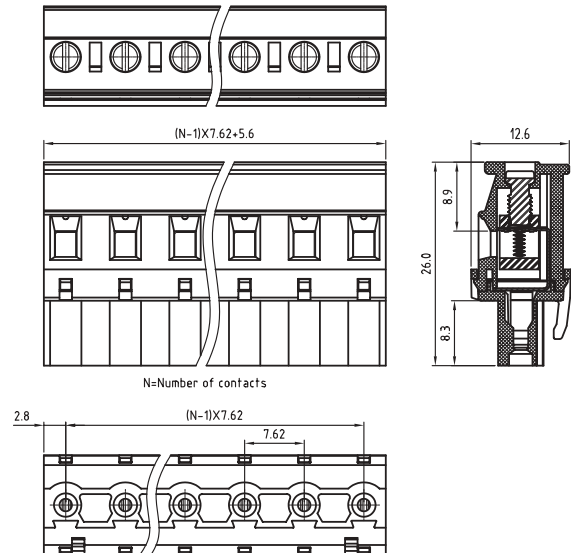
- Box

Note: Other pin number, 07 and 09 to 16, can be delivered but they are not kept in stock and are subject to MOQ

Order Code	Pins	AWG	Approval Certification
691 343 410 002	2	See Mechanical characteristics	
691 343 410 003	3		
691 343 410 004	4		
691 343 410 005	5		
691 343 410 006	6		
691 343 410 008	8		

NEW

## Serie 3444 - 7.62mm Horizontal Cable Entry Plug with Hook on Back Side - 3.0mm<sup>2</sup> Wires WR-TBL



### MATERIAL

- Insulator material: PA 66
- Flammability rating: UL94-V0
- Colour: Green
- Metal housing: Brass (CuZn)
- Terminal screw: Steel Zinc plating "-" slot type
- Wire guard: PhBz Tin plated

### ENVIRONMENTAL

- Operating temperature: -40 °C up to 105 °C
- Compliance: Lead free & RoHS
- Safety approval: See table

### ELECTRICAL

- Current rating: 15A
- Working voltage: 300Vac
- Withstanding voltage: 1.6kV
- Contact resistance: 20 mOhm max

### MECHANICAL


- Solid wire: 24 - 12AWG / 0.2 -3.0mm<sup>2</sup>
- Stranded wire: 24 - 12AWG / 0.2 -3.0mm<sup>2</sup>
- Torque: 4.3Lb-In / 0.49Nm

- Wire strip length: 6 - 7mm
- Screw: M3
- Pitch: 7.62mm

### PACKAGING

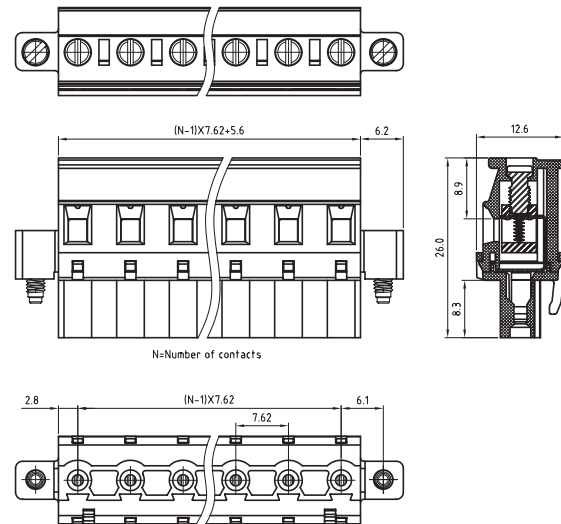
- Box

Note: Other pin number, 07 and 09 to 16, can be delivered but they are not kept in stock and are subject to MOQ

Order Code	Pins	AWG	Approval Certification
691 344 410 002	2	See Mechanical characteristics	
691 344 410 003	3		
691 344 410 004	4		
691 344 410 005	5		
691 344 410 006	6		
691 344 410 008	8		

NEW

## Serie 3454 - 7.62mm Horiz. Cable Entry Plug with Flanges & Hook on Back Side - 3.0mm<sup>2</sup> Wires WR-TBL



### MATERIAL

- Insulator material: PA 66
- Flammability rating: UL94-V0
- Colour: Green
- Metal housing: Brass (CuZn)
- Terminal screw: Steel Zinc plating "-" slot type
- Wire guard: PhBz Tin plated
- Flange screw: Steel M2.5

### ENVIRONMENTAL

- Operating temperature: -40 °C up to 105 °C
- Compliance: Lead free & RoHS
- Safety approval: See table

### ELECTRICAL

- Current rating: 15A
- Working voltage: 300Vac
- Withstanding voltage: 1.6kV
- Contact resistance: 20 mOhm max

### MECHANICAL


- Solid wire: 24 - 12AWG / 0.2 -3.0mm<sup>2</sup>
- Stranded wire: 24 - 12AWG / 0.2 -3.0mm<sup>2</sup>
- Torque: 4.3Lb-In / 0.49Nm

- Wire strip length: 6 - 7mm
- Screw: M3
- Pitch: 7.62mm

### PACKAGING

- Box

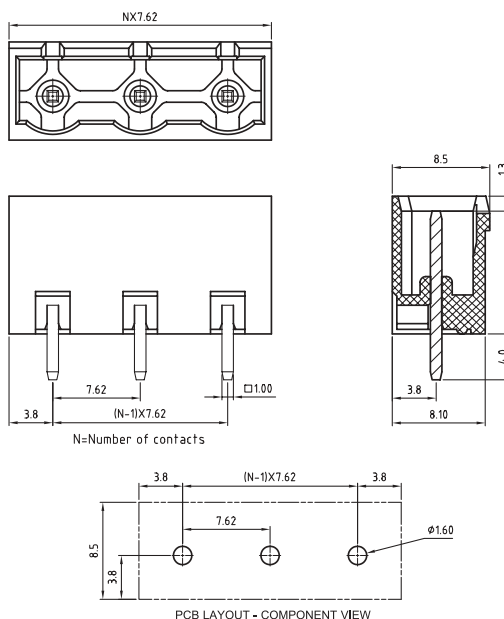
Note: Other pin number, 07 and 09 to 16, can be delivered but they are not kept in stock and are subject to MOQ

Order Code	Pins	AWG	Approval Certification
691 345 410 002	2	See Mechanical characteristics	
691 345 410 003	3		
691 345 410 004	4		
691 345 410 005	5		
691 345 410 006	6		
691 345 410 008	8		



**NEW**

# Serie 3114 - 7.62mm Close Vertical PCB Header WR-TBL



**MATERIAL**

- Insulator material: PBT
- Flammability rating: UL94-V0
- Colour: Green
- Contact PIN: Brass (CuZn)
- Surface of solder tail plating: Tin

**ENVIRONMENTAL**

- Operating temperature: -40 °C up to 105 °C
- Compliance: Lead free & RoHS
- Safety approval: See table

**SOLDERING**

- Solder temperature: JEDEC lead free wave soldering

**ELECTRICAL**

- Current rating: 20A
- Working voltage: 300Vac
- Withstanding voltage: 1.6kV
- Contact resistance: 20 mOhm max

**MECHANICAL**

- Pitch: 7.62mm

**PACKAGING**

- Box

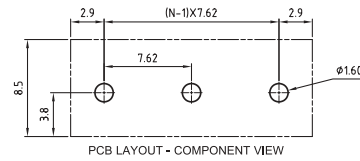
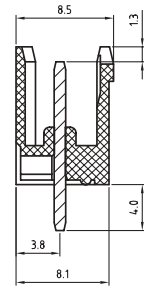
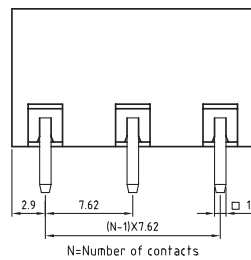
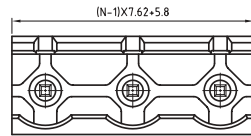
Note: Other pin number, 07 and 09 to 16, can be delivered but they are not kept in stock and are subject to MOQ

Order Code	Pins	AWG	Approval Certification
691 311 400 102	2	See Mechanical characteristics	
691 311 400 103	3		
691 311 400 104	4		
691 311 400 105	5		
691 311 400 106	6		
691 311 400 108	8		



**NEW**

# Serie 3114 - 7.62mm Open Vertical PCB Header WR-TBL



**MATERIAL**

- Insulator material: PBT
- Flammability rating: UL94-V0
- Colour: Green
- Contact PIN: Brass (CuZn)
- Surface of solder tail plating: Tin

**ENVIRONMENTAL**

- Operating temperature: -40 °C up to 105 °C
- Compliance: Lead free & RoHS
- Safety approval: See table

**SOLDERING**

- Solder temperature: JEDEC lead free wave soldering

**ELECTRICAL**

- Current rating: 20A
- Working voltage: 300Vac
- Withstanding voltage: 1.6kV
- Contact resistance: 20 mOhm max

**MECHANICAL**

- Pitch: 7.62mm

**PACKAGING**

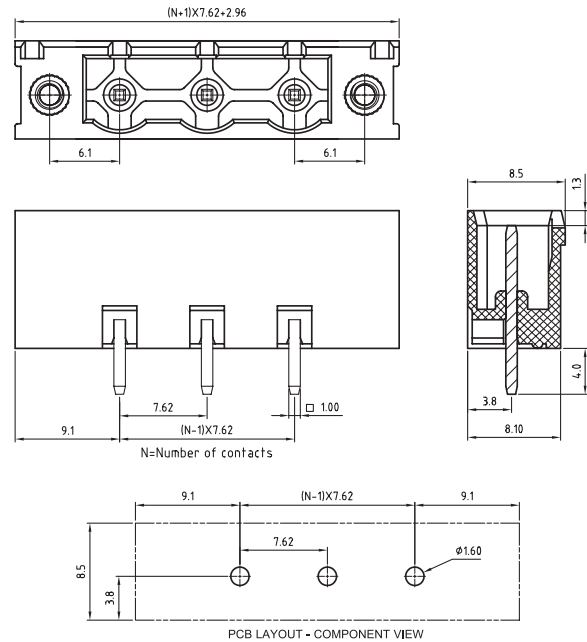
- Box

Note: Other pin number, 07 and 09 to 16, can be delivered but they are not kept in stock and are subject to MOQ

Order Code	Pins	AWG	Approval Certification
691 311 400 002	2	See Mechanical characteristics	
691 311 400 003	3		
691 311 400 004	4		
691 311 400 005	5		
691 311 400 006	6		
691 311 400 008	8		

NEW

## Serie 3184 - 7.62mm Close Vertical PCB Header with Flanges WR-TBL



### MATERIAL

- Insulator material: PBT
- Flammability rating: UL94-V0
- Colour: Green
- Contact PIN: Brass (CuZn)
- Surface of solder tail plating: Tin
- Flange screw nut: Brass M2.5

### ENVIRONMENTAL

- Operating temperature: -40 °C up to 105 °C
- Compliance: Lead free & RoHS
- Safety approval: See table

### SOLDERING

- Solder temperature: JEDEC lead free wave soldering

### ELECTRICAL

- Current rating: cULus 20A
- Working voltage: 300Vac
- Withstanding voltage: 1.6kV
- Contact resistance: 20 mOhm max


### MECHANICAL

- Pitch: 7.62mm

### PACKAGING

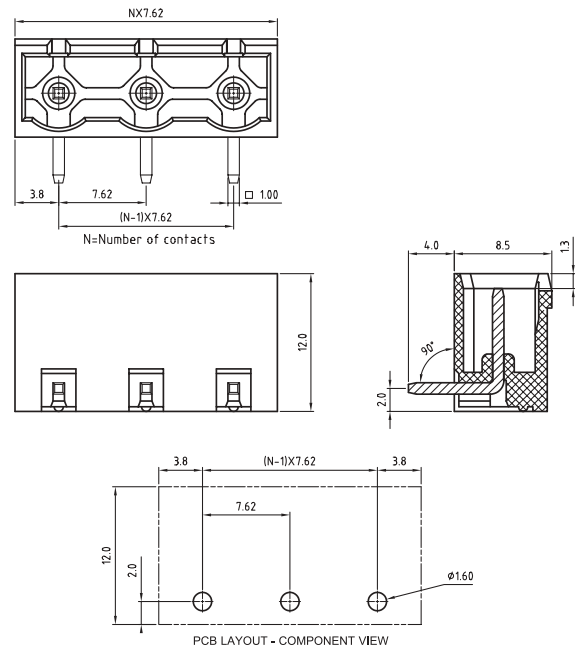
- Box

Note: Other pin number, 07 and 09 to 16, can be delivered but they are not kept in stock and are subject to MOQ

Order Code	Pins	AWG	Approval Certification
691 318 400 002	2	See Mechanical characteristics	
691 318 400 003	3		
691 318 400 004	4		
691 318 400 005	5		
691 318 400 006	6		
691 318 400 008	8		

NEW

## Serie 3134 - 7.62mm Close Horizontal PCB Header WR-TBL



### MATERIAL

- Insulator material:
- Flammability rating:
- Colour:
- Contact PIN:
- Surface of solder tail plating:

PBT  
UL94-V0  
Green  
Brass (CuZn)  
Tin

### ENVIRONMENTAL

- Operating temperature:
- Compliance:
- Safety approval:

-40 °C up to 105 °C  
Lead free & RoHS  
See table

### SOLDERING

- Solder temperature: JEDEC lead free wave soldering

### ELECTRICAL

- Current rating:
- Working voltage:
- Withstanding voltage:
- Contact resistance:

cULus  
20A  
300Vac  
1.6kV  
20 mOhm max

### MECHANICAL


- Pitch:

7.62mm

### PACKAGING

- Box

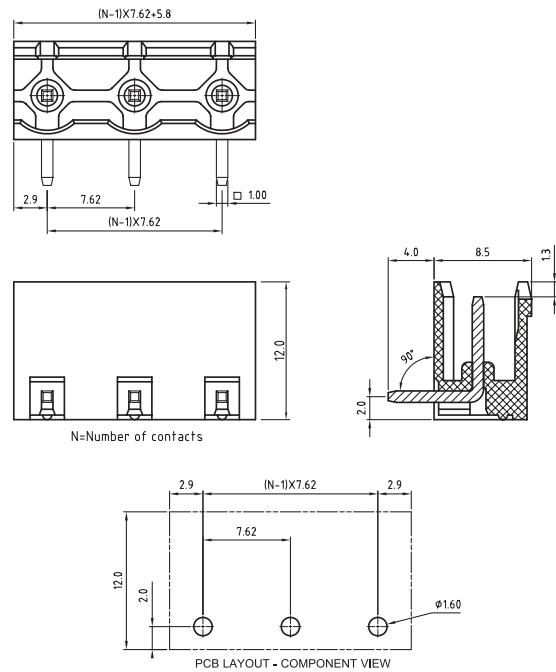
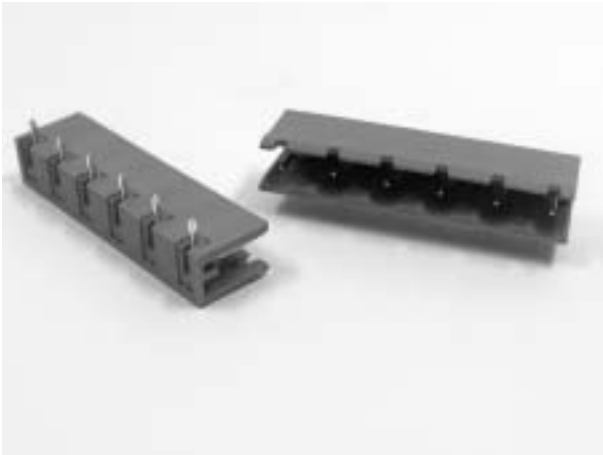
Note: Other pin number, 07 and 09 to 16, can be delivered but they are not kept in stock and are subject to MOQ

Order Code	Pins	AWG	Approval Certification
691 313 410 002	2	See Mechanical characteristics	
691 313 410 003	3		
691 313 410 004	4		
691 313 410 005	5		
691 313 410 006	6		
691 313 410 008	8		



NEW

## Serie 3124 - 7.62mm Open Horizontal PCB Header WR-TBL



### MATERIAL

- Insulator material: PBT
- Flammability rating: UL94-V0
- Colour: Green
- Contact PIN: Brass (CuZn)
- Surface of solder tail plating: Tin

### ENVIRONMENTAL

- Operating temperature: -40 °C up to 105 °C
- Compliance: Lead free & RoHS
- Safety approval: See table

### SOLDERING

- Solder temperature: JEDEC lead free wave soldering

### ELECTRICAL

- Current rating: cULus 20A
- Working voltage: 300Vac
- Withstanding voltage: 1.6kV
- Contact resistance: 20 mOhm max


### MECHANICAL

- Pitch: 7.62mm

### PACKAGING

- Box

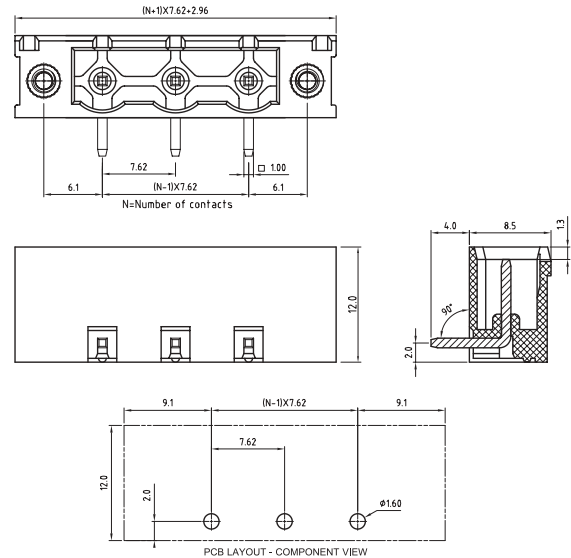
Note: Other pin number, 07 and 09 to 16, can be delivered but they are not kept in stock and are subject to MOQ

Order Code	Pins	AWG	Approval Certification
691 312 410 002	2	See Mechanical characteristics	
691 312 410 003	3		
691 312 410 004	4		
691 312 410 005	5		
691 312 410 006	6		
691 312 410 008	8		



**NEW**

# Serie 3174 - 7.62mm Close Horizontal PCB Header with Flanges WR-TBL



**MATERIAL**

- Insulator material: PBT
- Flammability rating: UL94-V0
- Colour: Green
- Contact PIN: Brass (CuZn)
- Surface of solder tail plating: Tin
- Flange screw nut: Brass M2.5

**ENVIRONMENTAL**

- Operating temperature: -40 °C up to 105 °C
- Compliance: Lead free & RoHS
- Safety approval: See table

**SOLDERING**

- Solder temperature: JEDEC lead free wave soldering

**ELECTRICAL**

- Current rating: cULus 20A
- Working voltage: 300Vac
- Withstanding voltage: 1.6kV
- Contact resistance: 20 mOhm max

**MECHANICAL**

- Pitch: 7.62mm

**PACKAGING**

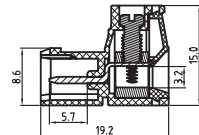
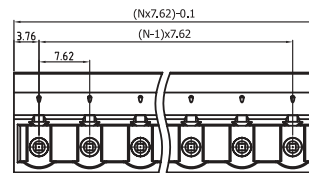
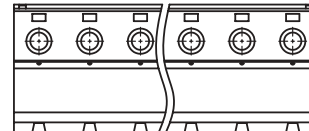
- Box

Note: Other pin number, 07 and 09 to 16, can be delivered but they are not kept in stock and are subject to MOQ

Order Code	Pins	AWG	Approval Certification
691 317 410 002	2	See Mechanical characteristics	
691 317 410 003	3		
691 317 410 004	4		
691 317 410 005	5		
691 317 410 006	6		
691 317 410 008	8		

NEW

## Serie 3484 - 7.62mm Reversed Gender Vertical Cable Entry Plug - 3.0mm<sup>2</sup> Wires WR-TBL



### MATERIAL

- Insulator material: PA 66
- Flammability rating: UL94-V0
- Colour: Green
- Metal housing: Brass (CuZn)
- Terminal screw: Steel Zinc plating "L" slot type
- Wire guard: PhBz Tin plated

### ENVIRONMENTAL

- Operating temperature: -40 °C up to 105 °C
- Compliance: Lead free & RoHS
- Safety approval: See table

### ELECTRICAL

- Current rating: 10A
- Working voltage: 300Vac
- Withstanding voltage: 1.6kV
- Contact resistance: 20 mOhm max

### MECHANICAL

- Solid wire: 24 - 12AWG / 0.2 - 3.0mm<sup>2</sup>
- Stranded wire: 24 - 12AWG / 0.2 - 3.0mm<sup>2</sup>
- Torque: 5.0Lb-In / 0.5Nm

- Wire strip length: 7 - 8mm
- Screw: M3
- Pitch: 7.62mm

### PACKAGING

- Box

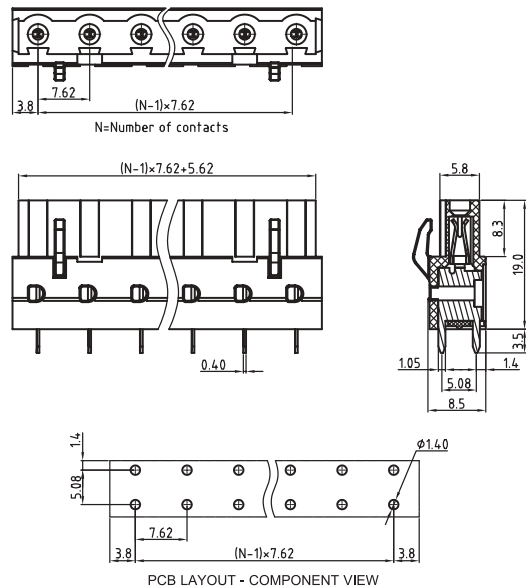
Note: Other pin number, 07 and 09 to 16, can be delivered but they are not kept in stock and are subject to MOQ

Order Code	Pins	AWG	Approval Certification
691 348 400 002	2	See Mechanical characteristics	Under Processing
691 348 400 003	3		
691 348 400 004	4		
691 348 400 005	5		
691 348 400 006	6		
691 348 400 008	8		



**NEW**

# Serie 3074 - 7.62mm Reversed Gender Vertical PCB Header WR-TBL



**MATERIAL**

- Insulator material: PA 66
- Flammability rating: UL94-V0
- Colour: Green
- Contact PIN: Brass (CuZn)
- Surface of solder tail plating: Tin

**ENVIRONMENTAL**

- Operating temperature: -40 °C up to 105 °C
- Compliance: Lead free & RoHS
- Safety approval: See table

**SOLDERING**

- Solder temperature: JEDEC lead free wave soldering

**ELECTRICAL**

- Current rating: 10A
- Working voltage: 300Vac
- Withstanding voltage: 1.6kV
- Contact resistance: 20 mOhm max

- Pitch: 7.62mm

**PACKAGING**

- Box

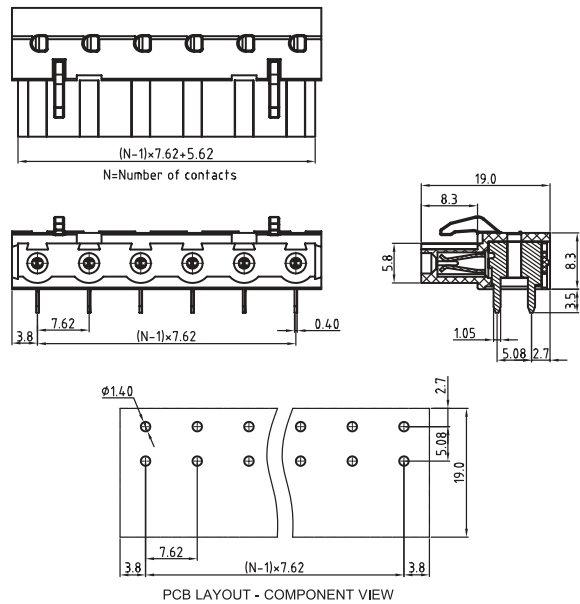
Note: Other pin number, 07 and 09 to 16, can be delivered but they are not kept in stock and are subject to MOQ

Order Code	Pins	AWG	Approval Certification
691 307 400 002	2	See Mechanical characteristics	Under Processing
691 307 400 003	3		
691 307 400 004	4		
691 307 400 005	5		
691 307 400 006	6		
691 307 400 008	8		



**NEW**

# Serie 3094 - 7.62mm Reversed Gender Horizontal PCB Header WR-TBL



**MATERIAL**

- Insulator material: PA 66
- Flammability rating: UL94-V0
- Colour: Green
- Contact PIN: Brass (CuZn)
- Surface of solder tail plating: Tin

**ENVIRONMENTAL**

- Operating temperature:  $-40\text{ °C}$  up to  $105\text{ °C}$
- Compliance: Lead free & RoHS
- Safety approval: See table

**SOLDERING**

- Solder temperature: JEDEC lead free wave soldering

**ELECTRICAL**

- Current rating: cULus 10A
- Working voltage: 300Vac
- Withstanding voltage: 1.6kV
- Contact resistance: 20 mOhm max

**MECHANICAL**

- Pitch: 7.62mm

**PACKAGING**

- Box

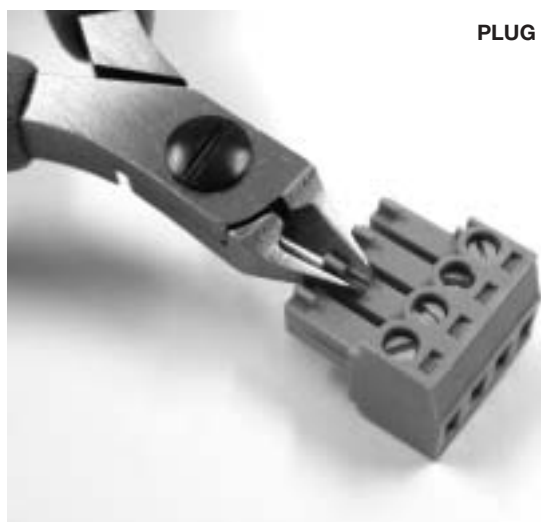
Note: Other pin number, 07 and 09 to 16, can be delivered but they are not kept in stock and are subject to MOQ

Order Code	Pins	AWG	Approval Certification
691 309 410 002	2	See Mechanical characteristics	Under Processing
691 309 410 003	3		
691 309 410 004	4		
691 309 410 005	5		
691 309 410 006	6		
691 309 410 008	8		

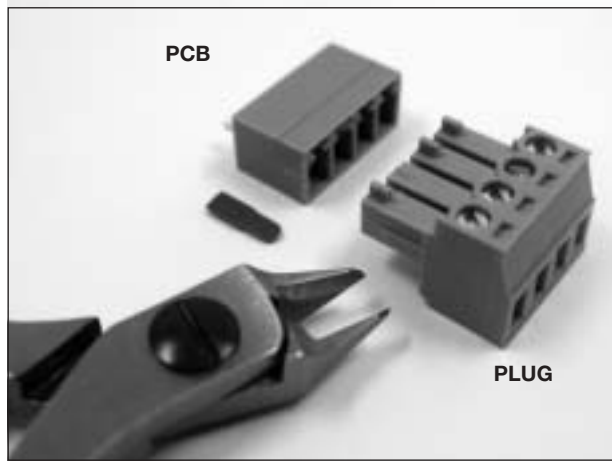
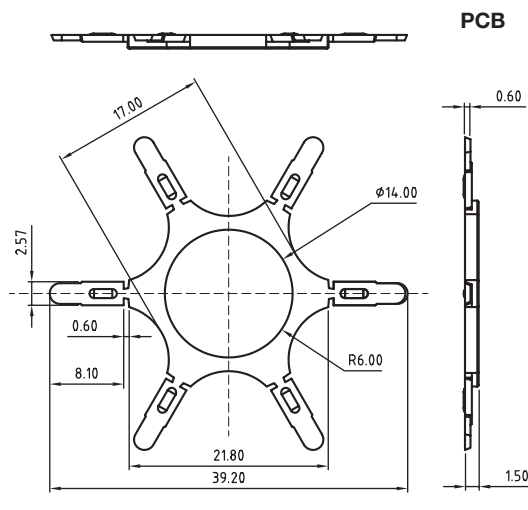


**NEW**

# Coding Key For 3.5 and 3.81mm Pitch Series WR-TBL

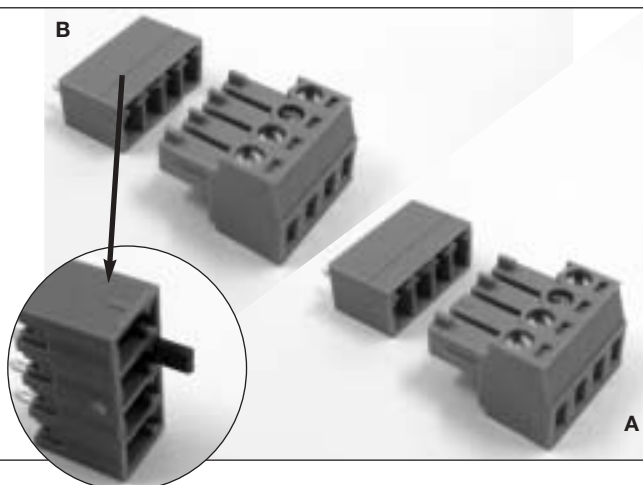


PLUG



PCB

PLUG



B

A



**MATERIAL**

- Insulator material: PA 66
- Flammability rating: UL94-V0
- Colour: Red

**MECHANICAL**

- Applicable pitch: 3.50/3.81mm

**ENVIRONMENTAL**

- Operating temperature: -40°C up to 105°C
- Compliance: Lead free & RoHS

**PACKAGING**

- Box

By using a coding key you avoid any risk of mis-plugging

For this you must add/break one part of the **691 399 900 003** in the PCB connector.

To cut the plug's nose on the corresponding pin n° makes the connection possible (see photo A)

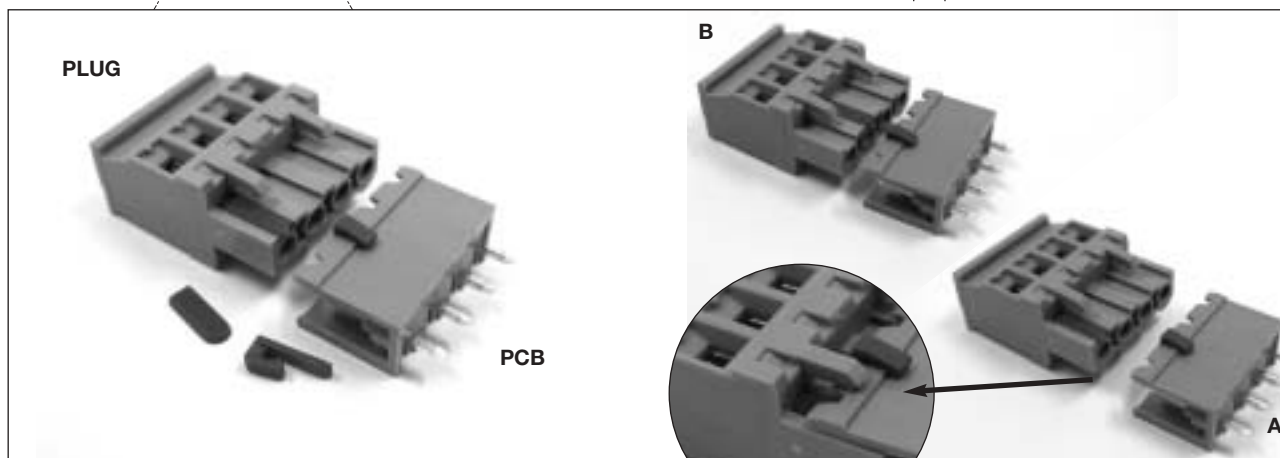
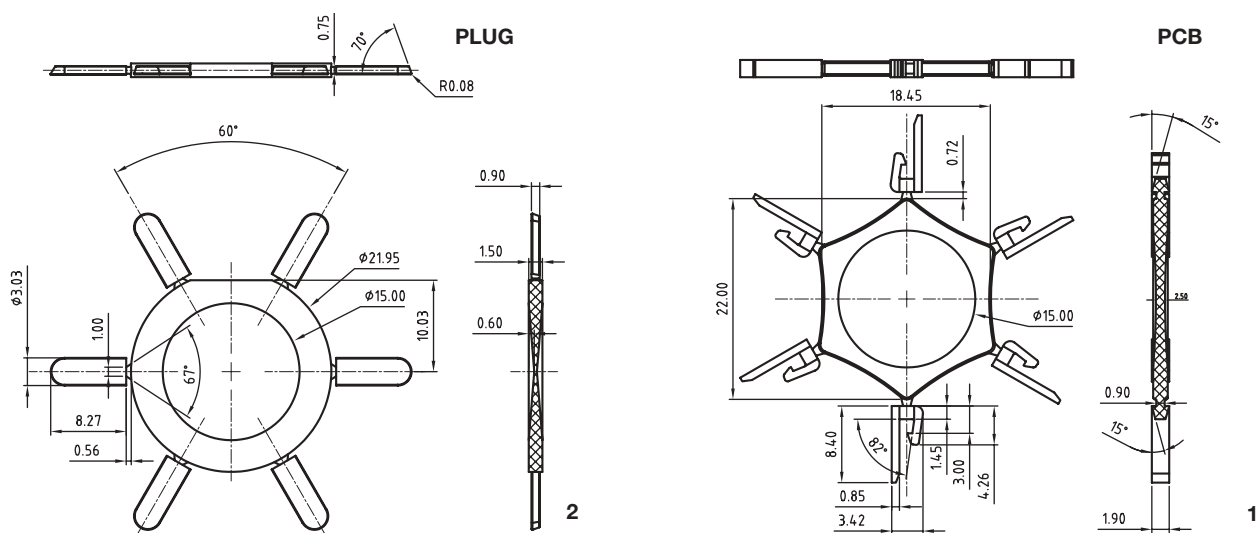
Without cutting the plug's nose on the corresponding pin n° the connection becomes impossible (see photo B)

Order Code	Figure	To be used with following TBL
691 399 900 003	1	691 3xx 1...(3,5mm pitch) / 691 3xx 3... (3,81mm pitch) on the PCB side
600 691 000 001	2	Cutting plier



**NEW**

# Coding Key For 5.0 / 5.08 and 7.62mm Pitch Series WR-TBL



**MATERIAL**

- Insulator material: PA 66
- Flammability rating: UL94-V0
- Colour: Red

**MECHANICAL**

- Pitch: 5.0/5.08/7.62mm

**ENVIRONMENTAL**

- Operating temperature: -40°C up to 105°C
- Compliance: Lead free & RoHS

**PACKAGING**

- Box

By using a coding key you avoid any risk of mis-plugging

For this you must add/break one part of the:

- 691 399 900 002 in the PCB connector
- 691 399 900 001 in the plug

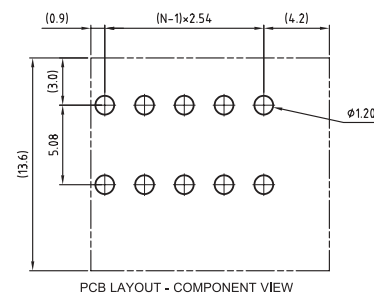
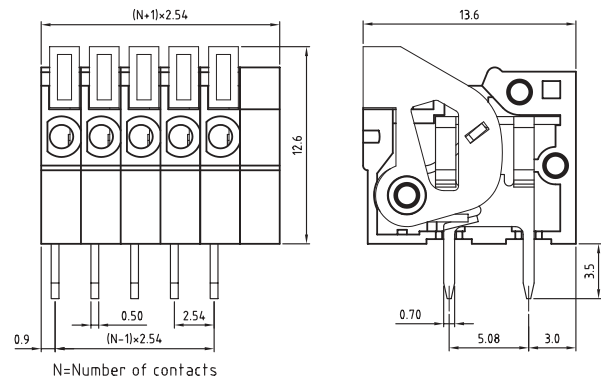
If keys are on different pin n° (on the plug and PCB connector) mating remains possible (see photo A)

If keys are on the same pin ° (on the plug and PCB connector) mating becomes not possible anymore (see photo B)

Order Code	Figure	To be used
691 399 900 002	1	691 3xx 7... (5,0mm pitch) / 691 3xx 5... (5,08mm pitch) / 691 3xx 4... (7,62mm pitch) on the PCB side
691 399 900 001	2	691 3xx 7... (5,0mm pitch) / 691 3xx 5... (5,08mm pitch) / 691 3xx 4... (7,62mm pitch) on the plug

NEW

## Serie 4029 - 2.54mm Screwless Horizontal Entry - 0.5mm<sup>2</sup> Wires WR-TBL



### MATERIAL

- Insulator material: PBT
- Flammability rating: UL94-V0
- Colour: Green/Orange
- Wire guard: Stainless steel
- Contact pin: Brass
- Surface of solder tail plating: Tin

### ENVIRONMENTAL

- Operating temperature: -40 °C up to 105 °C
- Compliance: Lead free & RoHS
- Safety approval: See table

### SOLDERING

- Solder temperature: JEDEC lead free wave soldering

### ELECTRICAL

- Current rating: 2A
- Working voltage: 150Vac
- Withstanding voltage: 1.3kV
- Contact resistance: 20 mOhm max


### MECHANICAL

- Solid wire: 26 - 20AWG / 0.13 - 0.52mm<sup>2</sup>
- Stranded wire: 26 - 20AWG / 0.13 - 0.52mm<sup>2</sup>
- Wire strip length: 9 - 10mm
- Pitch: 2.54mm

### PACKAGING

- Box

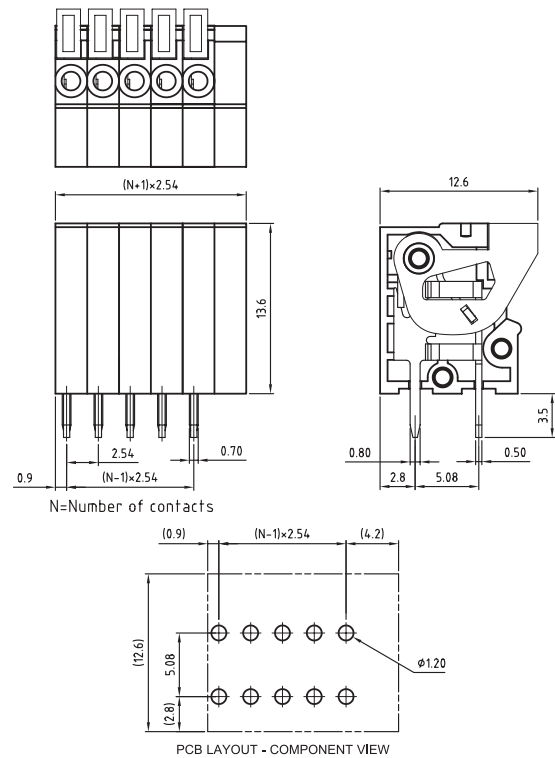
Note: Other pin number, 07 and 09 to 24, can be delivered but they are not kept in stock and are subject to MOQ

Order Code	Pins	AWG	Approval Certification
691 402 910 002	2	See Mechanical characteristics	
691 402 910 003	3		
691 402 910 004	4		
691 402 910 005	5		
691 402 910 006	6		
691 402 910 008	8		



NEW

## Serie 4039 - 2.54mm Screwless Vertical Entry - 0.5mm<sup>2</sup> Wires WR-TBL



### MATERIAL

- Insulator material: PBT
- Flammability rating: UL94-V0
- Colour: Green/Orange
- Wire guard: Stainless steel
- Metal housing: Brass
- Surface of solder tail plating: Tin

### ENVIRONMENTAL

- Operating temperature: -40 °C up to 105 °C
- Compliance: Lead free & RoHS
- Safety approval: See table

### SOLDERING

- Solder temperature: JEDEC lead free wave soldering

### ELECTRICAL

- Current rating: cULus 2A
- Working voltage: 150Vac
- Withstanding voltage: 1.3kV
- Contact resistance: 20 mOhm max

### MECHANICAL


- Solid wire: 26 - 20AWG / 0.13 - 0.52mm<sup>2</sup>
- Stranded wire: 26 - 20AWG / 0.13 - 0.52mm<sup>2</sup>

- Wire strip length: 9 - 10mm
- Pitch: 2.54mm

### PACKAGING

- Box

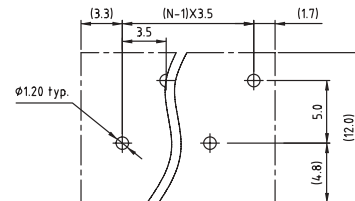
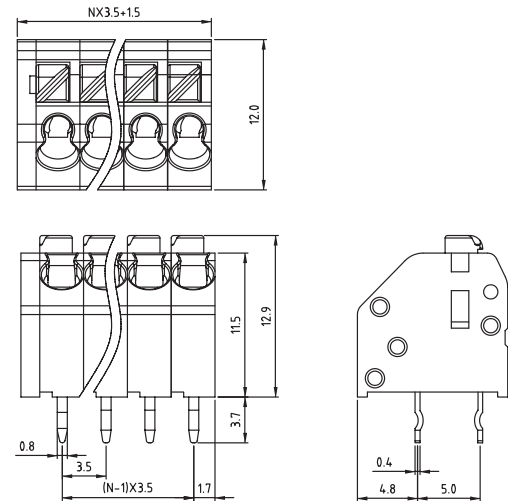
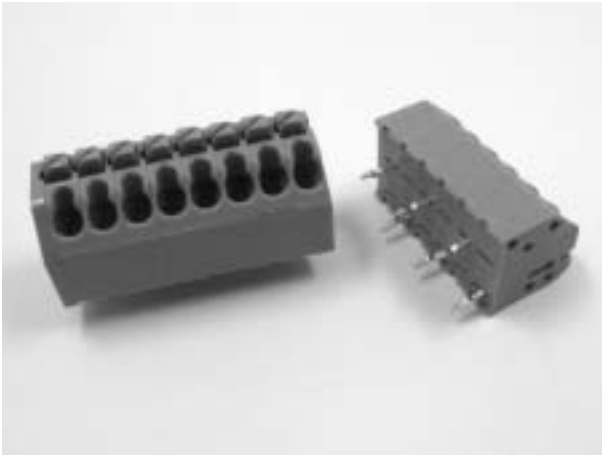
Note: Other pin number, 07 and 09 to 24, can be delivered but they are not kept in stock and are subject to MOQ

Order Code	Pins	AWG	Approval Certification
691 403 900 002	2	See Mechanical characteristics	
691 403 900 003	3		
691 403 900 004	4		
691 403 900 005	5		
691 403 900 006	6		
691 403 900 008	8		



EXTENDED  
RANGE

## Serie 412 - 3.5mm Screwless 45° Entry Grey - 1.5mm<sup>2</sup> Wires WR-TBL



PCB LAYOUT - COMPONENT VIEW



### MATERIAL

- Insulator material: PA 66
- Flammability rating: UL94-V0
- Colour: Grey
- Metal housing: PhBz
- Surface of solder tail plating: Tin

### ENVIRONMENTAL

- Operating temperature: -40 °C up to 105 °C
- Compliance: Lead free & RoHS
- Safety approval: See table

### SOLDERING

- Solder temperature: JEDEC lead free wave soldering

### ELECTRICAL

- Current rating: 6A
- Working voltage: 300Vac
- Withstanding voltage: 1.6kV
- Contact resistance: 20 mOhm max

cULus

VDE

### MECHANICAL

- Solid wire: 20 - 16AWG / 0.5 - 1.50mm<sup>2</sup>
- Stranded wire: 20 - 16AWG / 0.5 - 1.50mm<sup>2</sup>

- Wire strip length: 6 - 7mm
- Pitch: 3.5mm

### PACKAGING

- Box

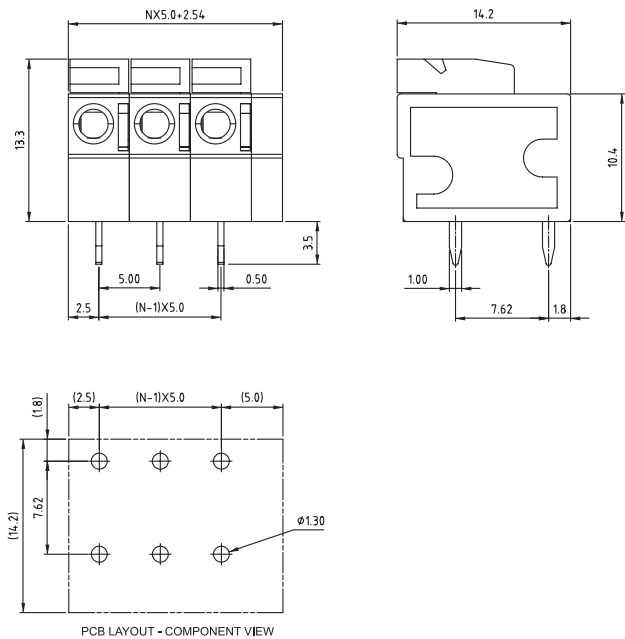
xx = 02 to 24pin

Order Code	Pins	AWG	Approval Certification
691 412 120 0 xx	2 to 24	See Mechanical characteristics	cULus VDE



EXTENDED  
RANGE

## Serie 401 - 5.00mm Screwless Horizontal Entry - 2.0mm<sup>2</sup> Wires WR-TBL



### MATERIAL

- Insulator material: PBT
- Flammability rating: UL94-V0
- Colour: Green/Orange
- Metal housing: Brass (CuZn)
- Wire guard: Stainless steel
- Surface of solder tail plating: Tin

### ENVIRONMENTAL

- Operating temperature: -40 °C up to 105 °C
- Compliance: Lead free & RoHS
- Safety approval: See table

### SOLDERING

- Solder temperature: JEDEC lead free wave soldering

### ELECTRICAL

- Current rating: 10A
- Working voltage: 300Vac
- Withstanding voltage: 1.6kV
- Contact resistance: 20 mOhm max

cULus

VDE

10A

10A

300Vac

250Vac

1.6kV

2.0kV

20 mOhm max

### MECHANICAL

- Solid wire: 24 - 14AWG / 0.20 - 2.0mm<sup>2</sup>
- Stranded wire: 24 - 14AWG / 0.20 - 2.0mm<sup>2</sup>

- Wire strip length: 6 - 7mm
- Pitch: 5.0mm

### PACKAGING

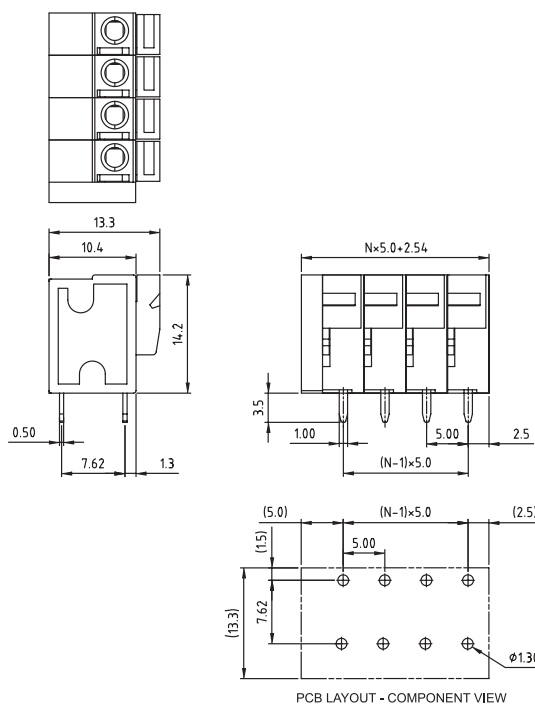
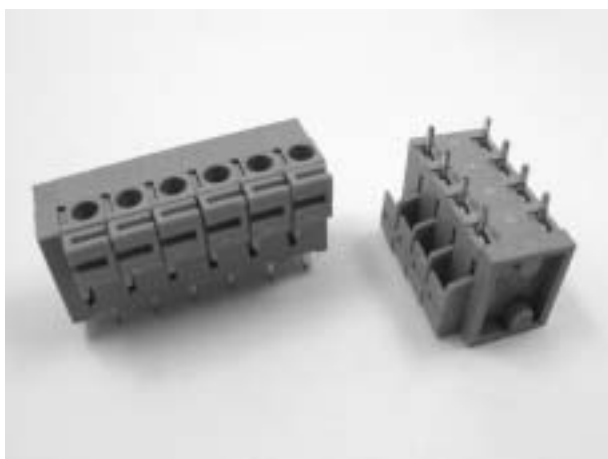
- Box

xx = 02 to 24pin

Order Code	Pins	AWG	Approval Certification
691 401 710 0 xx	2 to 24	See Mechanical characteristics	

EXTENDED  
RANGE

## Serie 401 - 5.00mm Screwless Vertical Entry - 2.0mm<sup>2</sup> Wires WR-TBL



### MATERIAL

- Insulator material: PBT
- Flammability rating: UL94-V0
- Colour: Green/Orange
- Metal housing: Brass (CuZn)
- Wire guard: Stainless steel
- Surface of solder tail plating: Tin

### ENVIRONMENTAL

- Operating temperature: -40 °C up to 105 °C
- Compliance: Lead free & RoHS
- Safety approval: See table

### SOLDERING

- Solder temperature: JEDEC lead free wave soldering

### ELECTRICAL

- Current rating: cULus 10A, VDE 10A
- Working voltage: 300Vac, 250Vac
- Withstanding voltage: 1.6kV, 2.0kV
- Contact resistance: 20 mOhm max

### MECHANICAL



- Solid wire: 24 - 14 / 0.20 - 2.0mm<sup>2</sup>
- Stranded wire: 24 - 14 / 0.20 - 2.0mm<sup>2</sup>

- Wire strip length: 6 - 7mm
- Pitch: 5.0mm

### PACKAGING

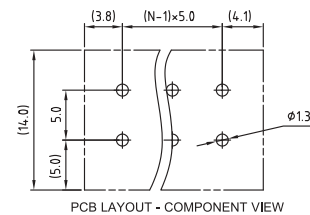
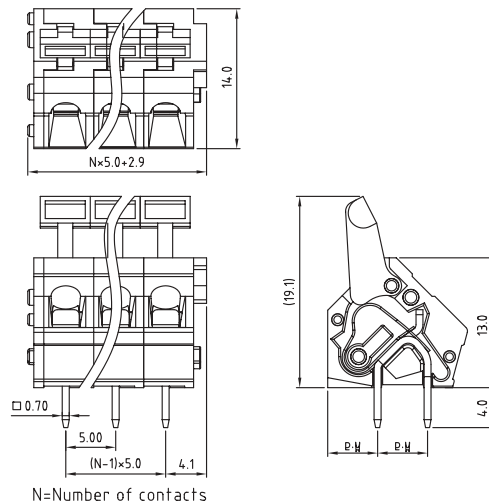
- Box

xx = 02 to 24pin

Order Code	Pins	AWG	Approval Certification
691 401 700 0 xx	2 to 24	See Mechanical characteristics	 

NEW

## Serie 4147 - 5.00mm Screwless 45° Entry - 3.0mm<sup>2</sup> Wires WR-TBL



### MATERIAL

- Insulator material: PA 66
- Flammability rating: UL94-V0
- Colour: Grey/White
- Wire guard: Stainless steel
- Metal housing: Brass
- Surface of solder tail plating: Tin

### ENVIRONMENTAL

- Operating temperature: -40 °C up to 105 °C
- Compliance: Lead free & RoHS
- Safety approval: See table

### SOLDERING

- Solder temperature: JEDEC lead free wave soldering

### ELECTRICAL

- Current rating: 15A
- Working voltage: 300Vac
- Withstanding voltage: 1.3kV
- Contact resistance: 20 mOhm max

### MECHANICAL

- Solid wire: 28 - 12AWG / 0.08 - 3.0mm<sup>2</sup>
- Stranded wire: 28 - 12AWG / 0.08 - 3.0mm<sup>2</sup>
- Wire strip length: 6 - 7mm
- Pitch: 5.00mm

### PACKAGING

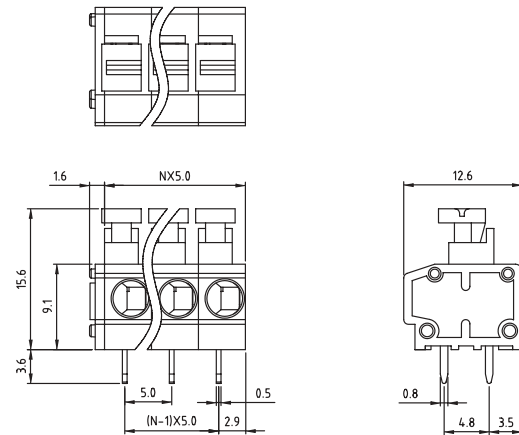
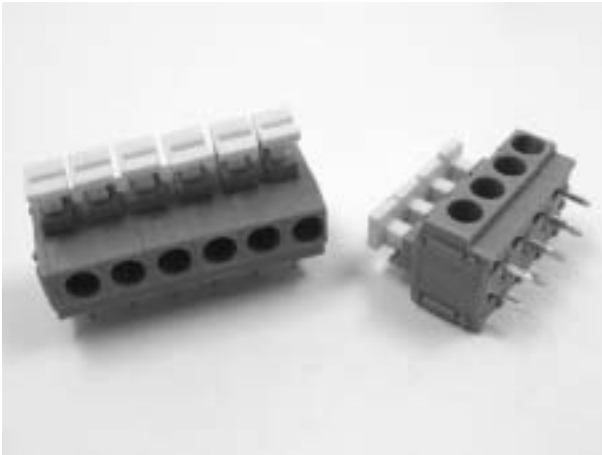
- Box

Note: Other pin number, 07 and 09 to 24, can be delivered but they are not kept in stock and are subject to MOQ

Order Code	Pins	AWG	Approval Certification
691 414 720 002	2	See Mechanical characteristics	Under Processing
691 414 720 003	3		
691 414 720 004	4		
691 414 720 005	5		
691 414 720 006	6		
691 414 720 008	8		

EXTENDED  
RANGE

## Serie 411 - 5.00mm Screwless Horizontal Entry - 2.0mm<sup>2</sup> Wires WR-TBL



PCB LAYOUT - COMPONENT VIEW



### MATERIAL

- Insulator material: PA 66
- Flammability rating: UL94-V0
- Colour: Grey/White
- Metal housing: Brass (CuZn)
- Wire guard: Stainless steel
- Surface of solder tail plating: Tin

### ENVIRONMENTAL

- Operating temperature: -40 °C up to 105 °C
- Compliance: Lead free & RoHS
- Safety approval: See table

### SOLDERING

- Solder temperature: JEDEC lead free wave soldering

### ELECTRICAL

- Current rating: 10A
- Working voltage: 300Vac
- Withstanding voltage: 1.6kV
- Contact resistance: 20 mOhm max

cULus

VDE

### MECHANICAL



- Solid wire: 14 - 20AWG / 0.5 - 2.0mm<sup>2</sup>
- Stranded wire: 14 - 20AWG / 0.5 - 2.0mm<sup>2</sup>

- Wire strip length: 6 - 7mm
- Pitch: 5.0mm

### PACKAGING

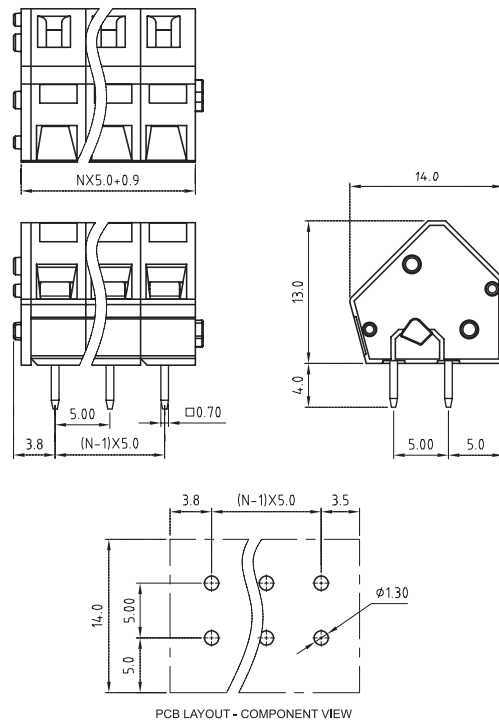
- Box

xx = 02 to 24pin

Order Code	Pins	AWG	Approval Certification
691 411 710 0 xx	2 to 24	See Mechanical characteristics	 

NEW

## Serie 4137- 5.00mm Screwless 45° Entry - 3.0mm<sup>2</sup> Wires WR-TBL



### MATERIAL

- Insulator material: PA 66
- Flammability rating: UL94-V0
- Colour: Grey
- Wire guard: Stainless steel
- Metal housing: Brass
- Surface of solder tail plating: Tin

### ENVIRONMENTAL

- Operating temperature: -40 °C up to 105 °C
- Compliance: Lead free & RoHS
- Safety approval: See table

### SOLDERING

- Solder temperature: JEDEC lead free wave soldering

### ELECTRICAL

- Current rating: 15A
- Working voltage: 300Vac
- Withstanding voltage: 1.6kV
- Contact resistance: 20 mOhm max

### MECHANICAL

- Solid wire: 28 - 12AWG / 0.08 - 3.0mm<sup>2</sup>
- Stranded wire: 28 - 12AWG / 0.08 - 3.0mm<sup>2</sup>
- Wire strip length: 6 - 7mm
- Pitch: 5.00mm

### PACKAGING

- Box

xx = 02 to 24pin

Order Code	Pins	AWG	Approval Certification
691 413 720 0 xx	2 to 24	See Mechanical characteristics	Under Processing

NEW

## Design Kit WR-TBL



### Order Code 691 001

Design Kit WR-TBL

All the parts of the assortment are detailed below

P/N in the Kit	Pins	Pitch	Description
691 101 710 0xx	2 & 3	5.0mm	Horizontal Entry With Pressure Clamp - 2.5mm <sup>2</sup> Wires
691 102 710 0xx	2 & 3	5.0mm	Horizontal Entry With Pressure Clamp - 1.5mm <sup>2</sup> Wires
691 111 710 0xx	2 & 3	5.0mm	Horizontal Entry With Pressure Clamp - 2.5mm <sup>2</sup> Wires
691 121 710 0xx	4 & 6	5.0mm	Horizontal Entry With Pressure Clamp - 4.0mm <sup>2</sup> Wires
691 201 720 0xx	2 & 3	5.0mm	45° Entry With Rising Cage Clamp - 2.5mm <sup>2</sup> Wires
691 211 720 0xx	2 & 3	5.0mm	45° Entry With Rising Cage Clamp 15.5mm Height - 2.5mm <sup>2</sup> Wires
691 212 710 0xx	2 & 3	5.0mm	45° Entry With Rising Cage Clamp 14.3mm Height - 2.5mm <sup>2</sup> Wires
691 213 710 0xx	2 & 3	5.0mm	Horizontal Entry With Rising Cage Clamp 10.0mm Height - 1.5mm <sup>2</sup> Wires
691 301 710 0xx	2 & 3	5.0mm	Plug Horizontal Entry With Pressure Clamp - 1.5mm <sup>2</sup> Wires
691 300 700 024	24	5.0mm	Pin Header
691 351 500 0xx	2-3-4-5-6-8	5.08mm	Plug Vertical Cable Entry With Screw - 2.5mm <sup>2</sup> Wires
691 353 500 0xx	2-3-4-5-6-8	5.08mm	Plug Vertical Cable Entry With Screwless - 2.5mm <sup>2</sup> Wires
691 352 510 0xx	2-3-4-5-6-8	5.08mm	Plug Horizontal Front Cable Entry With Screw - 2.5mm <sup>2</sup> Wires
691 311 500 0xx	2-3-4-5-6-8	5.08mm	PCB Header Vertical Opened Ends
691 312 510 0xx	2-3-4-5-6-8	5.08mm	PCB Header Horizontal Opened Ends
691 313 510 0xx	2-3-4-5-6-8	5.08mm	PCB Header Horizontal Closed Ends
691 361 300 0xx	2-3-4-5-6-8	3.81mm	Plug Vertical Cable Entry With Screw - 1.5mm <sup>2</sup> Wires
691 321 300 0xx	2-3-4-5-6-8	3.81mm	PCB Header Vertical Closed Ends
691 322 310 0xx	2-3-4-5-6-8	3.81mm	PCB Header Horizontal Closed Ends
691 401 710 0xx	4-6-8	5.00mm	Spring Clamp Screwless Horizontal Entry - 1.5mm <sup>2</sup> Wires
691 401 700 0xx	4-6-8	5.00mm	Spring Clamp Screwless Vertical Entry - 1.5mm <sup>2</sup> Wires
691 411 710 0xx	4-6-8	5.00mm	Spring Clamp Screwless Horizontal Entry - 2.0mm <sup>2</sup> Wires
691 412 120 0xx	4-6-8	5.00mm	Spring Clamp Screwless 45° Entry - 0.75mm <sup>2</sup> Wires