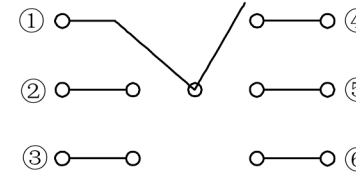
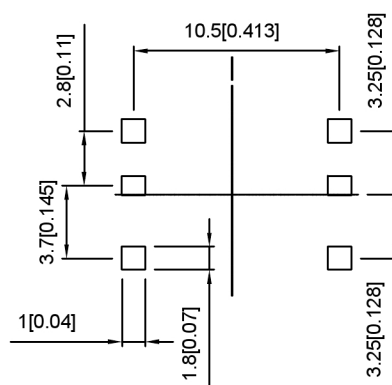
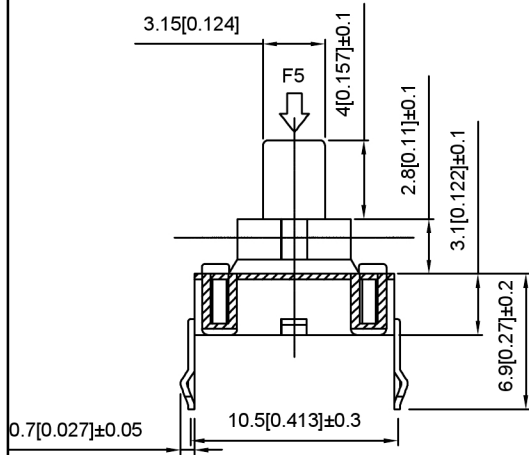


Technical parameter	
Rated load:	0.1A DC12V
Insulation resistance:	100MΩmin(DC100V)
Compressive strength:	AC100V(50/60Hz foy 1 minute)
life:	50,000 cycles
Operating temperature:	-10° c +60 ° c
Operating strength:	4-150±50gf
	1-250±50gf



	1	2	3	4	5	6
F1	o			o		
F2	o	o				
F3	o				o	
F4	o				o	
F5	o	o				

⑦		—				
⑥	Contact	—	5	F.ag/Brass	Plating silver	—
⑤	Terminal	—	6	Brass(0.15t)	Plating silver	—
④	Base	—	1	Lcp		—
③	Cover	—	1	Sus		—
②	Axle sleeve	—	1	Lcp		—
①	Knob	—	1	PA66		—
ITEM	PAPT NAMF	TER,NO	QTY	MATERIAL	FINISHING	REMARK

广东星坤科技股份有限公司

MARK	DESCRIPTION	DATE	REVISED	APPROVED
Δx				
Δx				
Δx				

文件工程章

REVISIONS	DATE	REVISED	APPROVED	UNSPECIFIED TOLERANCES

DSND		SCALE: N/A	MODEL TYPE: MULTI-FUNCTIONAL SWITC
DWN		VIEW:	PART NO.: TM-2028
CHKD		UNIT: mm/in	DWG NO.:
APPD		SIZE: A4	
XKB INDUSTRIAL PRECISION CO., LIMITED			WEIGHT
			SHEET
			REVISIC
			1/1
			A0

