

Gear Tooth Speed Sensors



GS101201 – GS101202 Sensors

Flange mount gear tooth speed sensor

Description

The GS101201-GS101202 series gear tooth speed sensors are Hall Effect devices designed for use in applications where ferrous edge detection/near zero speed sensing is needed. They provide a sinking output current.

Features

- From near zero speed up to 15 kHz sensing capability
- Plastic flange-mount housing
- Compatible with unregulated power supply
- RoHS compliant
- IP67
- Typical air gap of 1.5 mm*

Typical Applications

- Speedometers
- Anti-lock braking systems
- Exercise equipment
- CNC machine tools

Environmental Specifications

| | |
|-----------------------------|--|
| Vibration | Sinusoidal, 15 g max from 40 Hz to 2 kHz |
| Mechanical Shock Resistance | 50 g |
| Maximum Speed Detection | 15 kHz |
| Operating Temperature | -40 °C to 125 °C (-40 °F to 257 °F) |
| Storage Temperature | -40 °C to 125 °C (-40 °F to 257 °F) |
| Ingress Protection | IP67 |

Electrical Specifications

| | |
|------------------------------|---------------------|
| Operating Supply Voltage | 5 to 24 VDC |
| Maximum Input Voltage | 30 VDC |
| Maximum Reverse Voltage | 24 VDC |
| Supply Current | 3 mA typ., 6 mA max |
| Output Sink Current | 20 mA max |
| Recommended Pull-Up Resistor | See chart |

Mechanical Specifications

| | |
|---|--------------------------------------|
| Housing Material | Glass Reinforced Thermoplastic |
| Maximum Installation Torque Limit | 5.65 Nm (50 in lb) on threads |
| Operating Air Gap / Sensing Distance* | 1.5 mm (0.06") |
| * With recommended target type; see drawing | |
| Sensor Orientation | Not sensitive |
| Possible O-ring size | AS568A-114 (varies with application) |

Products

| Part Number | Leads | Connector** |
|-------------|--------------|-----------------------|
| GS101201 | | Delphi Metri-Pack 150 |
| GS101202 | 20 AWG x 1 m | |

**Mates to Delphi connector 12162280

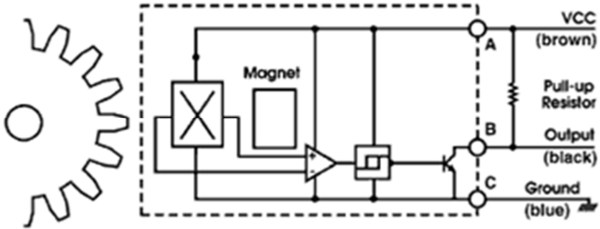


Note: An external pull-up resistor is required, the value of which is dependent on the supply voltage. The resistor should be connected between the output and Vcc. Refer to the wiring diagram for lead colors or pin numbering as applicable.

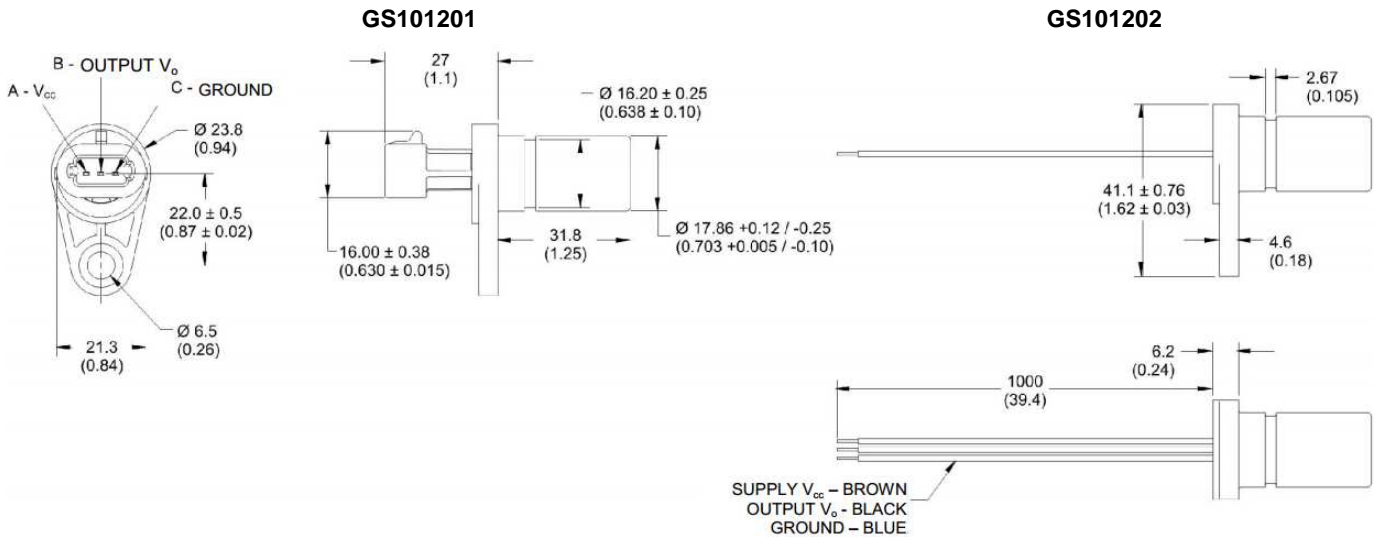
Recommended External Pull-Up Resistor

| | | | | | |
|----------|----|------|------|----|----|
| Volts DC | 5 | 9 | 12 | 15 | 24 |
| Ohms | 1k | 1.8k | 2.4k | 3k | 3k |

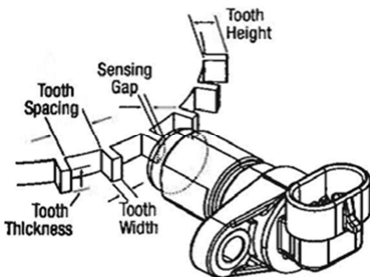
Open Collector Sinking Block Diagram



Dimensions mm (inches)



Installation



For best results, we recommend targets made from low carbon cold rolled steel. Other factors that influence sensor performance include gear tooth height and width, space between the teeth, shape of the teeth and thickness of the target. As a general guideline, consider a target with minimum parameters as shown below. Note that smaller dimensions may work, but testing for the application is required.

| Tooth Height | Tooth Width | Distance between Teeth | Target Thickness |
|----------------|----------------|------------------------|------------------|
| 5.0 mm (.200") | 2.5 mm (.100") | 10 mm (.400") | 6.35 mm (.250") |

